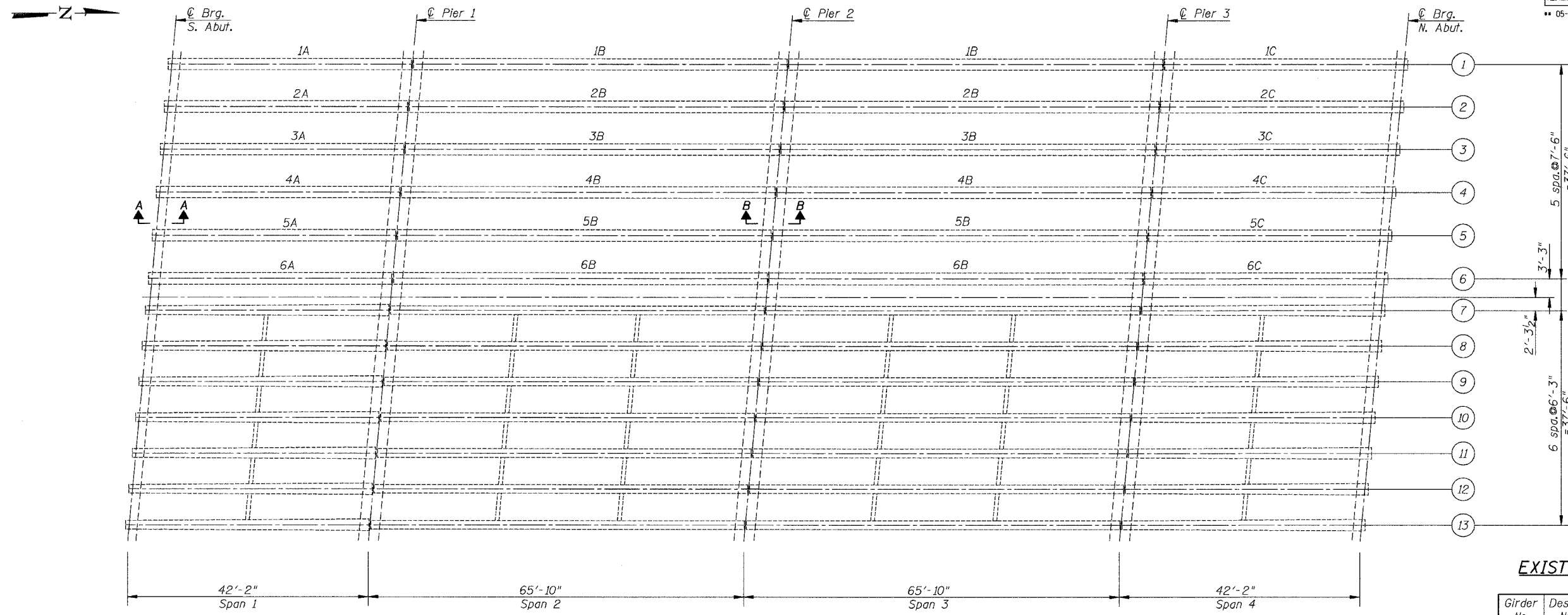


STATE OF ILLINOIS  
DEPARTMENT OF TRANSPORTATION

ROUTE NO.	SECTION	COUNTY	TOTAL SHEETS	SHEET NO.
2585	**	COOK	30	22
F.A.U. DIST. NO. 7		ILLINOIS	FED. AID PROJECT	
05-00068-02-BR		CONTRACT NO 83800		

SHEET NO. S-13  
OF  
S-21 SHEETS

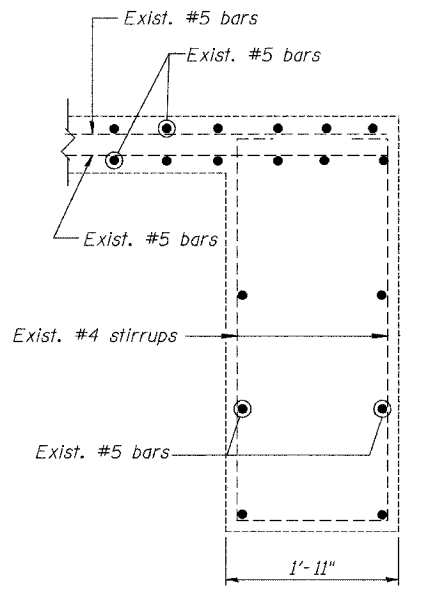


Note:  
Work this sheet with Sheet No. S-14.

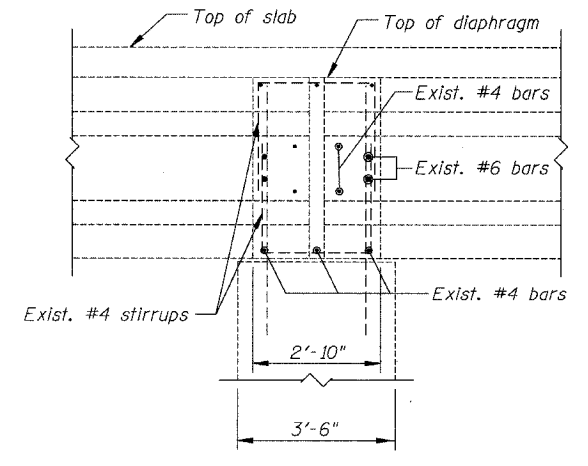
PLAN  
(All existing beams PCC 48")

EXISTING GIRDER DESIGN TABLE

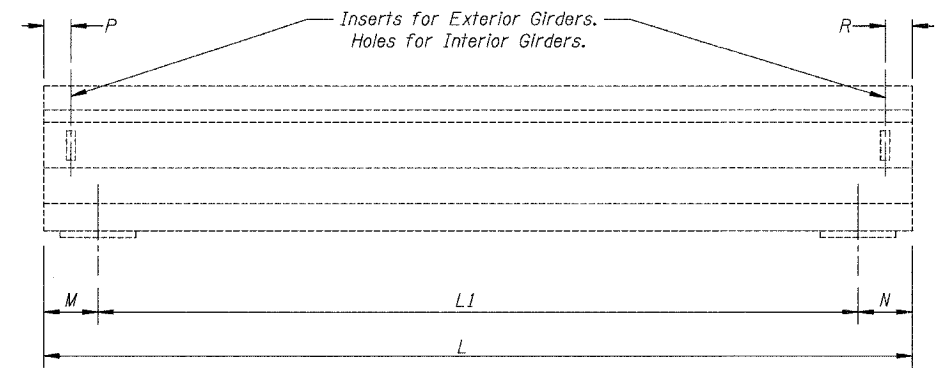
Girder No.	Design No.	Dimensions					
		L	L1	M	N	P	R
1A	2	42'-7 1/2"	---	7 1/2"	---	6"	6"
2A	7	42'-7 1/2"	---	7 1/2"	---	5 1/2"	5 1/2"
3A	7	42'-7 1/2"	---	7 1/2"	---	5 1/2"	5 1/2"
4A	7	42'-7 1/2"	---	7 1/2"	---	5 1/2"	5 1/2"
5A	7	42'-7 1/2"	---	7 1/2"	---	5 1/2"	5 1/2"
6A	2	42'-7 1/2"	---	7 1/2"	---	6"	6"
1B	36	65'-6"	---	---	---	6"	6"
2B	42	65'-6"	---	---	---	5 1/2"	5 1/2"
3B	42	65'-6"	---	---	---	5 1/2"	5 1/2"
4B	42	65'-6"	---	---	---	5 1/2"	5 1/2"
5B	42	65'-6"	---	---	---	5 1/2"	5 1/2"
6B	36	65'-6"	---	---	---	6"	6"
1C	2	42'-7 1/2"	---	7 1/2"	---	6"	6"
2C	7	42'-7 1/2"	---	7 1/2"	---	5 1/2"	5 1/2"
3C	7	42'-7 1/2"	---	7 1/2"	---	5 1/2"	5 1/2"
4C	7	42'-7 1/2"	---	7 1/2"	---	5 1/2"	5 1/2"
5C	7	42'-7 1/2"	---	7 1/2"	---	5 1/2"	5 1/2"
6C	2	42'-7 1/2"	---	7 1/2"	---	6"	6"



SECTION A-A  
(End Diaphragm)




SECTION B-B  
(Diaphragm Over Piers)



EXISTING GIRDER ELEVATION

EXISTING FRAMING PLAN  
MEACHAM ROAD OVER NORTHWEST TOLLWAY  
F.A.U. ROUTE 2585 SECTION 05-00068-02-BR  
COOK COUNTY  
STA. 285 + 04.18  
STRUCTURE NO. 016-0676


 DESIGNED: SCHELBAN/AYARGICOGU  
 DRAWN: SCHELBAN/AYARGICOGU  
 CHECKED: RALEE