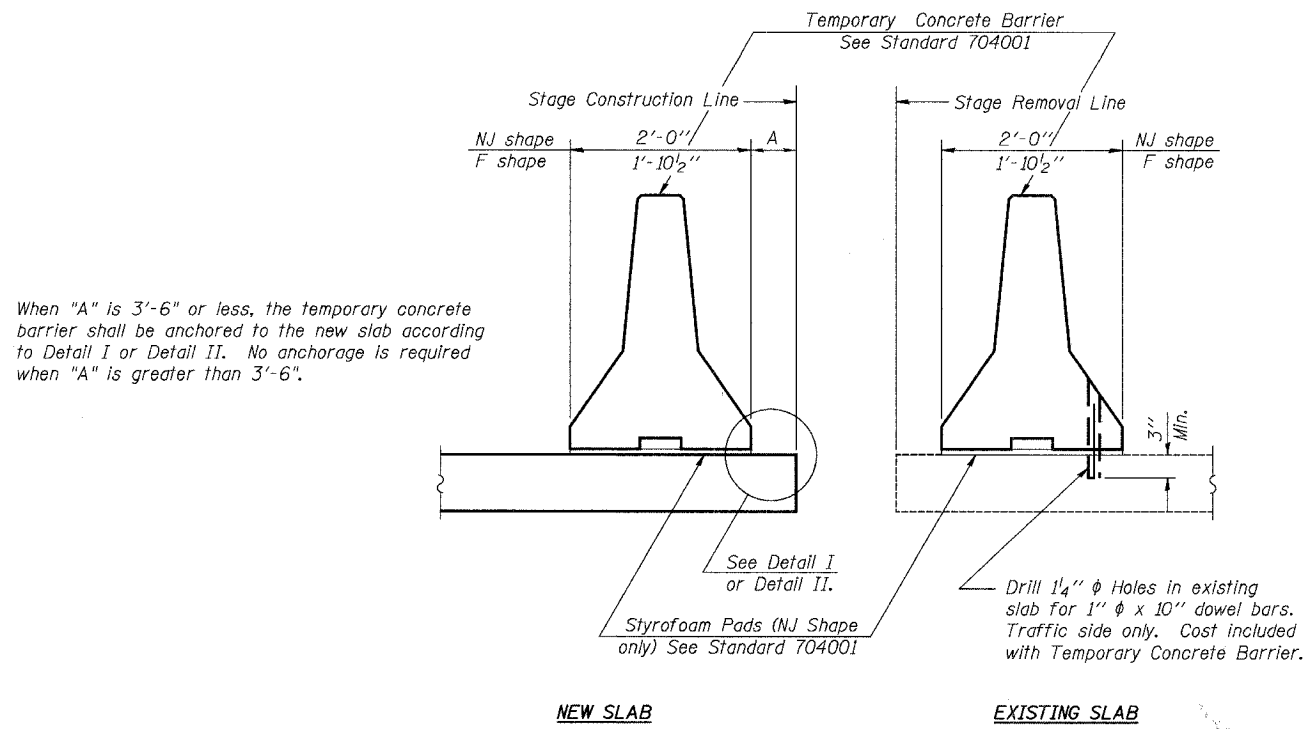


STATE OF ILLINOIS
DEPARTMENT OF TRANSPORTATION

ROUTE NO.	SECTION	COUNTY	TOTAL SHEETS	SHEET NO.
FALL WYE 2585	**	COOK	30	30
FED. ROAD DIST. NO. 7	ILLINOIS		FED. AID PROJECT	
** 05-00068-02-BR			CONTRACT NO 83600	

SHEET NO. S-21
OF
S-21 SHEETS

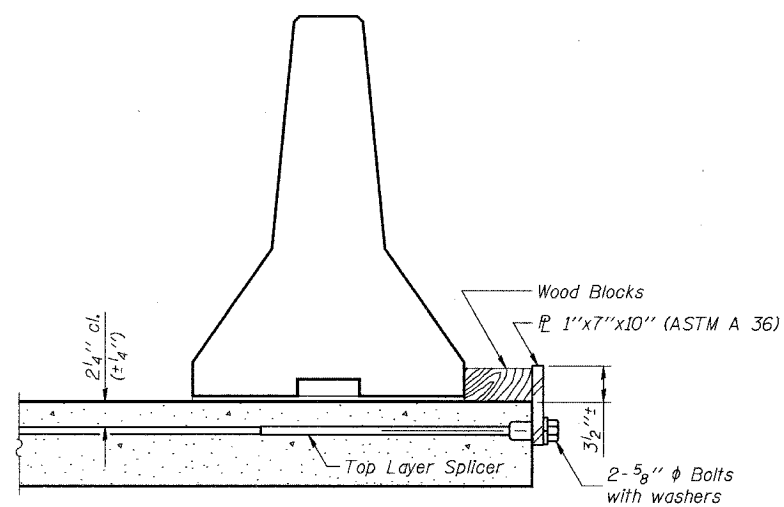


NOTES

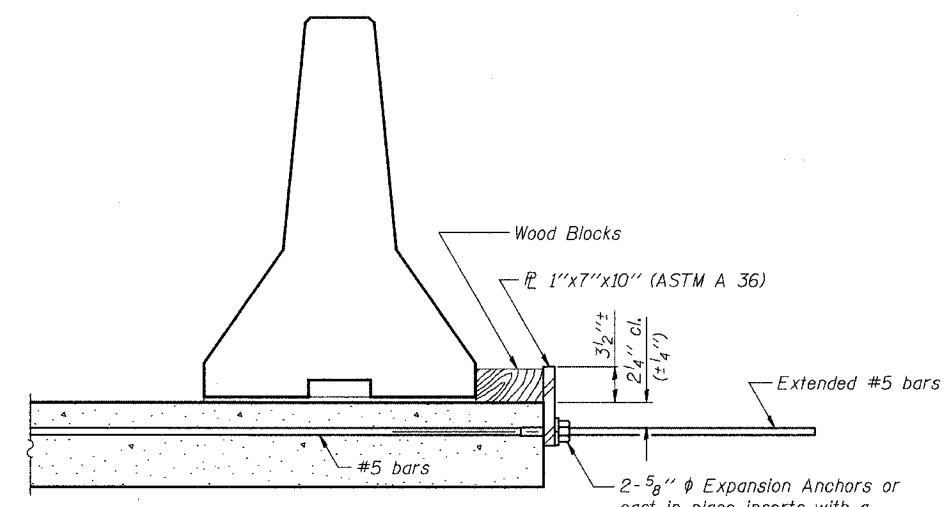
Detail I - With Bar Splicer or Couplers:
Connect one (1) 1"x7"x10" steel PL to the top layer of couplers with 2-5/8" φ bolts screwed to coupler at approximate C of each barrier panel.

Detail II - With Extended Reinforcement Bars:
Connect one (1) 1"x7"x10" steel PL to the concrete slab with 2-5/8" φ Expansion Anchors or cast in place inserts spaced between the top layer of reinforcement at approximate C of each barrier panel.

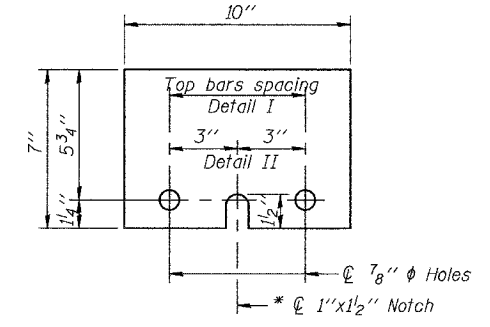
Cost of anchorage is included with Temporary Concrete Barrier.



The 1"x7"x10" Plate shall not be removed until Stage II Construction forms and reinforcement bars are in place.



The 1"x7"x10" Plate shall not be removed until Stage II Construction forms and all reinforcement bars are in place and the concrete is ready to be placed.



* Required only with Detail II

TEMPORARY CONCRETE BARRIER
FOR STAGE CONSTRUCTION
MEACHAM ROAD OVER NORTHWEST TOLLWAY
F.A.U. ROUTE 2585 SECTION 05-00068-02-BR

BILL OF MATERIAL

Item	Unit	Quantity
Temporary Concrete Barrier	Foot	460

COOK COUNTY
STA. 285 + 04.18
STRUCTURE NO. 016-0676

MACTEC
DESIGNED:
DRAWN: SCHELBIAH/AYARGICUGLU
CHECKED: PLEE