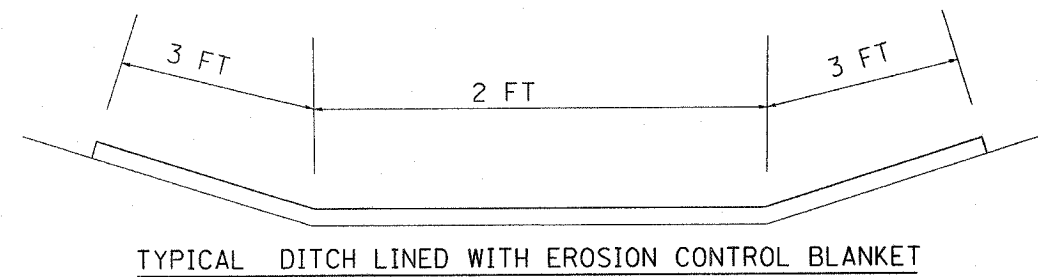
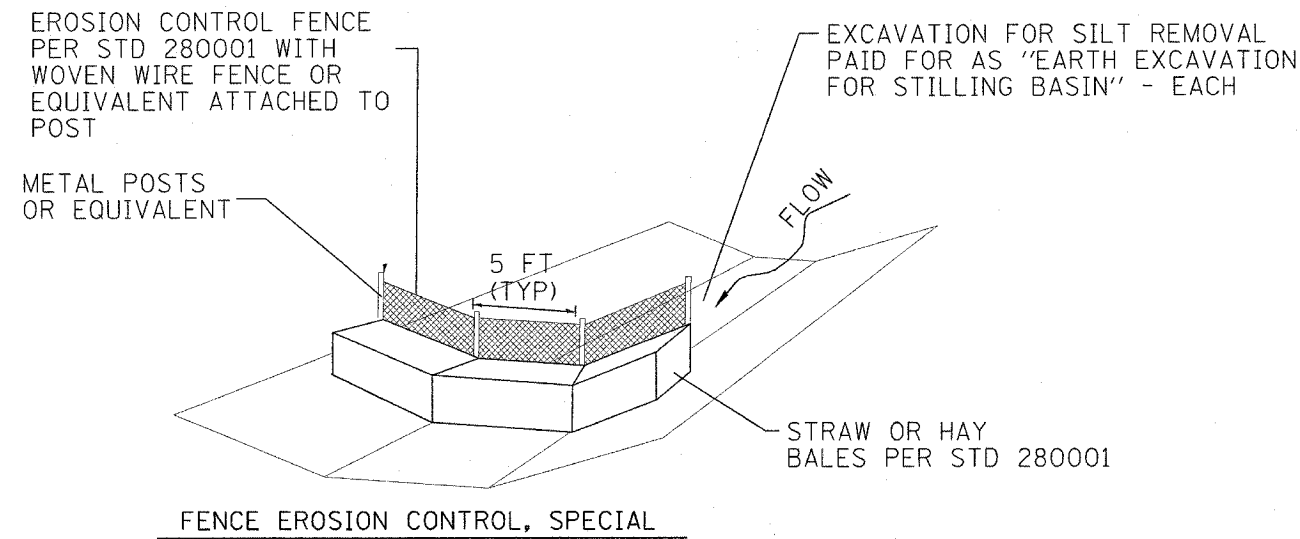
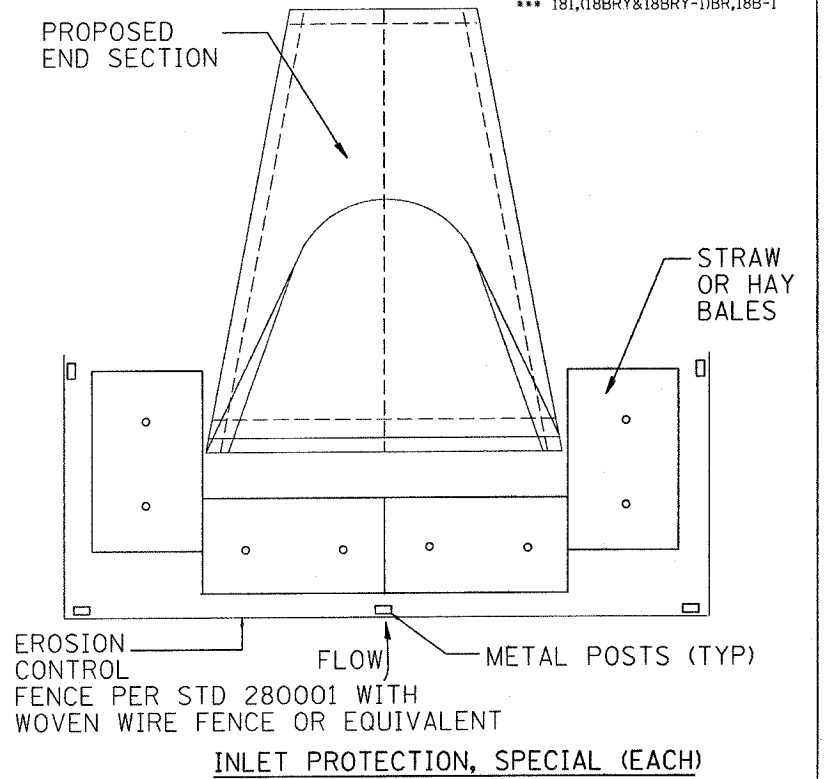
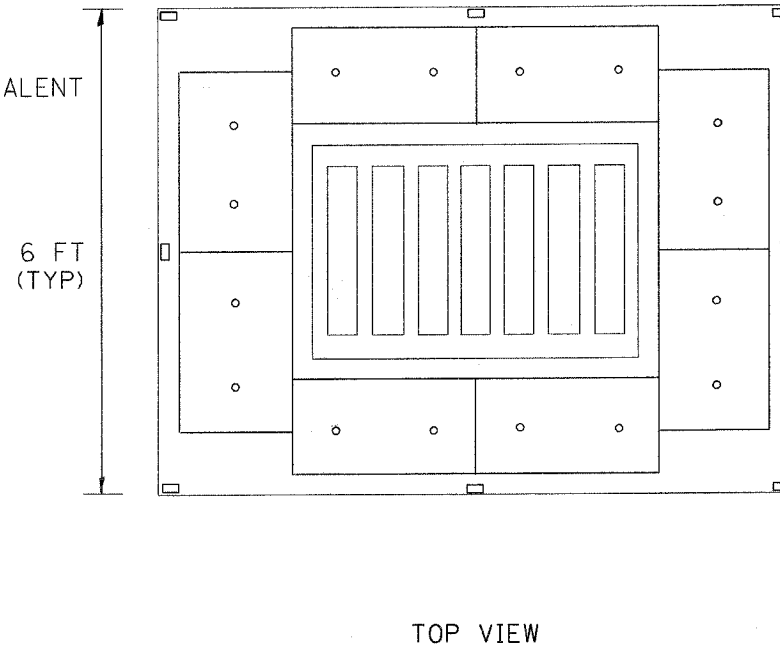
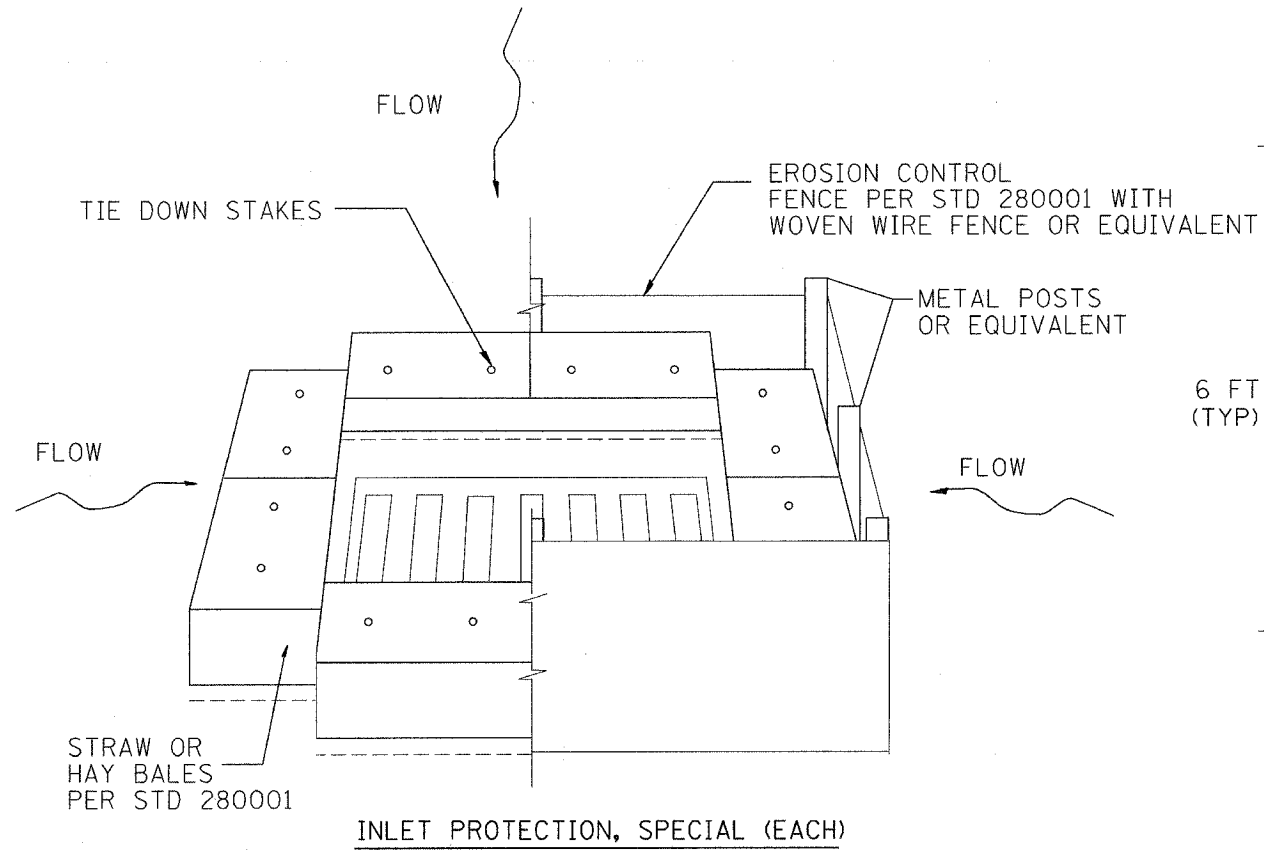


F.A.P. RTE.	SECTION	COUNTY	TOTAL SHEETS	SHEET NO.
317	***	FULTON	604	120
STA.		TO STA.		
FED. ROAD DIST. NO.		ILLINOIS FED. AID PROJECT		
*** 181, (18BRY & 18BRY-1) BR, 18B-1				



REVISIONS	
NAME	DATE

ILLINOIS DEPARTMENT OF TRANSPORTATION  
**EROSION CONTROL DETAILS**  
 SCALE: VERT. \_\_\_\_\_  
 DATE \_\_\_\_\_  
 DRAWN BY \_\_\_\_\_  
 CHECKED BY \_\_\_\_\_

PLOT DATE = 4/7/2005  
 FILE NAME = c:\projects\us24\scen.ph-2\distal\er-rosion\er-rosion.dgn  
 SCALE = 1/8" = 1'-0"  
 USER = jraggs