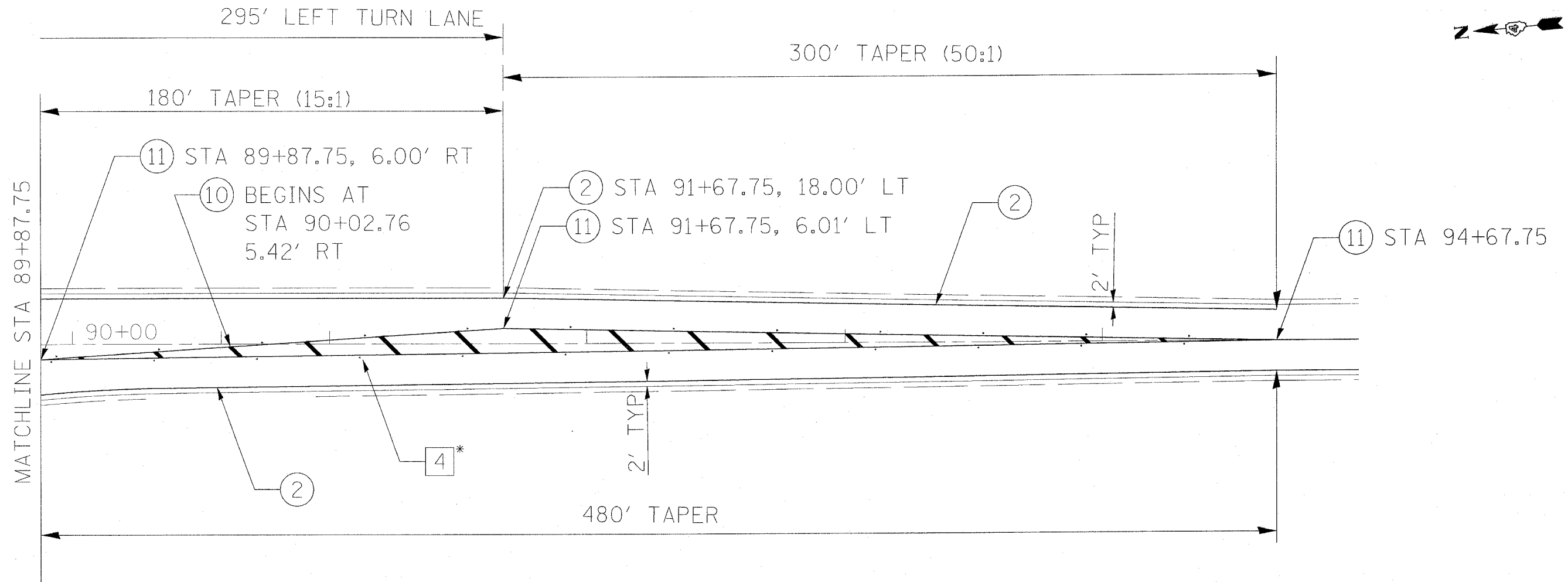
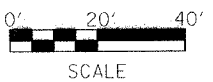
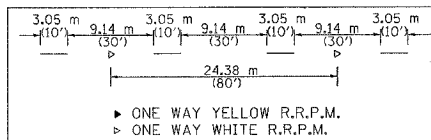


F.A.P. RTE.	SECTION	COUNTY	TOTAL SHEETS	SHEET NO.
317	...	FULTON	684	137
STA.		TO STA.		
FED. ROAD DIST. NO.		ILLINOIS FED. AID PROJECT		
... 181, (18BRY&18BRY-1)BR, 18B-1				



PAVEMENT MARKING LEGEND		RAISED REFLECTIVE PAVEMENT MARKERS (RRPM)	
① 100 (4) SOLID (YELLOW)		① ONE-WAY CRYSTAL MARKER AT 24.38 m(80') CENTERS	
② 100 (4) SOLID (WHITE)		② ONE-WAY CRYSTAL MARKER AT 12.19 m(40') CENTERS	
③ 150 (6) SOLID (WHITE)		③ ONE-WAY CRYSTAL MARKER AT 6.10 m(20') CENTERS	
④ 150 (6) SKIP DASH (WHITE)		④ ONE-WAY AMBER MARKER AT 12.19 m(40') CENTERS	
⑤ 200 (8) SOLID (WHITE)		⑤ TWO-WAY AMBER MARKER AT 12.19 m(40') CENTERS FOR SPEEDS LESS THAN 45 MPH	
⑥ 300 (12) DIAGONAL (WHITE)		⑥ TWO-WAY AMBER MARKER AT 24.38 m(80') CENTERS FOR SPEEDS GREATER THAN 45 MPH	
⑦ 600 (24) STOP BAR (WHITE)		⑦ ONE-WAY CRYSTAL MARKER	
⑧ LETTERS AND ARROWS		⑧ ONE-WAY AMBER MARKER	
⑨ 100 (4) SKIP DASH (YELLOW)		DELINEATORS	
⑩ 300 (12) DIAGONAL (YELLOW)		▬ DELINEATOR WITH TWO AMBER REFLECTORS	
⑪ 100 (4) DOUBLE (YELLOW)		▬ DELINEATOR WITH THREE AMBER REFLECTORS	
		All dimensions are in millimeters (inches) unless otherwise shown.	



REVISIONS		ILLINOIS DEPARTMENT OF TRANSPORTATION	
NAME	DATE	PAVEMENT MARKING DETAIL US 24/US 136	
		SCALE: VERT. _____	
		DATE _____	
		DRAWN BY _____	
		CHECKED BY _____	

* SEE STANDARD 781001 FOR RAISED REFLECTIVE PAVEMENT MARKING DETAILS