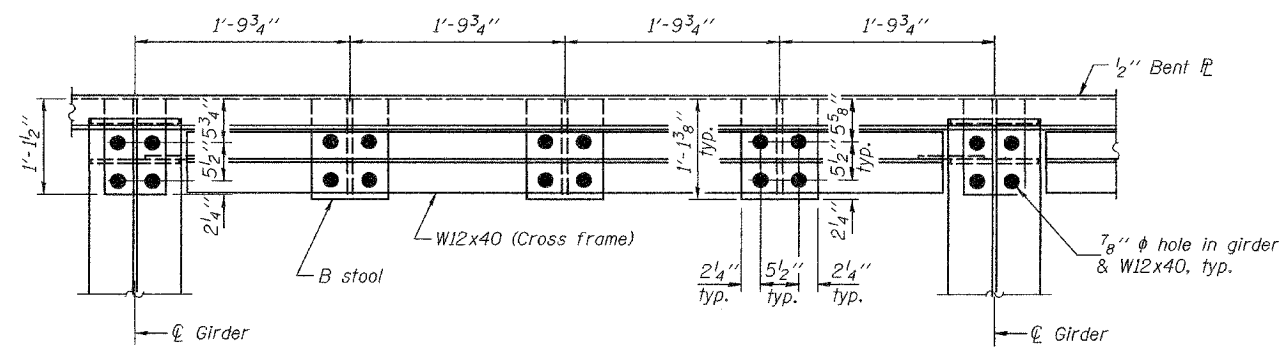
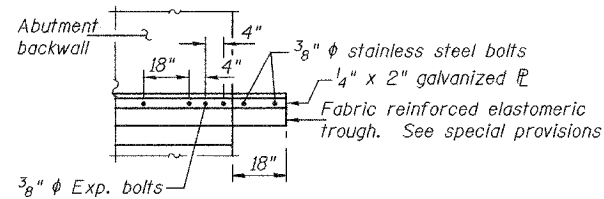
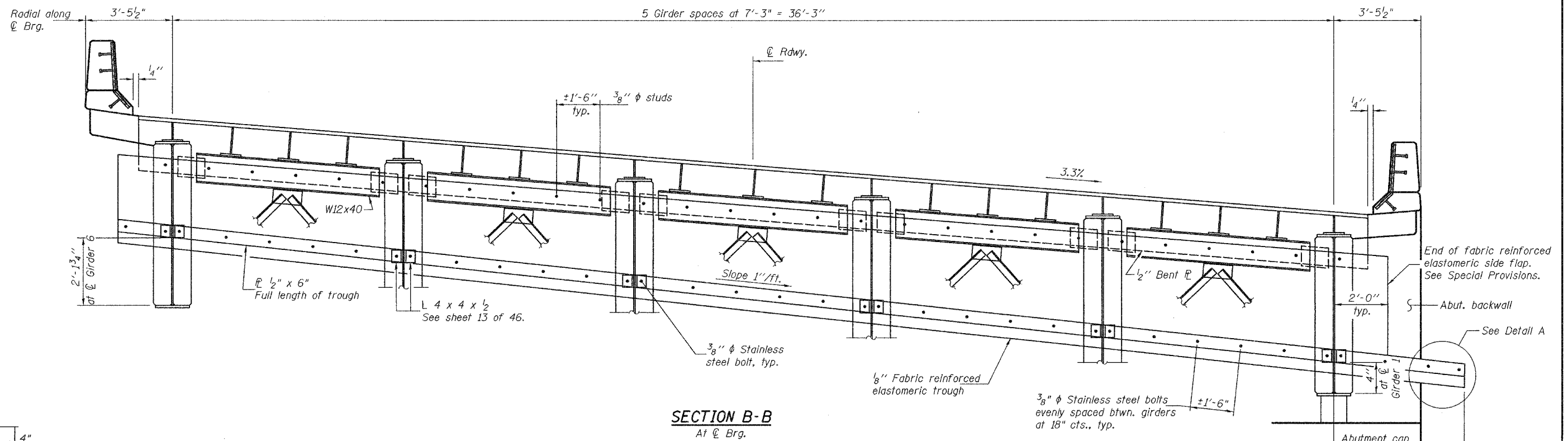
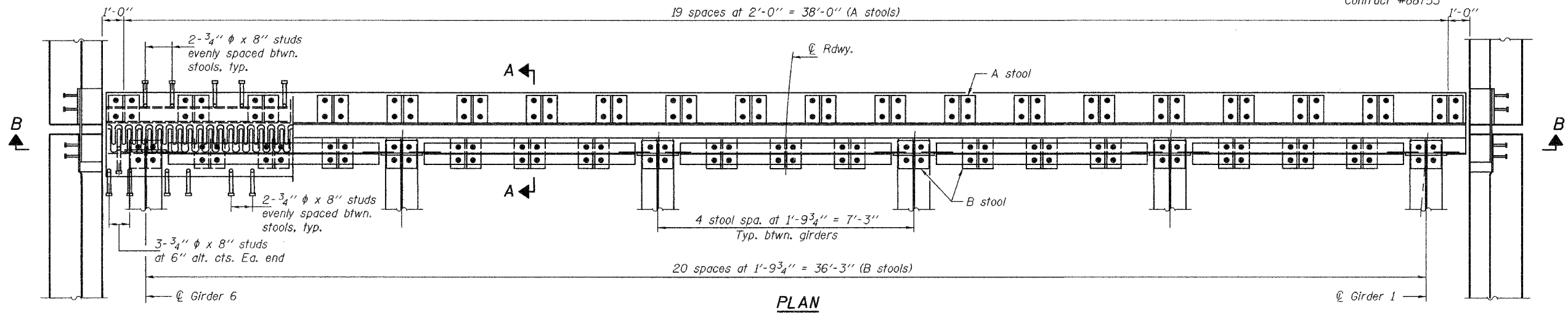


STATE OF ILLINOIS  
DEPARTMENT OF TRANSPORTATION

ROUTE NO.	SECTION	COUNTY	SHEET NO.	SHEET
FAP 315	(18BRY-DBR)	FULTON	178	46 SHEETS
FED. ROAD DIST. NO. 7	ILLINOIS	FED. AID PROJECT		

Contract #88753



Notes: For Section A-A, see sheet 13 of 46.

DESIGNED	RJC/DPN
CHECKED	FT
DRAWN	h.t. parsons
CHECKED	RJC/FT

May 16, 2005

EXAMINED *Thomas J. Domagala*  
ENGINEER OF BRIDGE DESIGN

PASSED *Ralph E. Anderson*  
ENGINEER OF BRIDGES AND STRUCTURES

**NORTH ABUTMENT JOINT DETAILS**  
**F.A.P. RTE. 315 - SEC. (18BRY-DBR)**  
**FULTON COUNTY**  
**STATION 74+09.000**  
**STRUCTURE NO. 029-0068**