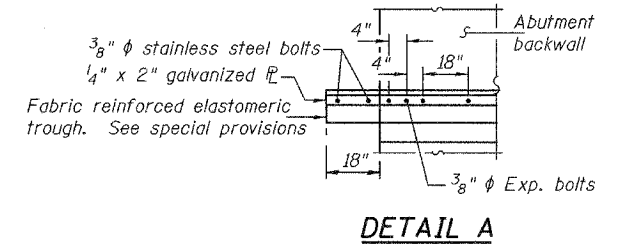
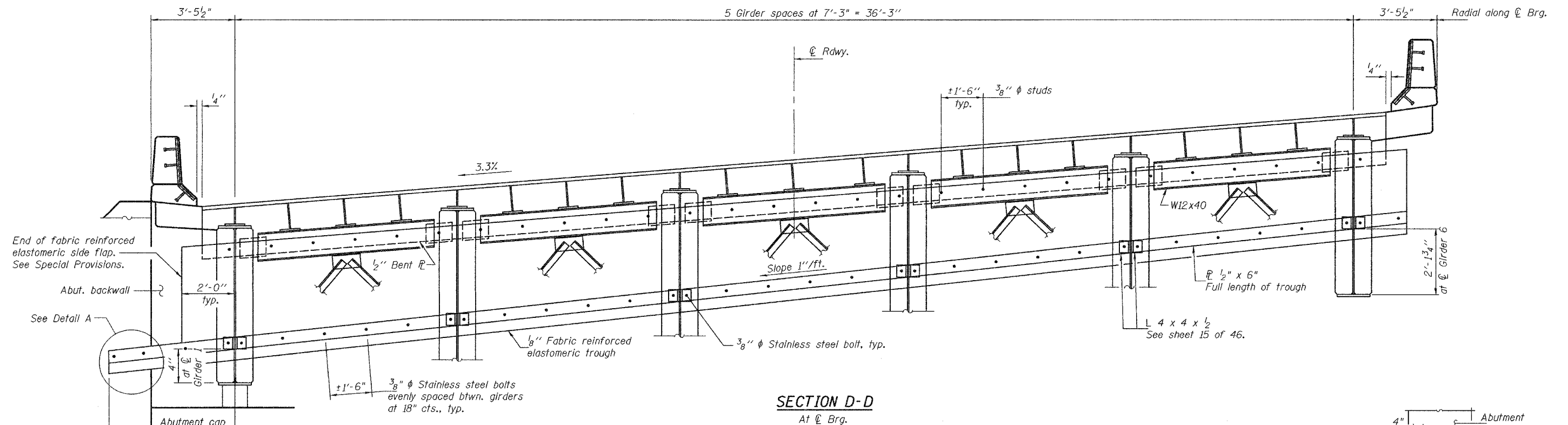
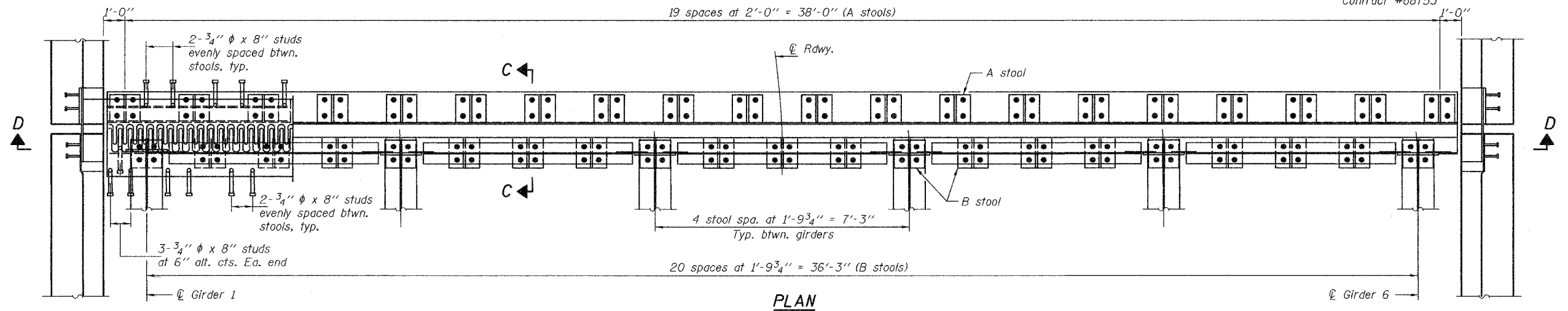


STATE OF ILLINOIS  
DEPARTMENT OF TRANSPORTATION

ROUTE NO.	SECTION	COUNTY	DATE	SHEET	SHEET NO. 16
FAP 315	18BRY-1BR	FULTON		180	46 SHEETS
FED. ROAD DIST. NO. 7	ILLINOIS	FED. AID PROJECT-			

Contract #88753



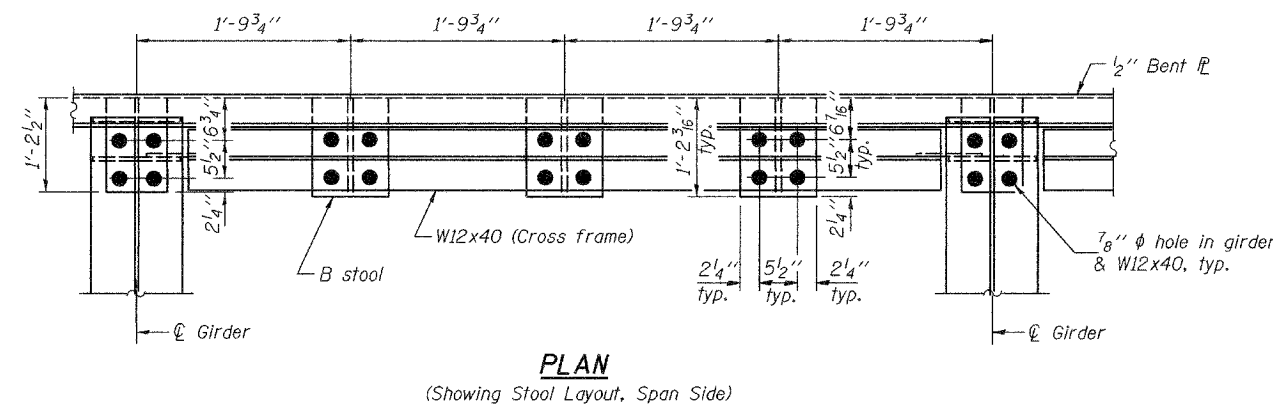
Note: For Section C-C, see sheet 15 of 46.

DESIGNED	RJC/DPN
CHECKED	FT
DRAWN	h.f. parsons
CHECKED	RJC/FT

May 16, 2005

EXAMINED *Thomas J. Romagallo*  
ENGINEER OF BRIDGE DESIGN

PASSED *Ralph E. Anderson*  
ENGINEER OF BRIDGES AND STRUCTURES



SOUTH ABUTMENT JOINT DETAILS  
F.A.P. RTE. 315 - SEC. (18BRY-1)BR  
FULTON COUNTY  
STATION 74+09.00  
STRUCTURE NO. 029-0068