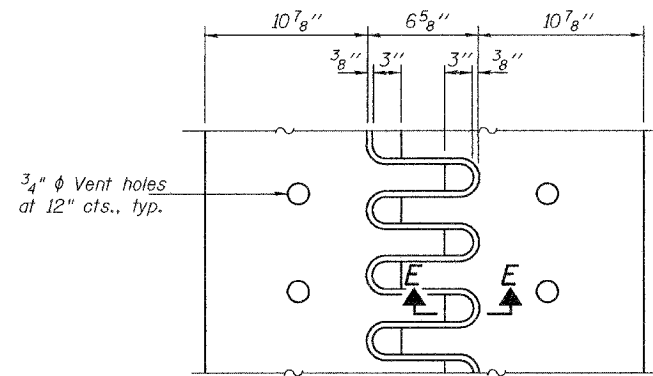


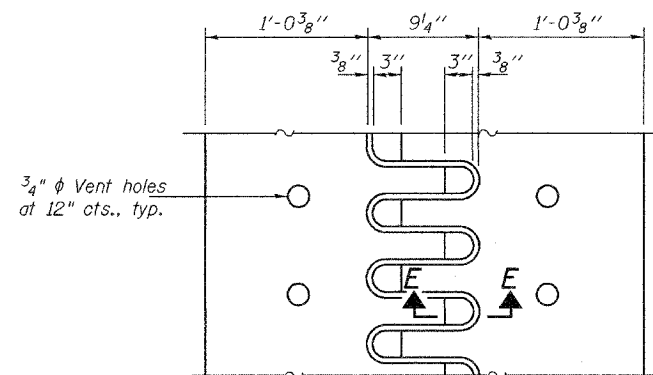
STATE OF ILLINOIS
DEPARTMENT OF TRANSPORTATION

ROUTE NO.	SECTION	COUNTY	TOTAL SHEETS	SHEET NO.
FAP 315	(18BRY-1)BR	FULTON	18	17
FED. ROAD DIST. NO. 7	ILLINOIS	FED. AID PROJECT-		46 SHEETS

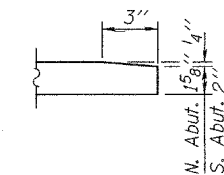
Contract #88753



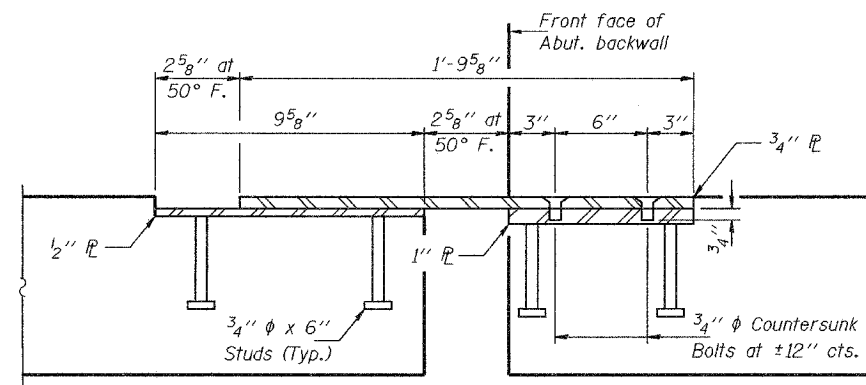
FINGER DETAILS
AT NORTH ABUTMENT



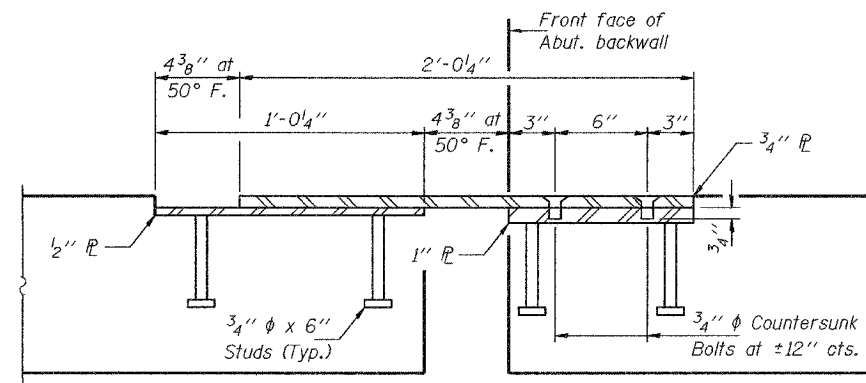
FINGER DETAILS
AT SOUTH ABUTMENT



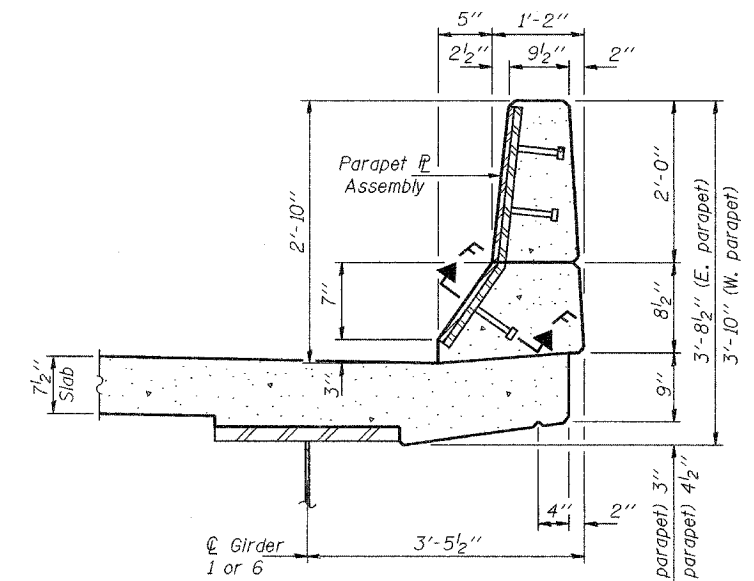
SECTION E-E



SECTION F-F
PARAPET PLATE ASSEMBLY DETAIL
AT NORTH ABUTMENT



SECTION F-F
PARAPET PLATE ASSEMBLY DETAIL
AT SOUTH ABUTMENT



SECTION THRU PARAPET

DESIGNED	RJC/DPN
CHECKED	FT
DRAWN	h.t. parsons
CHECKED	RJC/FT

May 16, 2005
EXAMINED *Thomas J. Domagala*
ENGINEER OF BRIDGE DESIGN
PASSED *Ralph E. Anderson*
ENGINEER OF BRIDGES AND STRUCTURES

EXPANSION JOINT DETAILS
F.A.P. RTE. 315 - SEC. (18BRY-1)BR
FULTON COUNTY
STATION 74+09.000
STRUCTURE NO. 029-0068