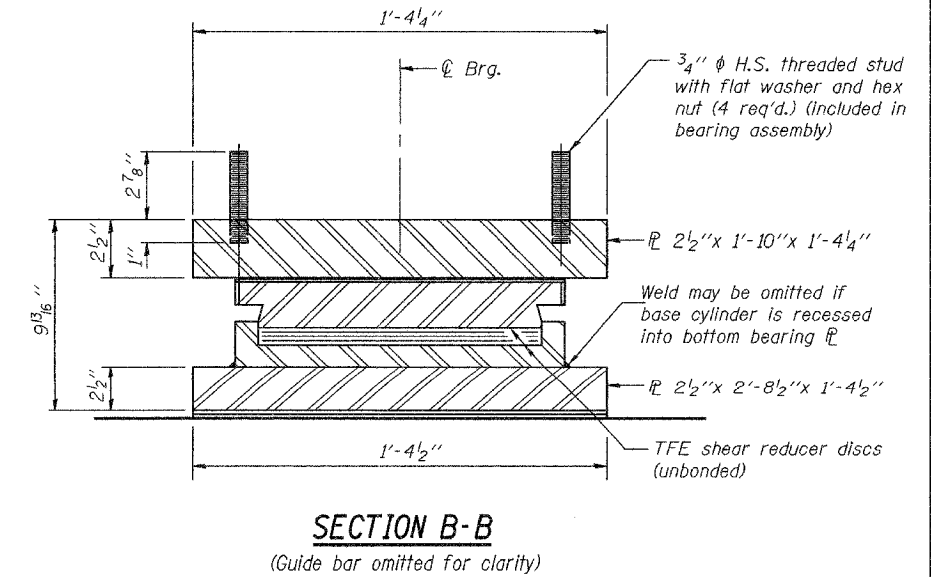
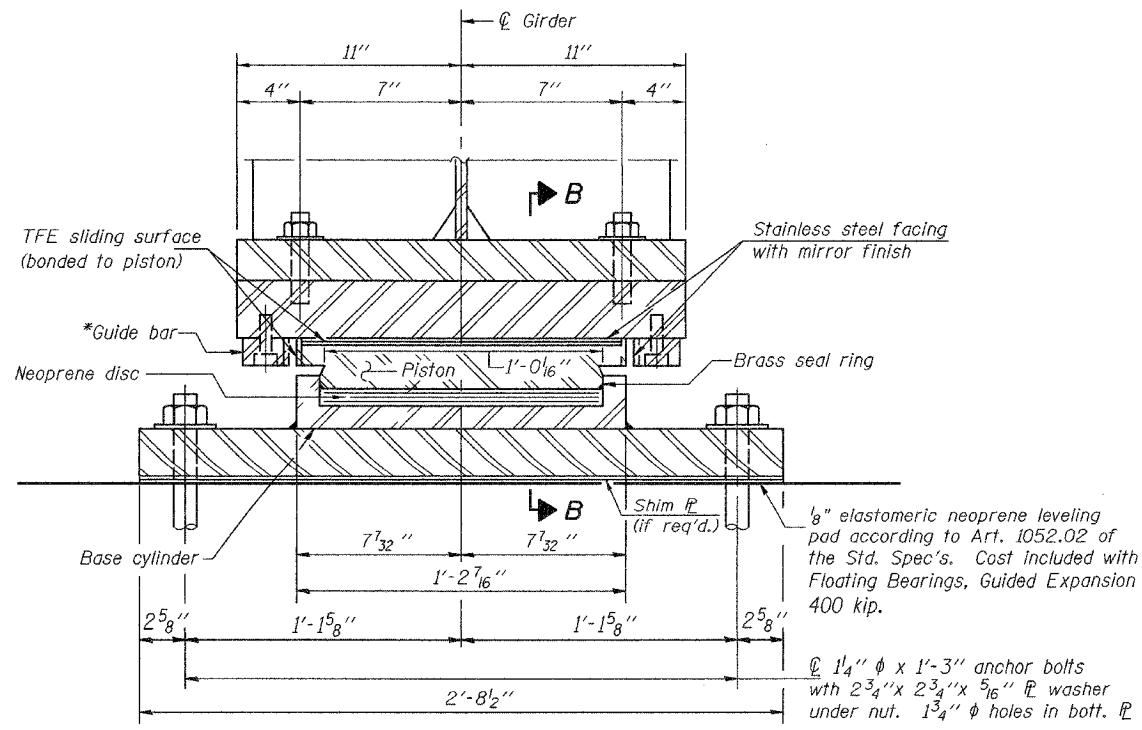
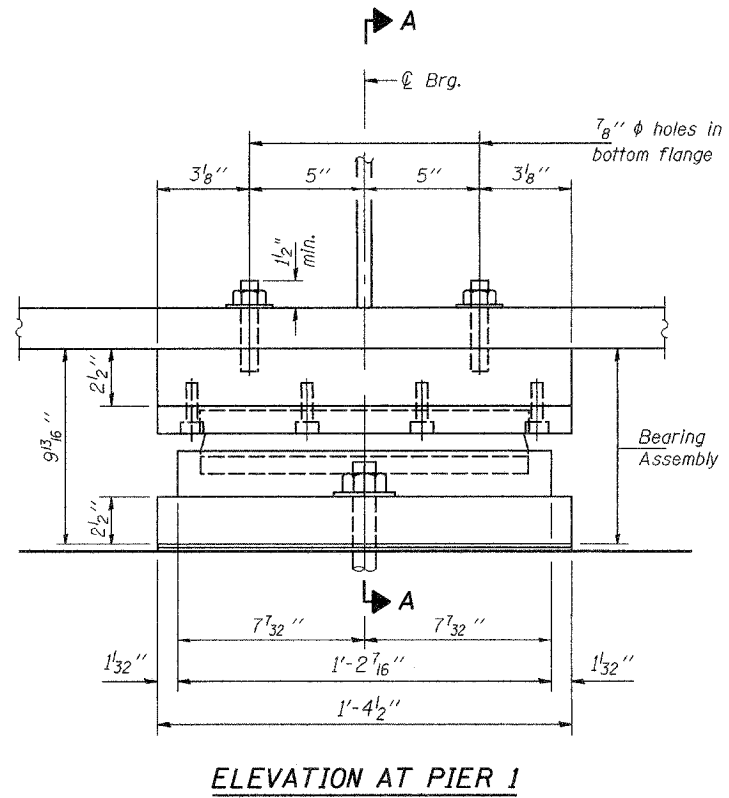


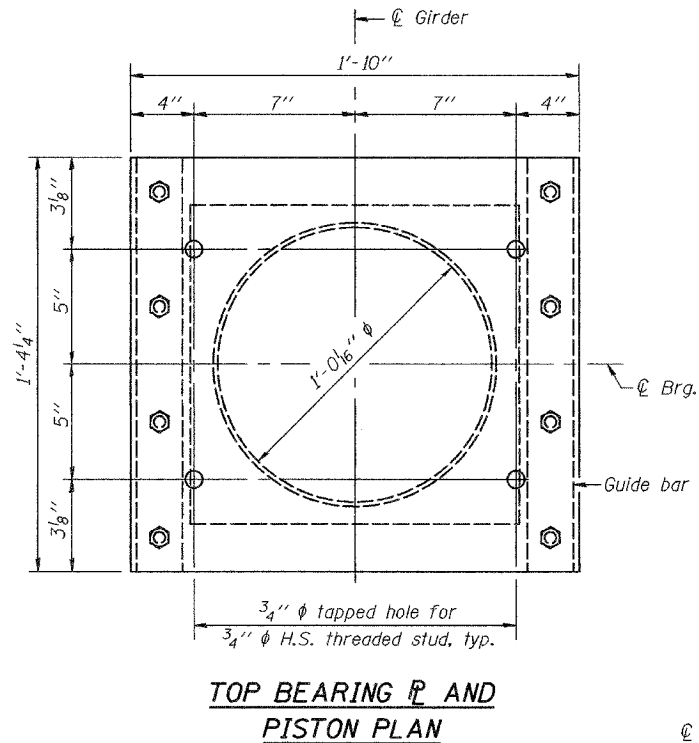
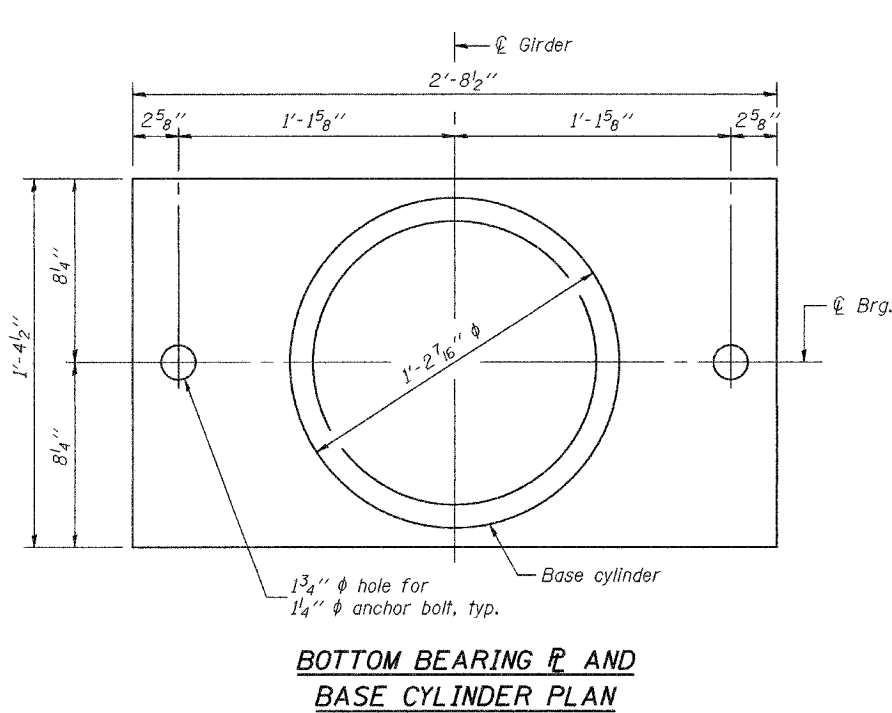
STATE OF ILLINOIS
DEPARTMENT OF TRANSPORTATION

ROUTE NO.	SECTION	COUNTY	STATE SHEETS	SHEET	SHEET NO. 26 46 SHEETS
FAP 315	(18BRY-1)BR	FULTON		190	
FED. ROAD DIST. NO. 7	ILLINOIS	FED. AID PROJECT-			
Contract #88753					



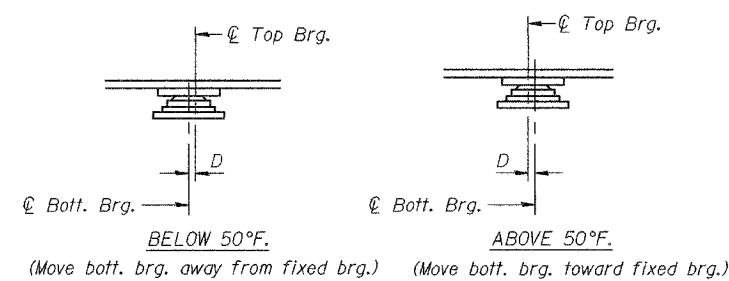
GUIDED EXPANSION FLOATING BEARING

*As alternates to the bolted connection shown, the guide bars may be connected to the top bearing plate by groove welds or the guide bars and top bearing plate may be fabricated as a single piece.



BEARING DATA	
Vertical design load	358 kip
Total required movement	2''

Notes: The plates of the Bearing Assembly shall be AASHTO M270, Grade 50.
For anchor bolt installation details, see sheet 30 of 46.



SETTING ANCHOR BOLTS AT EXP. BRG.

D = $1/8''$ per each 100' of expansion for every 15° temp. change from the normal temp. of 50°F.

BILL OF MATERIAL

Item	Unit	Total
Floating Bearings, Guided Expansion 400 kip	Each	6

BEARING DETAILS - PIER 1
F.A.P. RTE. 315 - SEC. (18BRY-1)BR
FULTON COUNTY
STATION 74+09.000
STRUCTURE NO. 029-0068

DESIGNED	MJT
CHECKED	DPN
DRAWN	h.t. parsons
CHECKED	MJT/DPN

May 16, 2005
EXAMINED *Thomas J. Damagala*
ENGINEER OF BRIDGE DESIGN
PASSED *Ralph E. Anderson*
ENGINEER OF BRIDGES AND STRUCTURES