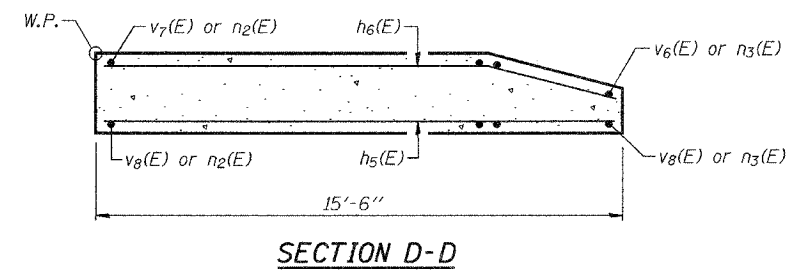
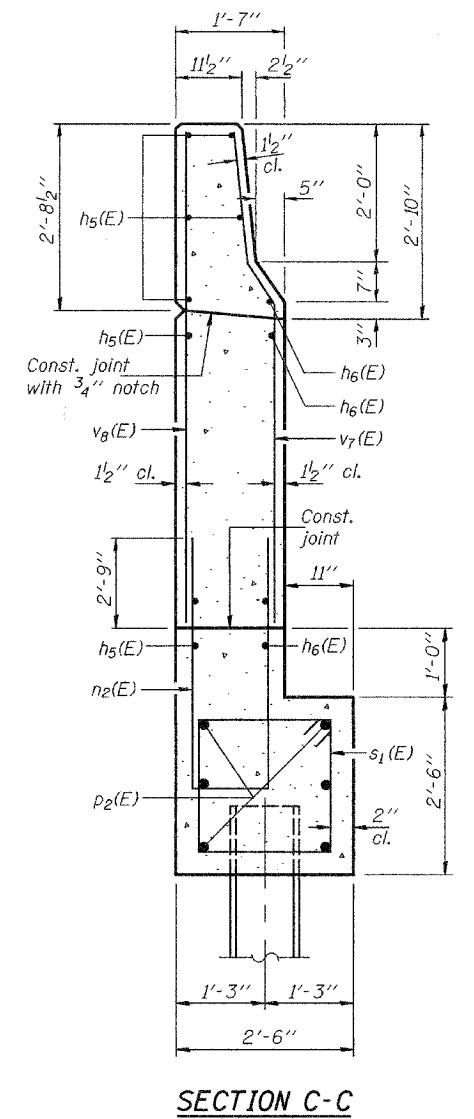
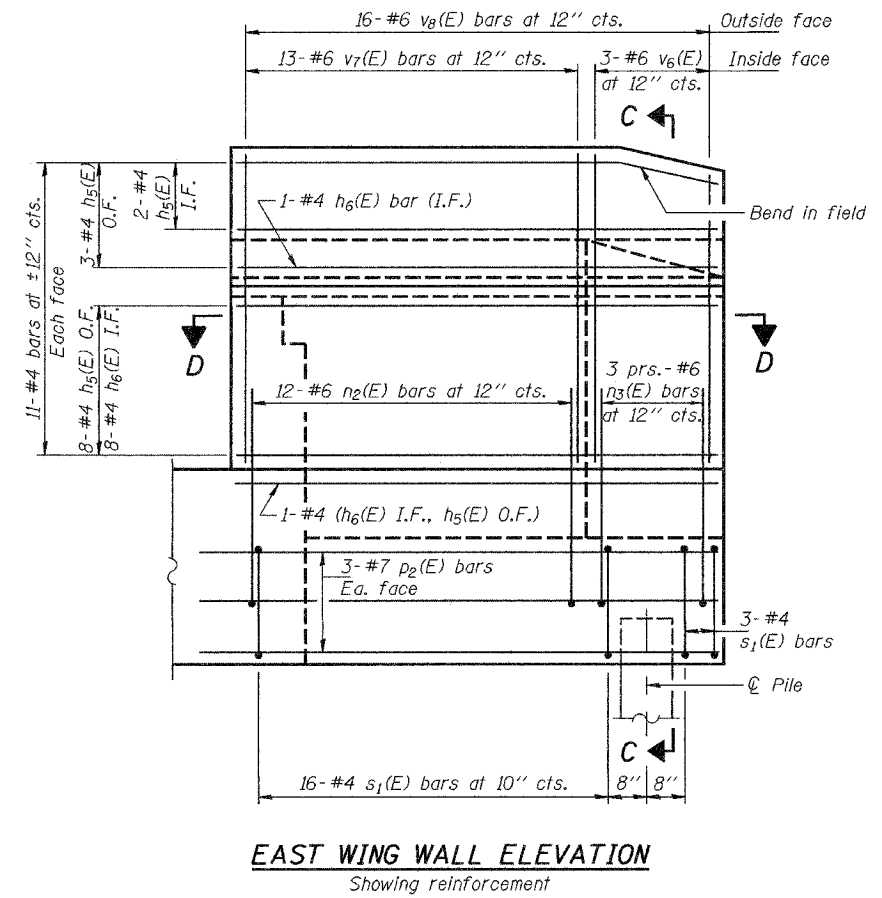
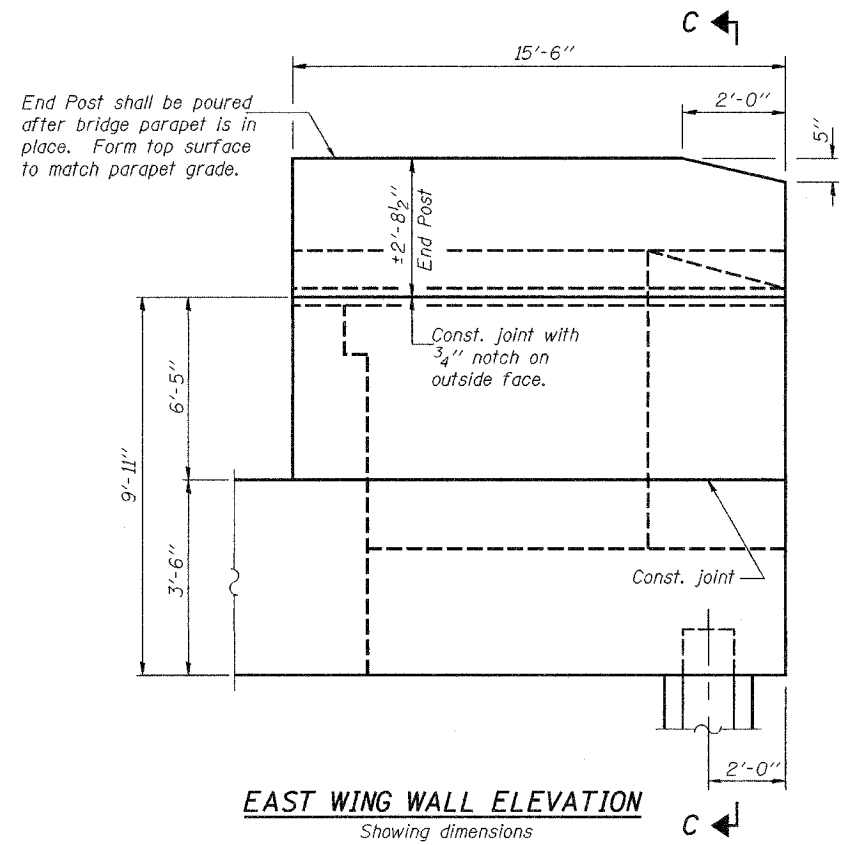


STATE OF ILLINOIS
DEPARTMENT OF TRANSPORTATION

ROUTE NO.	SECTION	COUNTY	DATE	SHEET	SHEET NO. 34 46 SHEETS
FAP 315	(18BRY-1)BR	FULTON		198	
FED. ROAD DIST. NO. 7	ILLINOIS	FED. AID PROJ. NO.	Contract #88753		



Notes: Reinforcement bars designated (E) shall be epoxy coated.
Quantity of concrete in end post included with Concrete Superstructure on sheet 11 of 46.
See sheet 33 of 46 for Section thru Abutment.

DESIGNED	SMR
CHECKED	FT
DRAWN	h.t. parsons
CHECKED	SMR/FT

May 16, 2005
EXAMINED *Thomas J. Damagala*
PASSED *Ralph E. Anderson*
ENGINEER OF BRIDGES AND STRUCTURES

NORTH ABUTMENT DETAILS
EAST WING WALL
F.A.P. RTE. 315 - SEC. (18BRY-1)BR
FULTON COUNTY
STATION 74+09.000
STRUCTURE NO. 029-0068