

STATE OF ILLINOIS
DEPARTMENT OF TRANSPORTATION

ROUTE NO.	SECTION	COUNTY	TOTAL SHEETS	SHEET NO.
FAP 315	18BRY-1DBR	FULTON	46	39
FED. ROAD DIST. NO. 7	ILLINOIS	FED. AID PROJECT		

Contract #88753

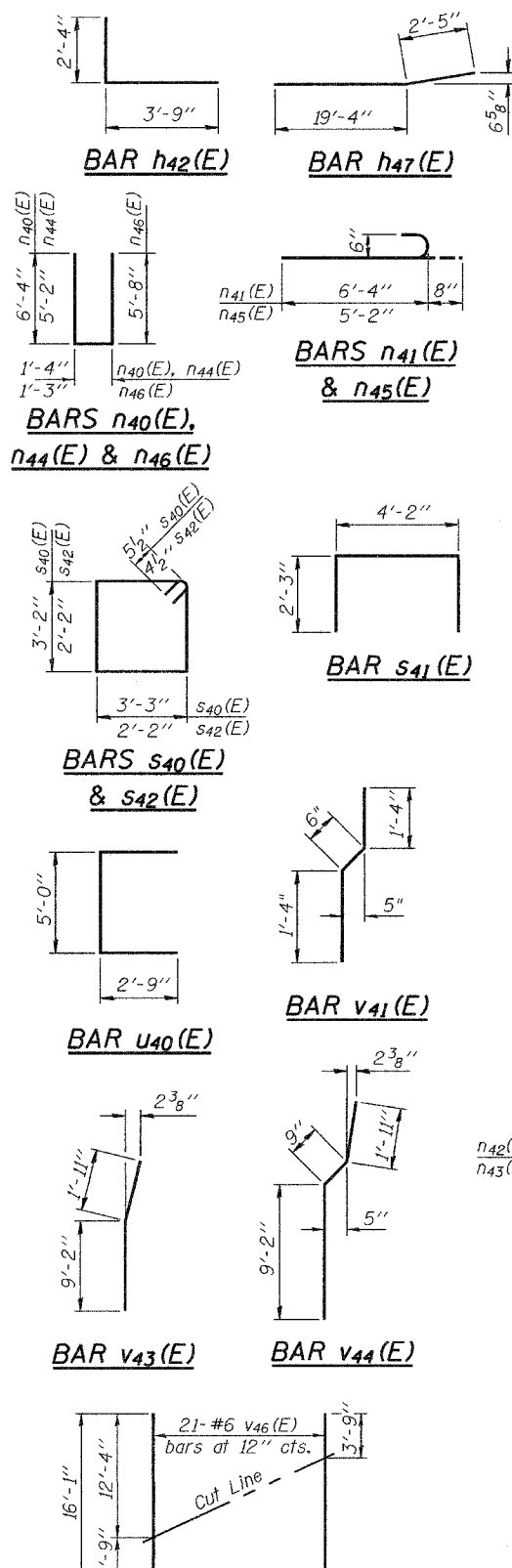
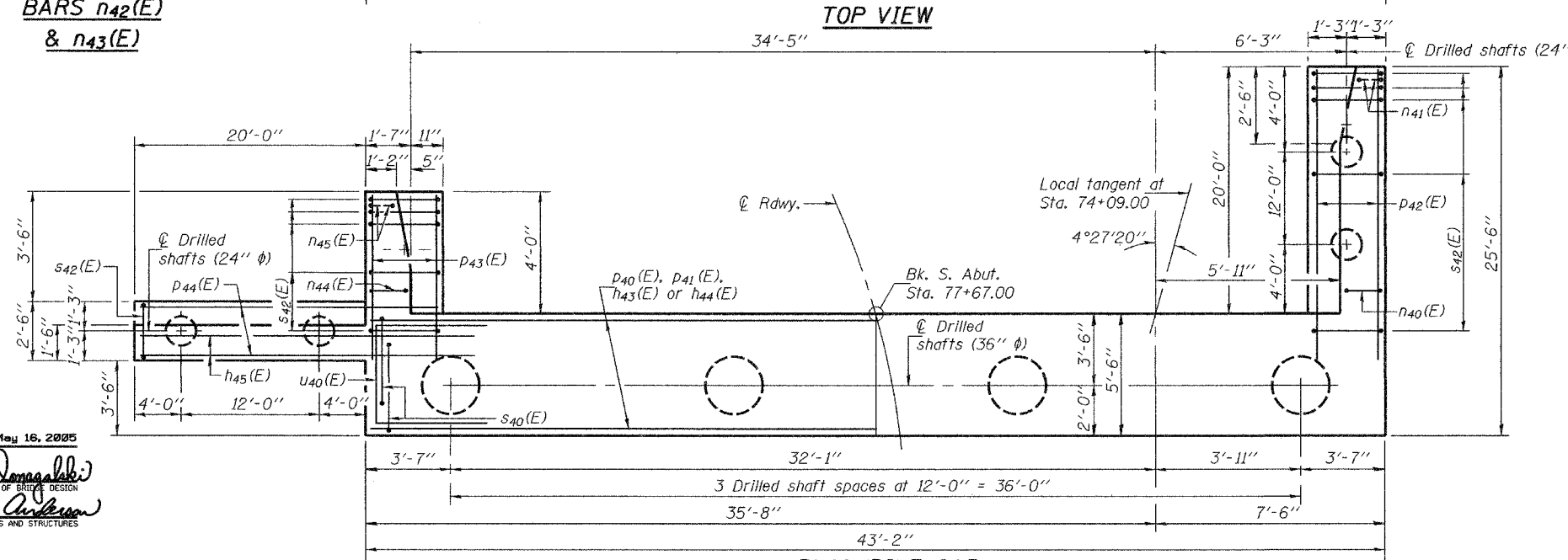
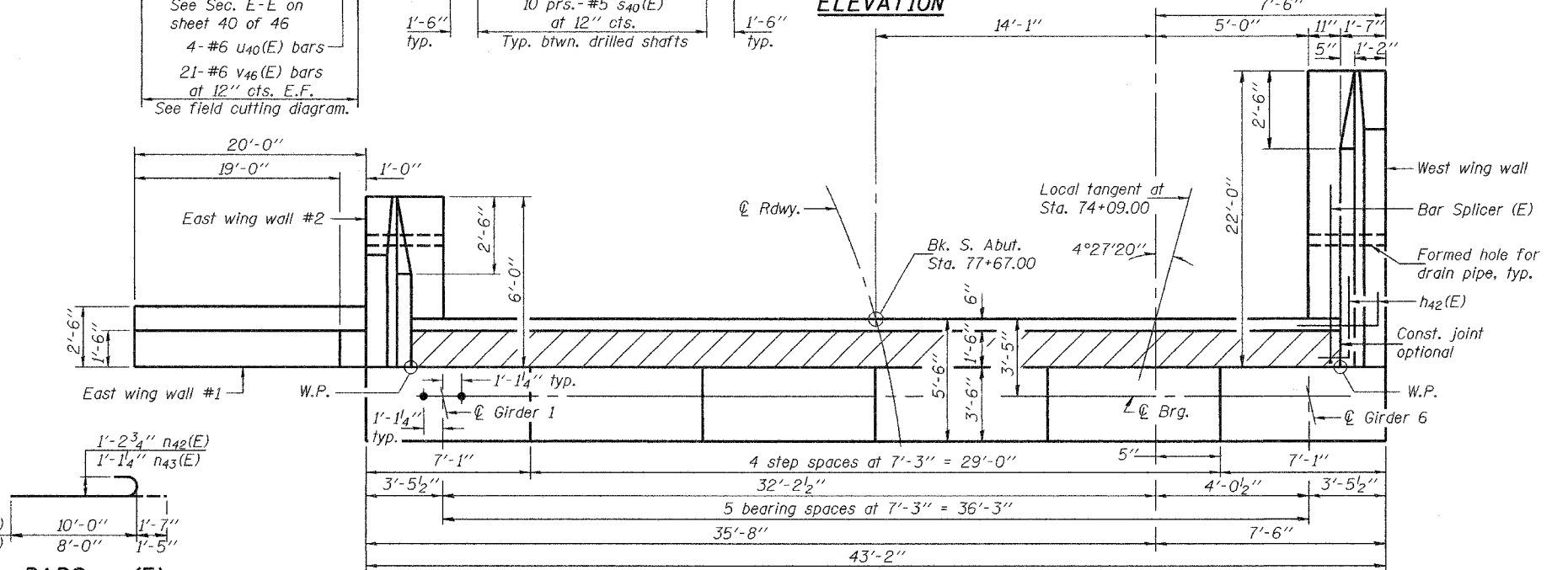
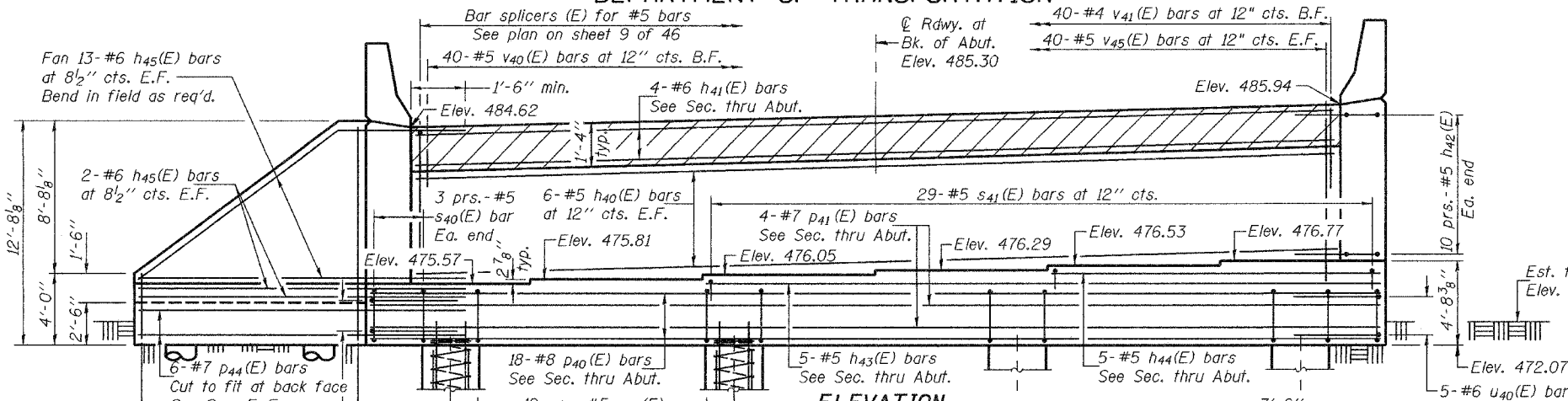
Notes: Four steps monolithically with cap.
Reinforcement bars designated (E) shall be epoxy coated.
For bar splicers details see sht. 42 of 46.
For anchor bolt installation, see sheet 30 of 46.
For Section thru Abut. see sheet 41 of 46.

**SOUTH ABUTMENT
BILL OF MATERIAL**

Bar	No.	Size	Length	Shape
h40(E)	12	#5	39'-9"	
h41(E)	4	#6	39'-9"	
h42(E)	40	#5	6'-1"	
h43(E)	5	#5	28'-6"	
h44(E)	5	#5	14'-0"	
h45(E)	30	#6	24'-11"	
h46(E)	16	#4	21'-8"	
h47(E)	12	#4	21'-9"	
h48(E)	16	#4	5'-8"	
h49(E)	12	#4	5'-9"	
n40(E)	20	#6	14'-0"	
n41(E)	6	#6	7'-0"	
n42(E)	40	#11	11'-7"	
n43(E)	28	#10	9'-5"	
n44(E)	4	#6	11'-8"	
n45(E)	6	#6	5'-10"	
p40(E)	18	#8	42'-10"	
p41(E)	4	#7	42'-10"	
p42(E)	6	#7	22'-0"	
p43(E)	6	#7	6'-0"	
p44(E)	6	#7	23'-6"	
s40(E)	72	#5	13'-9"	
s41(E)	29	#4	8'-8"	
s42(E)	47	#4	9'-5"	
sd40	4	#5	46'-4"	
sd41	4	#4	18'-4"	
u40(E)	9	#6	10'-6"	
v40(E)	40	#5	3'-0"	
v41(E)	40	#4	3'-2"	
v42(E)	30	#6	11'-9"	
v43(E)	6	#6	11'-1"	
v44(E)	24	#6	11'-10"	
v45(E)	40	#5	10'-4"	
v46(E)	21	#6	16'-1"	
v47	40	#11	45'-10"	
v48	28	#10	17'-10"	
Structure Excavation	Cu. Yd.		99.6	
Concrete Structures	Cu. Yd.		94.8	
Reinforcement Bars, Epoxy Coated	Pound		13930	
* Reinforcement Bars for Structures	Pound		15310	
Rock Excavation for Structures	Cu. Yd.		14.3	
Drilled Shaft in Rock, 36"	Foot		184	
Drilled Shaft in Rock, 24"	Foot		72	

* Weight includes spacers for spirals.
** Length is height of spiral.

**SOUTH ABUTMENT
F.A.P. RTE. 315 - SEC. (18BRY-1)BR
FULTON COUNTY
STATION 74+09.000
STRUCTURE NO. 029-0068**



FIELD CUTTING DIAGRAM
Order v46(E) full length. Cut as shown and use remainder of bars in opposite face.

DESIGNED	DPN
CHECKED	SMR
DRAWN	h.t. parsons
CHECKED	DPN/SMR

May 16, 2005
EXAMINED *Thomas J. Donagalli*
ENGINEER OF BRIDGE DESIGN
PASSED *Ronald E. Anderson*
ENGINEER OF BRIDGES AND STRUCTURES