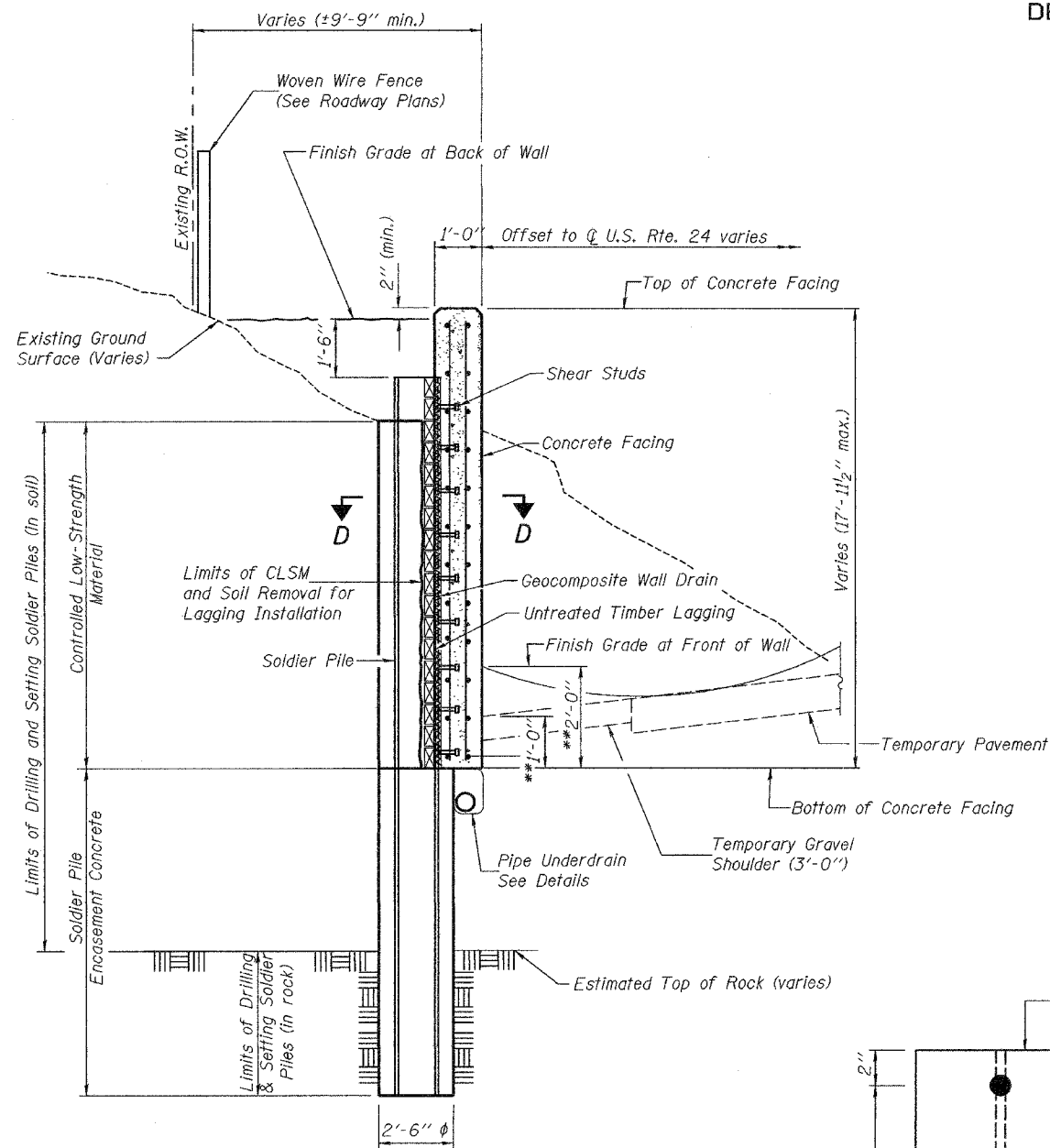


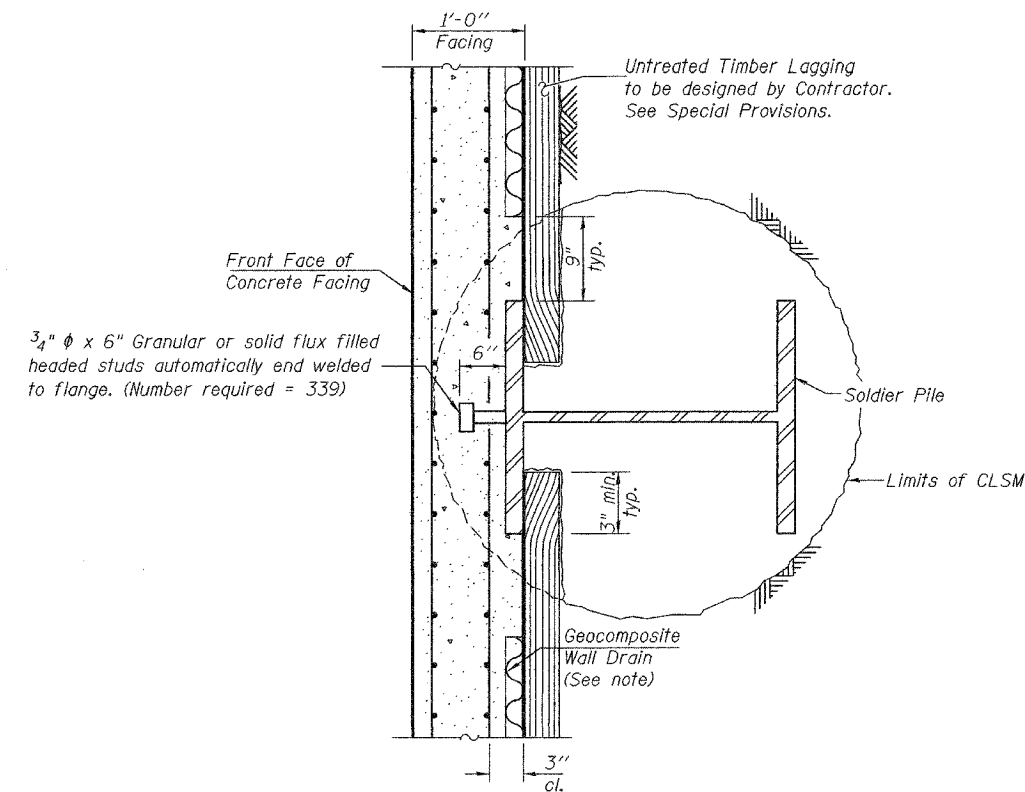
STATE OF ILLINOIS  
DEPARTMENT OF TRANSPORTATION

ROUTE NO.	SECTION	COUNTY	TOTAL SHEETS	SHEET NO.
F.A.P. 315	*	FULTON	231	9
FED. ROAD DIST. NO. 7	BLINDS	FED. AID PROJECT		

Contract #88753  
\*18RS-2, 19RS-3 (18BRY & 18BRY-1) BR. 18B-1

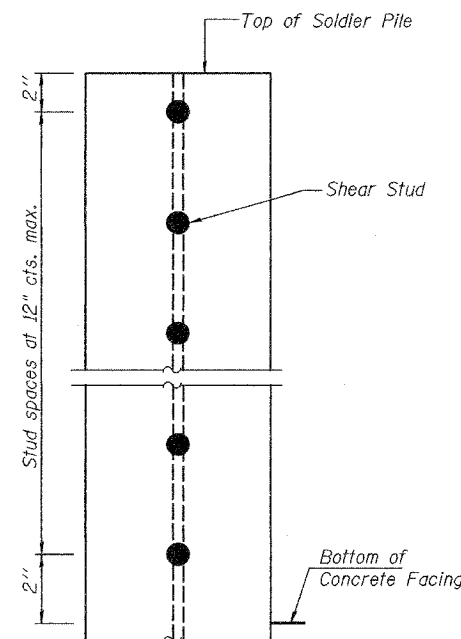


**SECTION B-B**

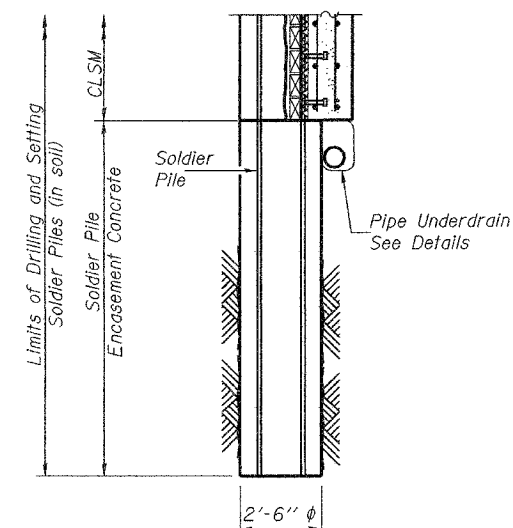


**SECTION D-D**

Note:  
Geocomposite Wall Drain shall not have a thickness greater than 1".



**SHEAR STUD DETAIL**  
(Elevation of pile shown)



**SECTION C-C**

For remainder of details, see Section B-B.

\*\* Top of underdrain will be at least 2'-0" below finish grade at front of wall and at least 1'-0" below top of temporary shoulder (at front of wall).

DESIGNED	DFZ
CHECKED	SMR
DRAWN	BECKY M. CURRY
CHECKED	DFZ, SMR & SEM

APR 28, 2005  
EXAMINED *Thomas J. Damagala*  
PASSED *Ralph E. Carburn*

**SOLDIER PILE WALL DETAILS**  
F.A.P. RTE. 315 - SEC. 18RS-2, 19RS-3,  
(18BRY & 18BRY-1) BR. 18B-1  
FULTON COUNTY  
RT. STATION 80+00 to 82+10  
STRUCTURE NO. 029-W501