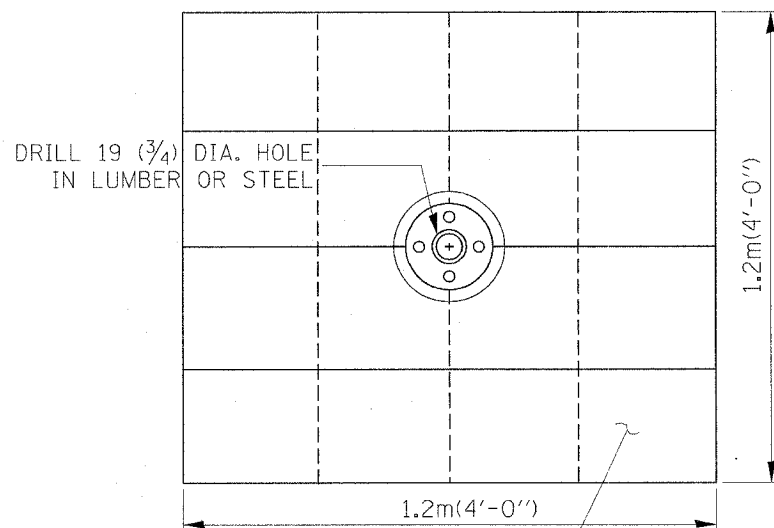
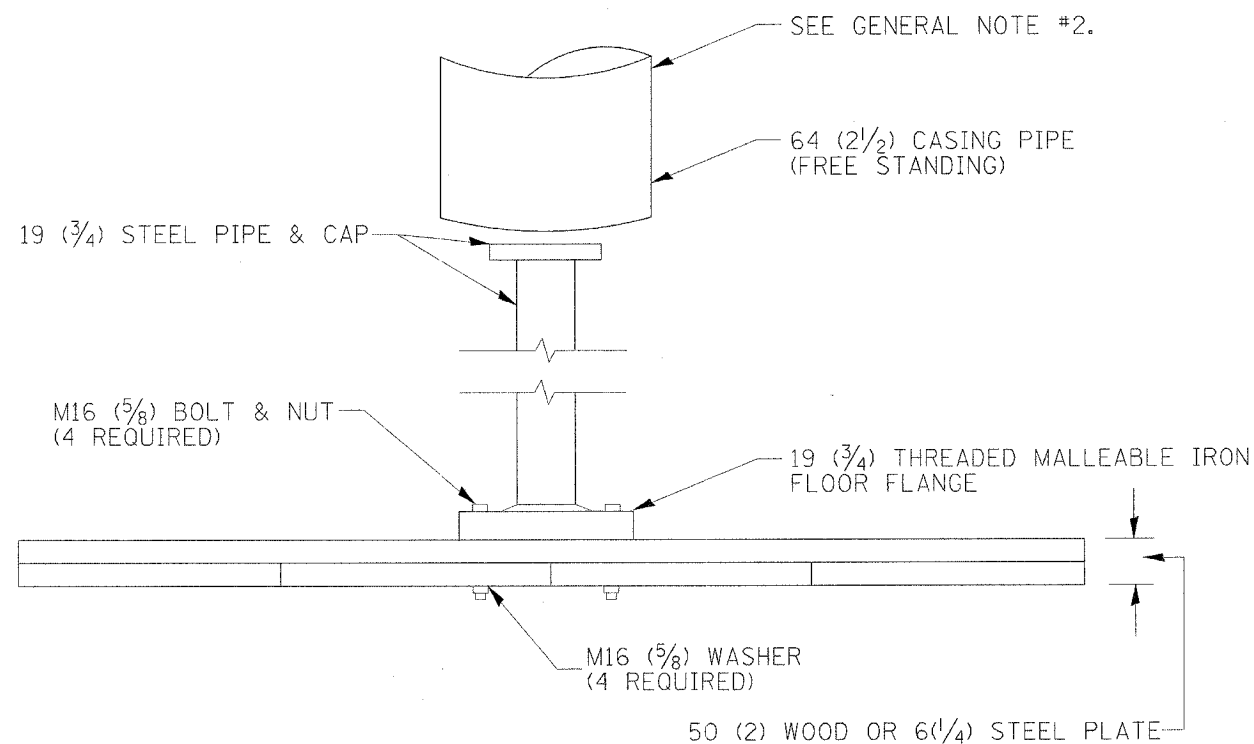


F.A. RTE.	SECTION	COUNTY	TOTAL SHEETS	SHEET NO.
	***	FULTON	684	253
STA.	TO STA.			
FED. ROAD DIST. NO.	ILLINOIS	FED. AID.	PROJECT	

*** 181,18BRY&18BRY-1)BR,18B-1



SOUND LUMBER - 25(1) x 300(12) NAILED TOGETHER OR 6(1/4) THICK BY 1.2m(4') SQUARE STEEL PLATE

GENERAL NOTES:

1. Settlement Platform shall be in accordance with the applicable portions of Article 204.06 of the Standard Specifications.
2. Do Not install casing pipe until after one section of 19 mm(3/4") has been covered with earth. The casing pipe should not rest on platform.

DESIGNER NOTES:
 1. SEE SOILS REPORT AND BUREAU OF MATERIALS FOR USAGE, LOCATIONS, AND SETTLEMENT RATES.
 2. CONSIDER USE ON BRIDGE EMBANKMENT AND OTHER SETTLEMENT SENSITIVE FILLS.
 3. THIS DRAWING ALLOWS FOR WOODBASE PLATE OPTION.

All dimensions are in millimeters (Inches) unless otherwise noted.

ILLINOIS DEPARTMENT OF TRANSPORTATION
DISTRICT CADD STANDARD

DATE	REVISIONS	BY
1-1-97	RENUM. L-5.04, NEW REVISION BOX, REVISED NOTES, REVISED TITLE BOX	T.P.
4-14-99	ADDED "CASING PIPE" REQUIREMENT	J.A.
5-19-99	CORRECTIONS TO CASING PIPE	J.A.
8-23-01	UPDATE FOR NEW SPEC	M.A.

SETTLEMENT PLATFORM

CADD STD. 205101-D4

SCALE: NOT DRAWN TO SCALE

DRAWN BY CADD

DATE **DATE**

CHECKED BY

205101-D4