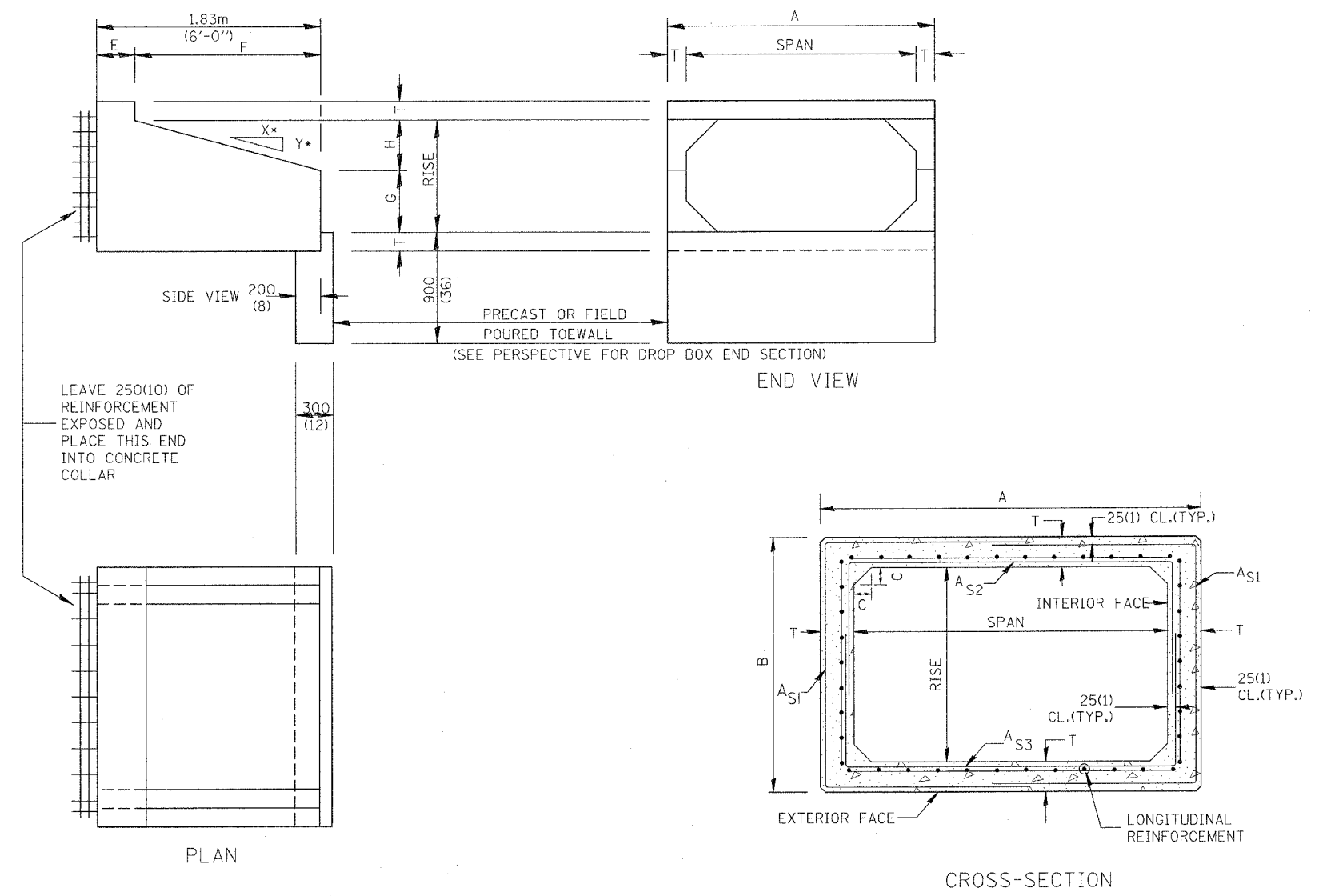
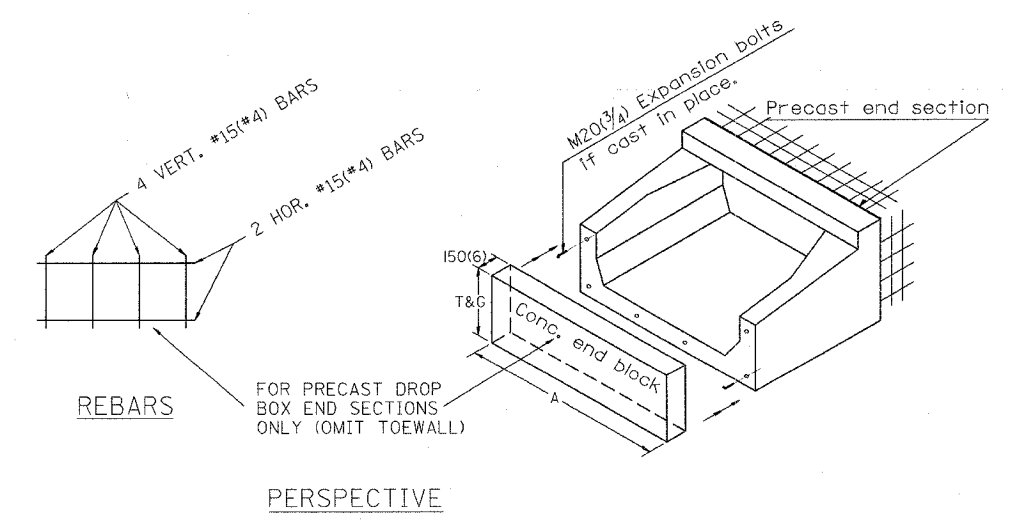


F.A. RTE.	SECTION	COUNTY	TOTAL SHEETS	SHEET NO.
315/317	***	FULTON	684	264
STA.		TO STA.		
FED. ROAD DIST. NO.	ILLINOIS	FED. AID PROJECT		
*** 181,188RY&188RY-188-188-1 CONTRACT# 88753				



- GENERAL NOTES:**
1. The Box Culvert Sections shall conform to ASTM C789 for 0.6 m(2') of cover or more. If less than 0.6 m(2') of cover exists, then ASTM C-850 applies and modify Table 'B' and drawing.
 2. The Aggregate shall conform to the requirements of Articles 1003.02 and 1004.02 of the Standard Specifications. The gradation requirements do not apply.
 3. The External Sealing Band shall conform to ASTM C 877. The appropriate portions of Articles 550.02(1) and 1057.01 of the Standard Specifications shall apply.
 4. Shop plans for the Precast Reinforced Box Culvert Sections, End Sections and Drop Box End Sections shall be submitted in accordance with Article 504.04(a) of the Standard Specifications.
 5. All dimensions shall be verified with the Supplier.

DESIGNER NOTES:
 1. INSERT DISTRICT SPECIAL PROVISION.
 2. TO BE USED IN CONJUNCTION WITH CONCRETE COLLAR.



All dimensions are in millimeters (inches) unless otherwise noted.

ILLINOIS DEPARTMENT OF TRANSPORTATION
 DISTRICT CADD STANDARD

DATE	REVISIONS	BY
1-1-97	RENUM. J-12.08 AND J-12.09, NEW FORMAT, METRICS, NEW REVISION BOX, NOTES.	T.P.
5-1-97	CORRECT TITLE & GEN. NOTES	J.A.
6-17-99	CORRECT DIMENSIONS	J.A.

PRECAST CONCRETE BOX CULVERTS (SPECIAL), END SECTION (SPECIAL), & DROP BOX END SECTIONS (SPECIAL)

CADD STANDARD 540401-D4(1)
 SCALE: NOT DRAWN TO SCALE
 DATE **DATE**

DRAWN BY CADD
 CHECKED BY
 SHEET 1 OF 2