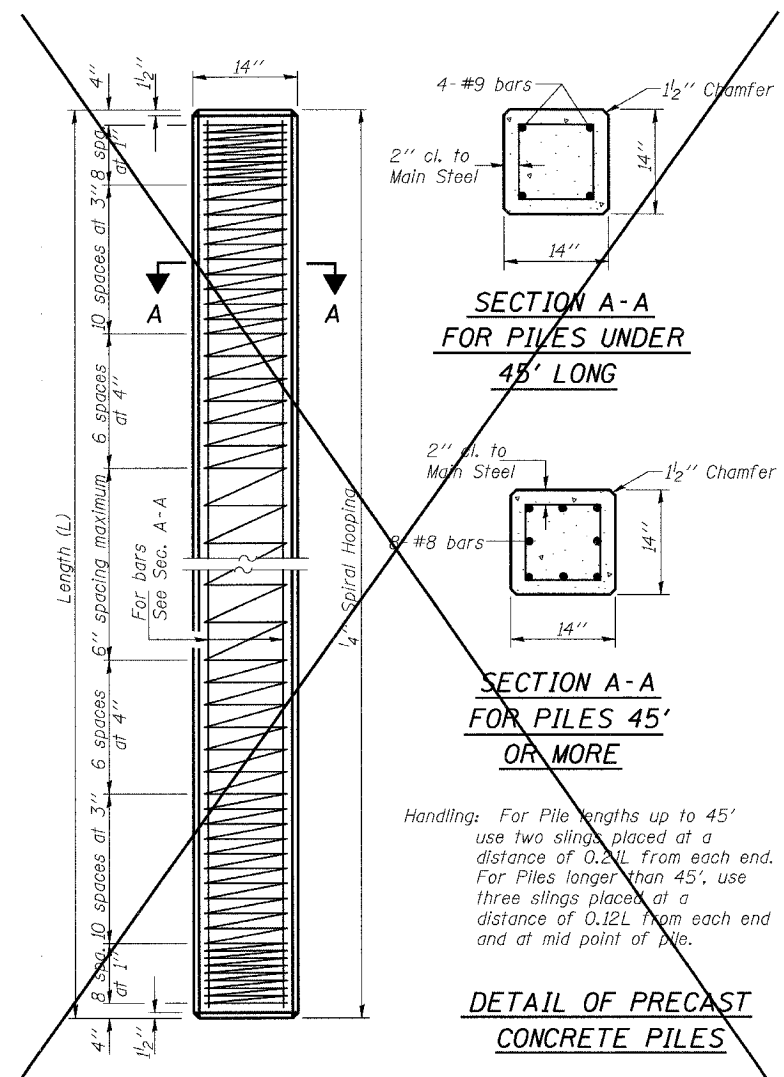


FAS RTE.	SECTION	COUNTY	TOTAL SHEETS	SHEET NO.
732	.	MACOUPIN	15	13
FED. ROAD DIST. NO. 1 ILLINOIS FED. AID PROJECT				
•02-00083-00-BR				



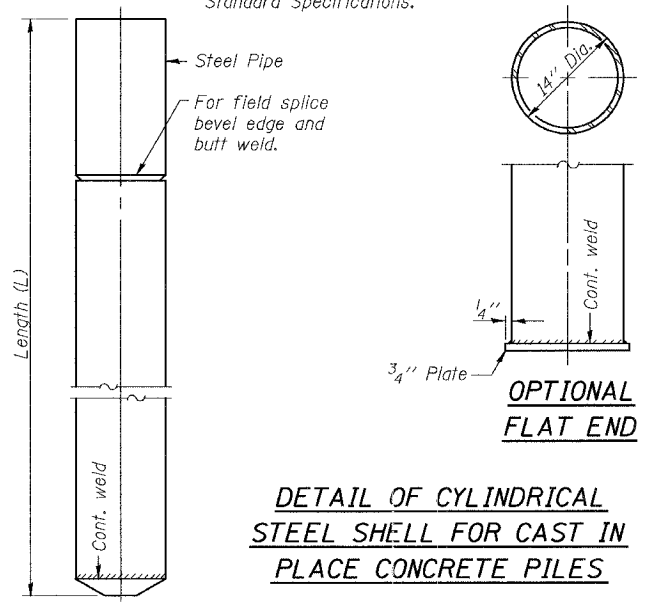
**SECTION A-A
FOR PILES UNDER
45' LONG**

**SECTION A-A
FOR PILES 45'
OR MORE**

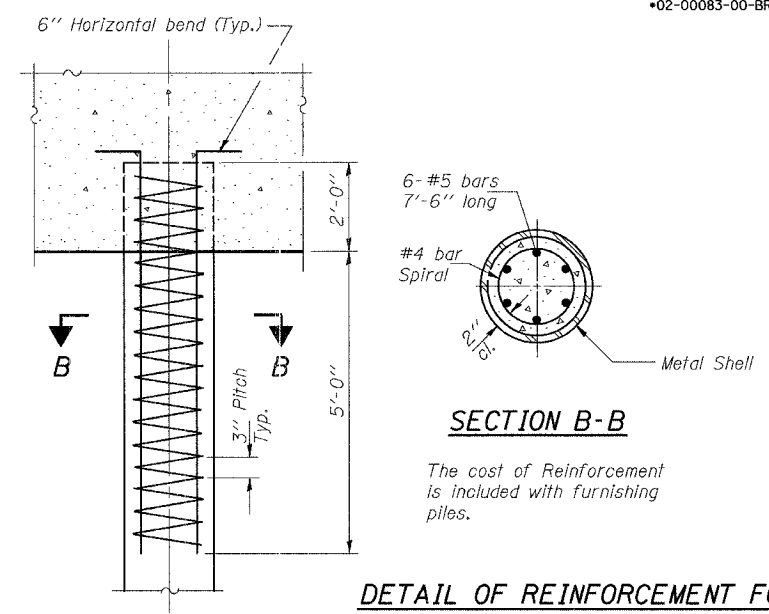
Handling: For Pile lengths up to 45' use two slings placed at a distance of 0.2L from each end. For Piles longer than 45', use three slings placed at a distance of 0.12L from each end and at mid point of pile.

**DETAIL OF PRECAST
CONCRETE PILES**

Notes: Driving and bearing ends of pipe shall be cut square. The thickness of the shell shall be 0.250 inches with a tolerance of 5%. The shell shall be according to Article 1006.05(a) of the Standard Specifications.



**DETAIL OF CYLINDRICAL
STEEL SHELL FOR CAST IN
PLACE CONCRETE PILES**



SECTION B-B

The cost of Reinforcement is included with furnishing piles.

**DETAIL OF REINFORCEMENT FOR
METAL SHELLS AT ABUTMENTS**

X-PB 4-30-97

SHEET TITLE		CONCRETE PILE DETAILS	
PROJECT	C.H. 12 OVER SOLOMON CREEK FAS ROUTE 732 SEC. 02-00083-00-BR MACOUPIN COUNTY STATION 9+90.00 STRUCTURE NUMBER 059-3465	PROJECT NO.	03016
SCALE		DATE	2/16/04
DRAWN BY	TFG	CHECKED BY	MRL/REG/MCB
DRAWING NO.		13	
COOMBE-BLOXDORF P.C. Engineers / Land Surveyors Springfield, Illinois Design Firm License No. 184-002703		OF 15 SHTS	