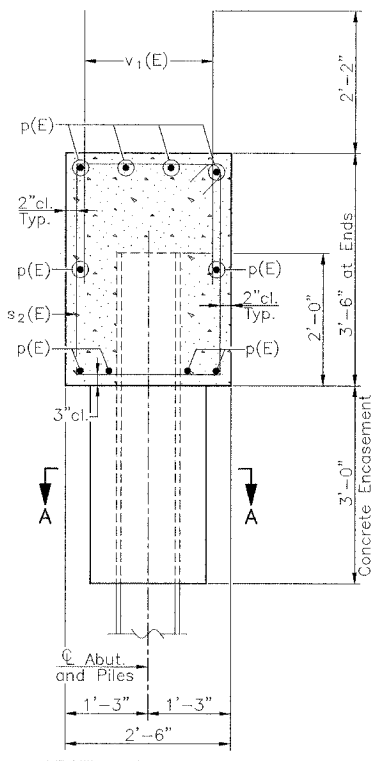
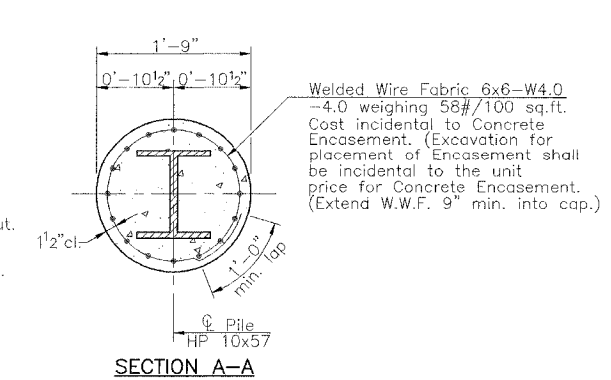
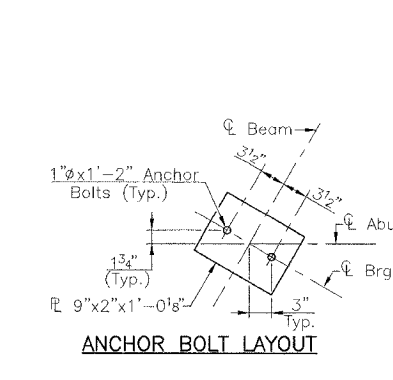
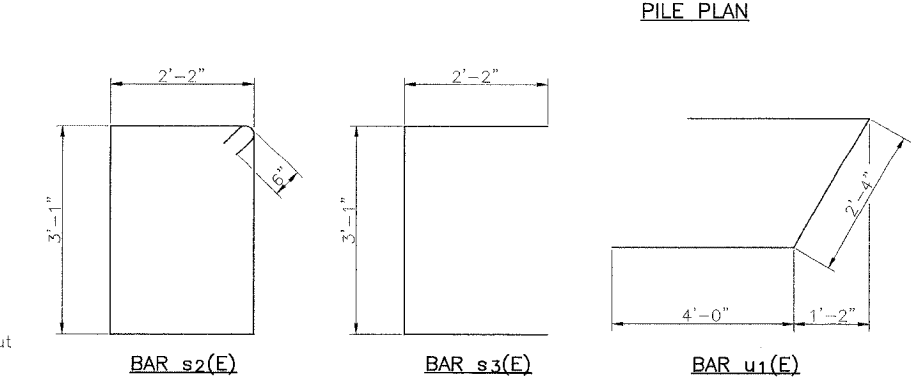
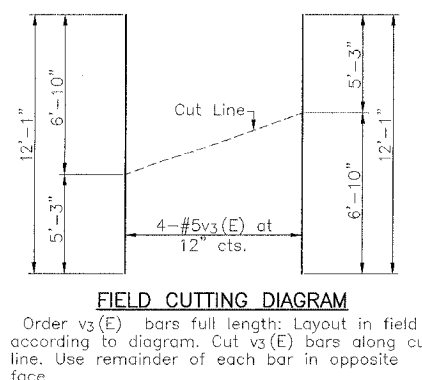
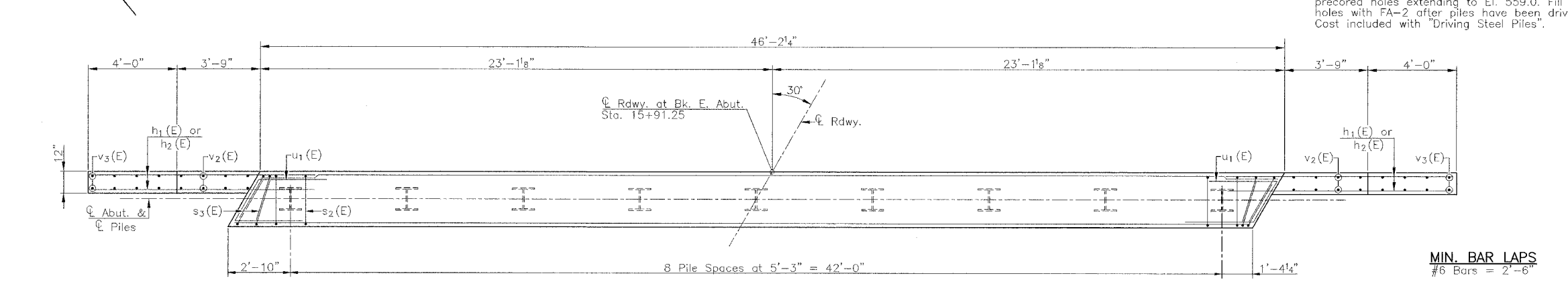
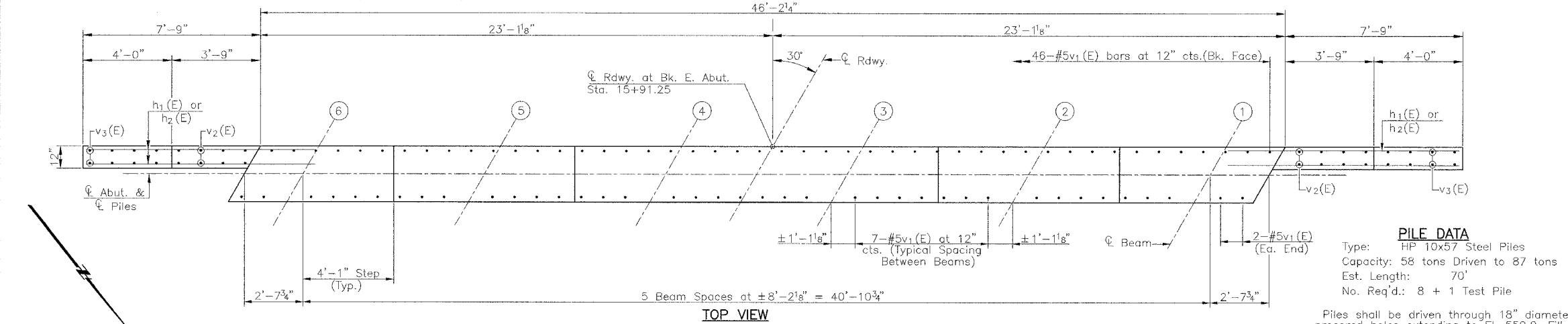
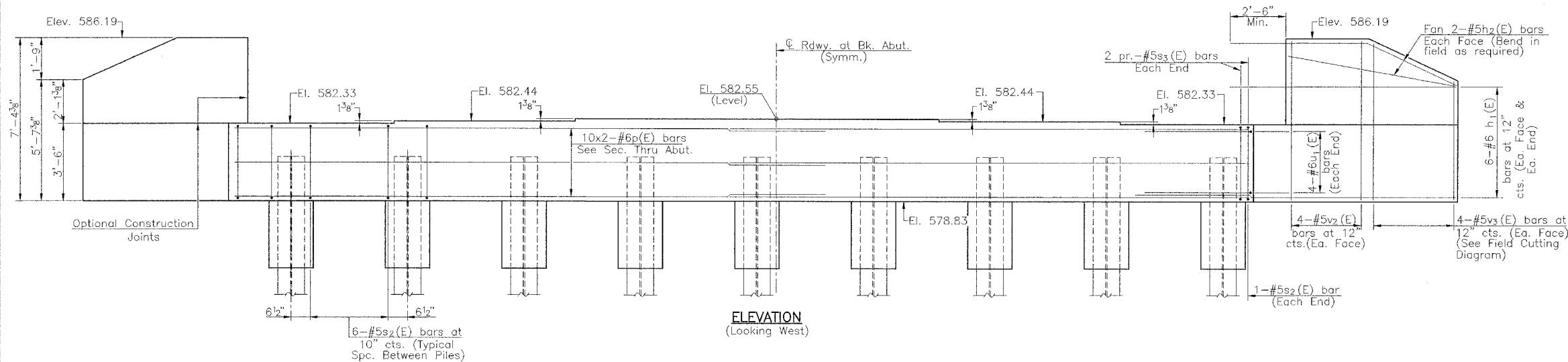


RTE.	SECTION	COUNTY	TOTAL SHEETS	SHEET NO.
C.H. 40	*	SANGAMON	33	17

PROJECT * 00-00021-02-BR



PILE DATA
 Type: HP 10x57 Steel Piles
 Capacity: 58 tons Driven to 87 tons
 Est. Length: 70'
 No. Req'd.: 8 + 1 Test Pile

Piles shall be driven through 18" diameter precored holes extending to El. 559.0. Fill holes with FA-2 after piles have been driven. Cost included with "Driving Steel Piles".

WEST ABUTMENT BILL OF MATERIAL

BAR	NO.	SIZE	LENGTH	SHAPE
h1(E)	24	#6	10'-8"	—
h2(E)	8	#5	7'-6"	—
p(E)	20	#6	24'-3"	—
s2(E)	50	#5	11'-6"	□
s3(E)	8	#5	7'-5"	□
u1(E)	8	#6	10'-4"	□
v1(E)	85	#5	5'-0"	—
v2(E)	16	#5	6'-11"	—
v3(E)	8	#5	12'-1"	—
Concrete Structures		Cu. Yd.	17.5	
Reinforcement Bars(Epoxy Coated)Pound			2620	
Furnishing Steel Piles Hp 10x57		Foot	560	
Driving Steel Piles		Foot	560	
Test Pile, Steel HP 10x57		Each	1	
Concrete Encasement		Cu. Yd.	2.4	

Notes:
 Space Reinforcement in top of footing to miss anchor bolts.
 Pour Steps monolithically with caps.
 Reinforcement bars designated (E) shall be epoxy coated.
 All exposed edges shall have a standard 3/4" chamfer.
 Volume of concrete wingwalls above bonded construction joint to be included in "Concrete Superstructures". See Sheet No. 11 of 33.
 See Sheet No. 20 of 33 for anchor bolt installation.
 Bars indicated thus 10x2-#6 etc. indicates 10 lines of bars with 2 lengths per line.

WEST ABUTMENT
C.H. 40 OVER HORSE CREEK
SECTION 00-00021-02-BR
SANGAMON COUNTY