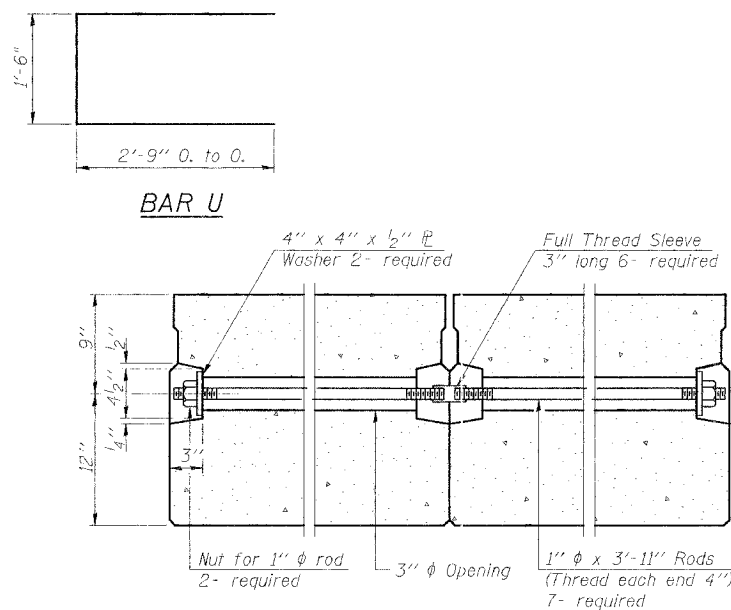
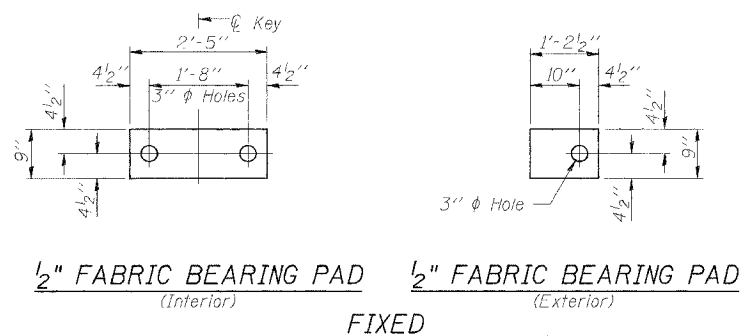
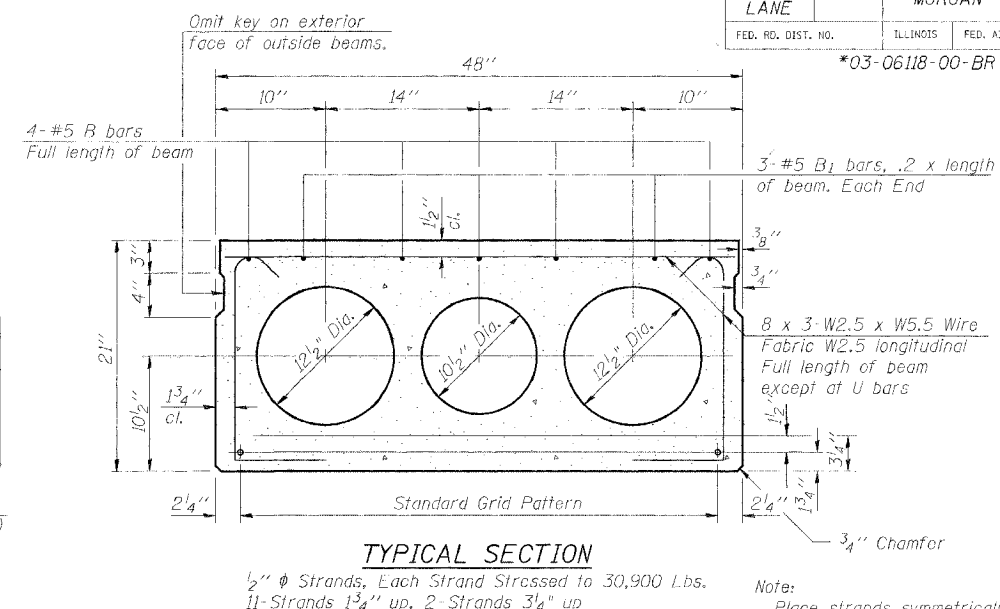


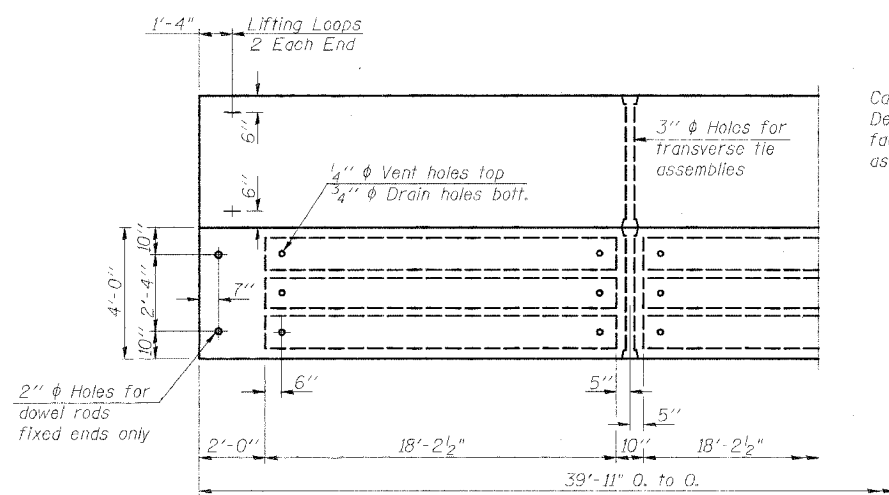
ROUTE NO.	SECTION	COUNTY	TOTAL SHEETS	SHEET NO.
MASSEY LANE	*	MORGAN	15	6
FED. RD. DIST. NO.		ILLINOIS	FED. AID PROJECT	
			*03-06118-00-BR	



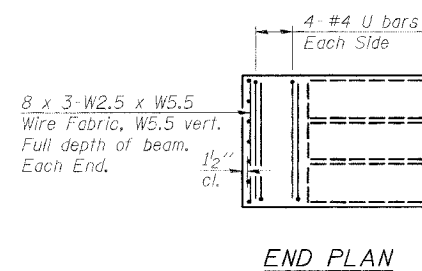
TYPICAL TRANSVERSE TIE ASSEMBLY



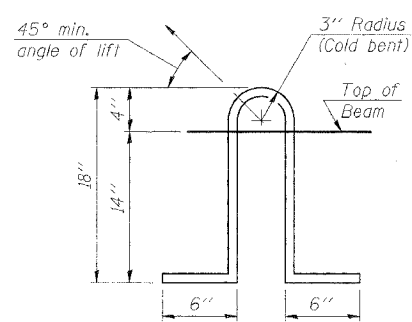
TYPICAL SECTION



PLAN

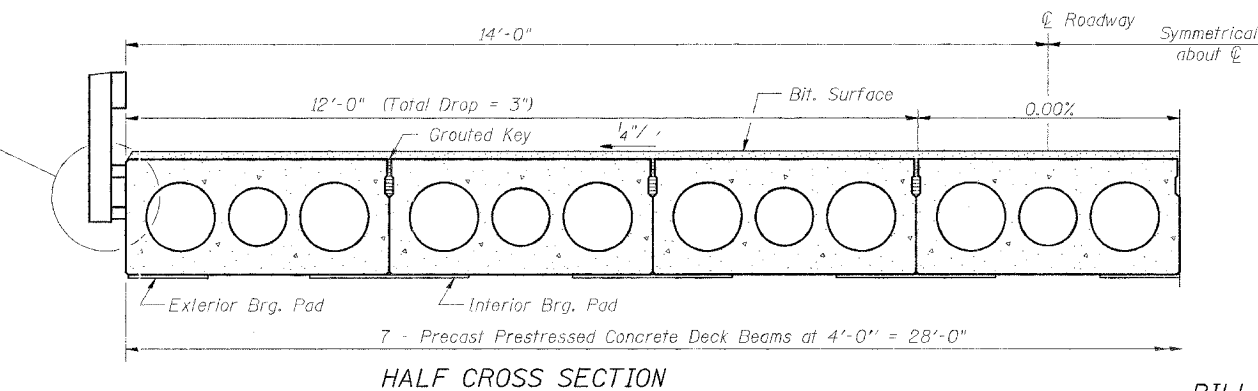


END PLAN



LIFTING LOOP DETAIL

Cast Railpost Anchor Devices into Exterior face of outside beams, as specified on Sht 7 of 11



HALF CROSS SECTION

PROFILE OF OVERLAY

BILL OF MATERIAL

Bar	No.	Size	Length	Shape
Precast Prestressed Conc. Deck Bms. (21 inch Depth)				Sq. Ft. 1117.7

NOTES

- Prestressing steel shall be uncoated high strength, low relaxation 7-wire strand, Grade 270. The nominal diameter shall be 1/2 inch and the nominal cross-sectional area shall be 0.153 sq. in. Lifting loops shall be 2 - 1/2 inch phi - 270 ksi strands, as shown.
- The 1 inch rods in the transverse tie assembly shall be tightened to a snug fit and the threads set. Pockets that receive transverse tie bar on outside shall be filled with grout after transverse tie assembly is in place.
- Non prestressing steel shall conform to AASHTO M-31, M-42 or M-53 Grade 60.
- The bearing seat surfaces shall be adjusted by shimming to assure firm and even bearing. Two 1/8 inch fabric adjusting shims of the dimensions of the Exterior Bearing Pad shall be provided for each bearing.
- Keyway surfaces shall be cleaned to remove form oil or other bond breaking material prior to shipment of the beams. Cleaning shall be done by sandblasting the keyway areas between top of the beam and the bottom edge of the key.
- Corrosion inhibitor, as covered in the Special Provisions, shall be used in the concrete for precast prestressed concrete deck beams.
- Required Release Strength, f'ci, shall be 4000 p.s.i.
- Lifting Loops shall be burned off after beam placement.

DRAWN BY	MKC
CHECKED BY	LFL
APPROVED BY	REG
DATE	MARCH, 2005
REVISIONS	
DATE	BY

SUPERSTRUCTURE (SPAN 2)  
MASSEY LANE OVER SANDY CREEK  
SEC 03-06118-00-BR STA. 12+25.00

MORGAN COUNTY, ILLINOIS

**Benton & Associates, Inc.**  
Consulting Engineers / Land Surveyors  
1970 West Lafayette Avenue Jacksonville, Illinois 62650  
Phone : 217-245-4146 Fax : 217-245-4149  
IL Design Firm Registration No. 184-000852