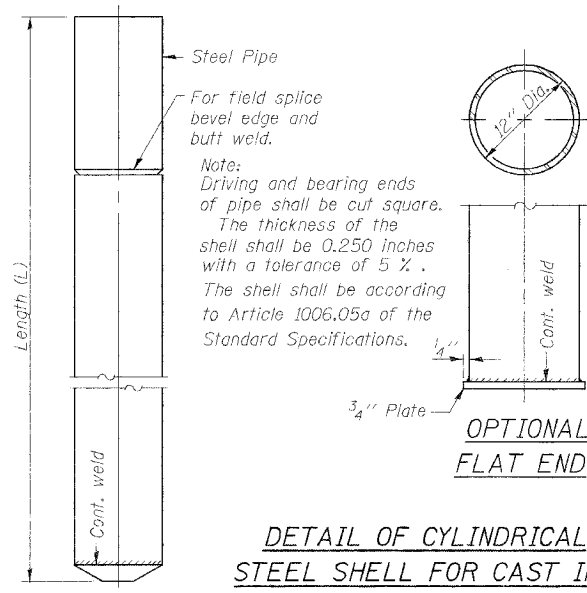


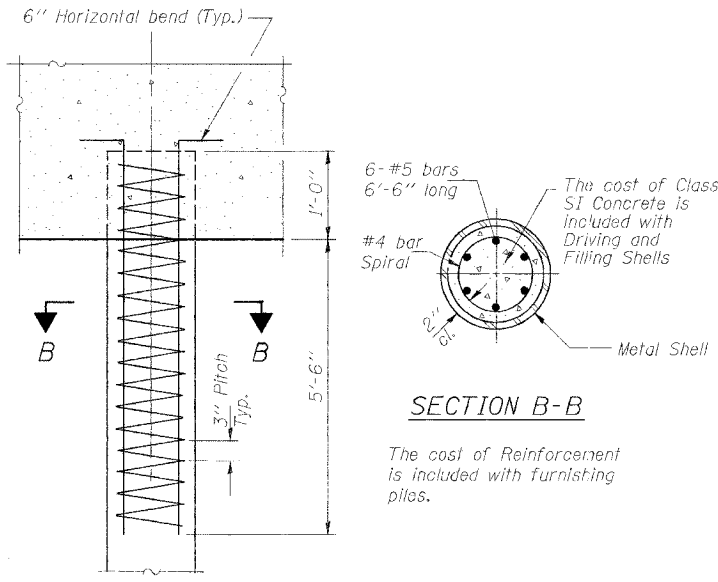
ROUTE NO.	SECTION	COUNTY	TOTAL SHEETS	SHEET NO.
MASSEY LANE	*	MORGAN	15	11
FED. RD. DIST. NO.		ILLINOIS	FED. AID PROJECT	

* 03-06118-00-BR



Note:
Driving and bearing ends of pipe shall be cut square.
The thickness of the shell shall be 0.250 inches with a tolerance of 5%.
The shell shall be according to Article 1006.05a of the Standard Specifications.

OPTIONAL FLAT END



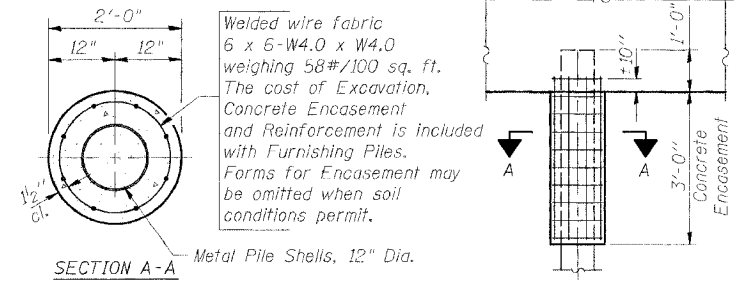
6-#5 bars
6'-6" long

#4 bar Spiral

The cost of Class SI Concrete is included with Driving and Filling Shells

SECTION B-B

The cost of Reinforcement is included with furnishing piles.



Welded wire fabric
6 x 6-W4.0 x W4.0
weighing 58#/100 sq. ft.
The cost of Excavation, Concrete Encasement and Reinforcement is included with Furnishing Piles.
Forms for Encasement may be omitted when soil conditions permit.

SECTION A-A Metal Pile Shells, 12" Dia.

DRAWN BY MKC
CHECKED BY LEL
APPROVED BY REG
DATE MARCH, 2005

REVISIONS	
DATE	BY

PILE DETAILS
MASSEY LANE OVER SANDY CREEK
SEC 03-06118-00-BR STA. 12+25.00

MORGAN COUNTY, ILLINOIS

Benton & Associates, Inc.
Consulting Engineers / Land Surveyors
1970 West Lafayette Avenue Jacksonville, Illinois 62650
Phone : 217-245-4146 Fax : 217-245-4149
IL Design Firm Registration No. 184-000852