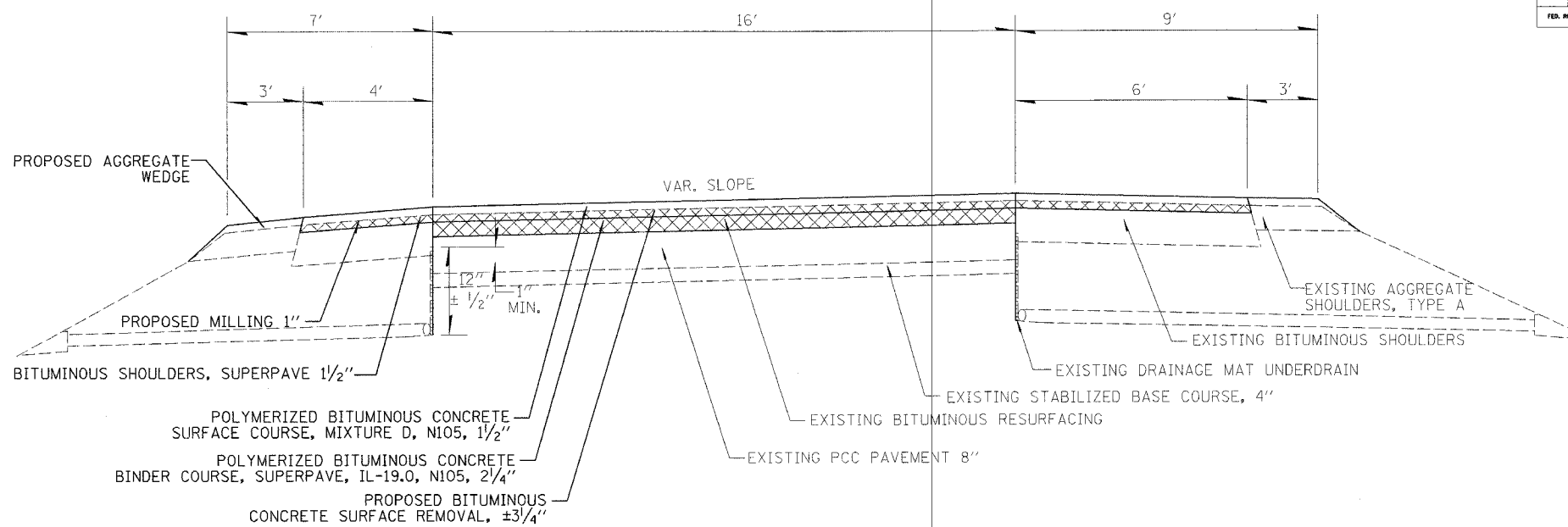


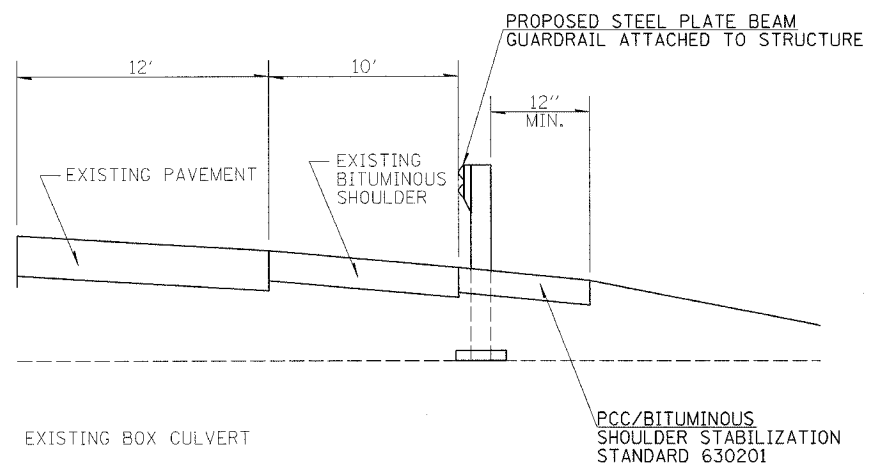
district 5/24/2005
 c:\projects\94905d\0420\p.dgn
TYP 2

FAI RFL	SECTION	COUNTY	TOTAL SHEETS	SHEET NO.
64	(41-71RS-1	JEFFERSON	48	9

CONTRACT NO. 94905

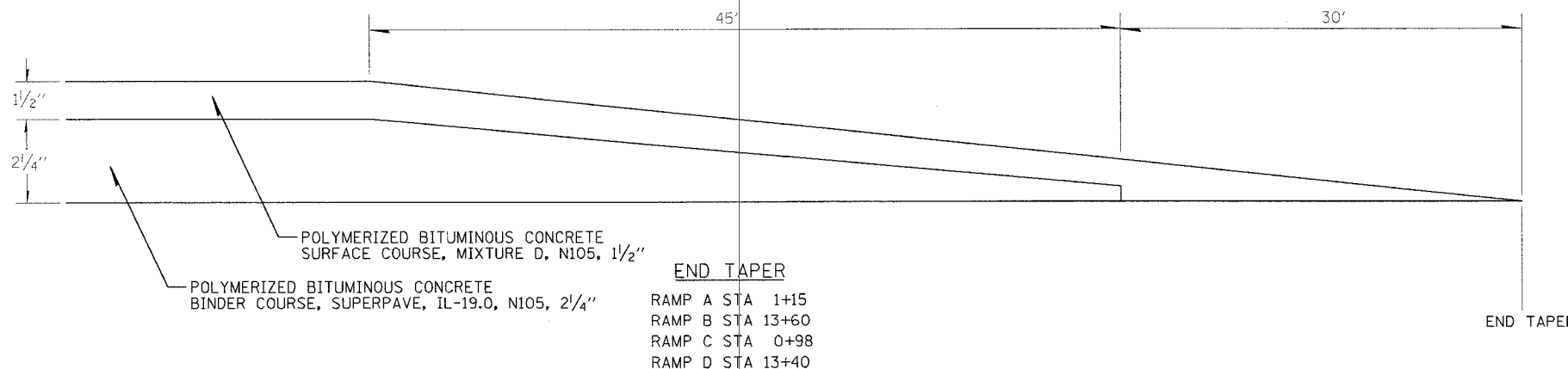


STEEL PLATE BEAM GUARDRAIL ATTACHED TO STRUCTURE DETAIL



STEEL PLATE BEAM GUARDRAIL ATTACHED TO STRUCTURE

	HEIGHT OF POST
WESTBOUND LEFT STA. 2318+01.60 TO STA. 2318+45.35	4.06 FEET
EASTBOUND RIGHT STA. 2318+34.64 TO STA. 2318+78.39	4.87 FEET



REVISIONS	
NAME	DATE
MYRA OLTMAN	5/24/05

ILLINOIS DEPARTMENT OF TRANSPORTATION
TYPICAL SECTIONS AND SPBGR ATTACHED TO STRUCTURE DETAIL
 SCALE: VERT. HORIZ.
 DATE: DRAWN BY: CHECKED BY:

△ REVISED 5/24/05