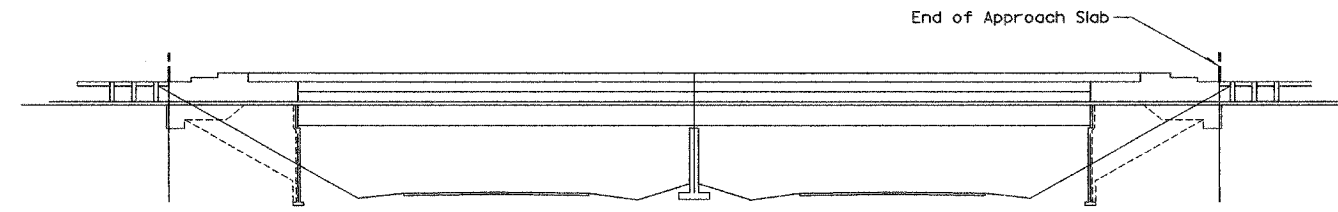
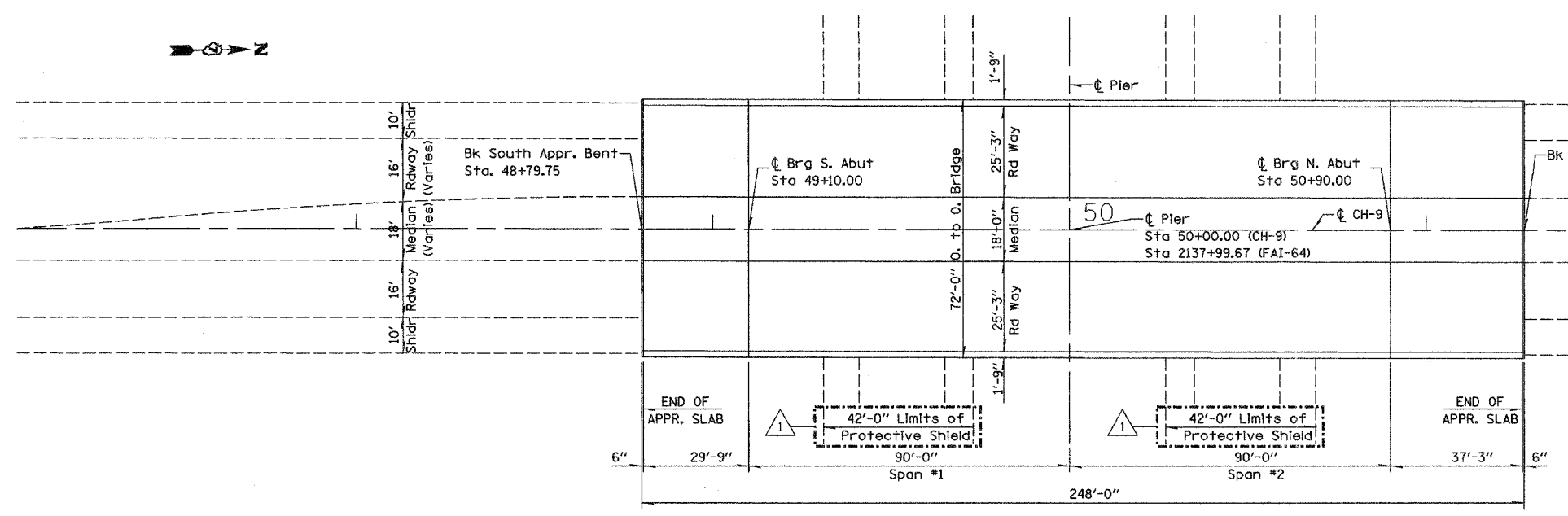


\$USER\$
 \$DATE\$
 DGN-SPEC
 GNP & E

FAI	SECTION	COUNTY	TOTAL SHEETS	SHEET NO.
64	(41-7)RS-1	JEFFERSON	48	27
FED. ROAD DIST. NO. 7		ILLINOIS	FED. AID PROJECT NO.	

CONTRACT NO. 94905



GENERAL NOTES

The work included in the structural repairs for SN 041-0069 and SN 041-0080 consists of removing the existing bituminous wearing surface, hydroscarification, deck slab repair, microsilica overlay, new expansion joints, new bearing assemblies, and all other work to complete the repairs.

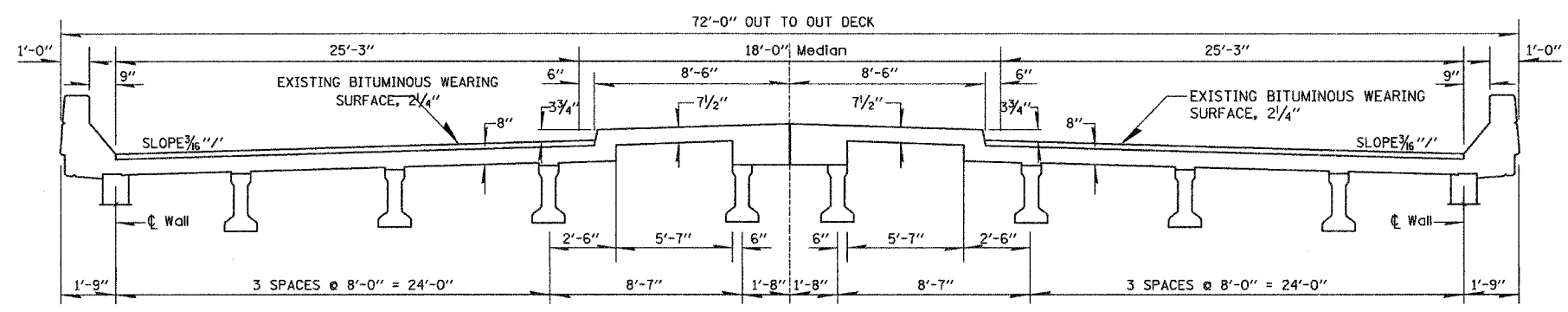
Plan dimensions and details relative to the existing structure have been taken from existing plans and are subject to nominal construction variations. It shall be the contractor's responsibility to verify such dimensions and details in the field and make necessary approved adjustments prior to construction or ordering of materials. Such variations shall not be cause for additional compensation for a change in the scope of the work; however, the contractor will be paid for the quantity actually furnished at the unit price bid for the work.

Areas of deck repairs shown are estimated. The engineer shall show actual locations of deck repairs on as-built plans.

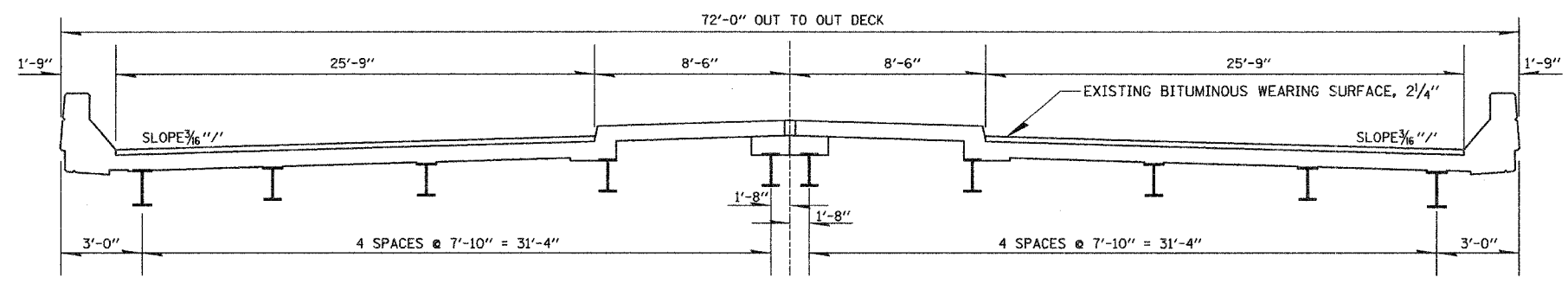
The minimum thickness for the MICROSILICA CONCRETE OVERLAY shall be 2-1/4".

BILL OF MATERIALS SN. 041-0069

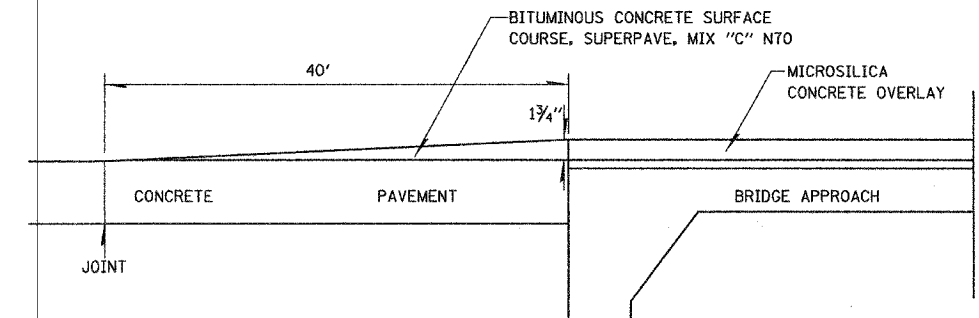
Bituminous Concrete Removal (DECK)	SQ YD	1414
Bridge Deck Hydro-Scarification 1/2"	SQ YD	1414
Bridge Deck Microsilica Concrete Overlay 2 1/4"	SQ YD	1414
Bridge Deck Grooving	SQ YD	1304
Formed Concrete Repair <= 5"	SF	14
Silicone Joint Sealer, 1.5"	FOOT	391
Polymer Concrete	CU FT	8.8
Plug Existing Deck Drains	EACH	4
Deck Slab Repair (Full Depth, Type II)	SQ YD	2
Protective Shield	SQ. YD.	672



TYPICAL SECTION AT APPROACH



TYPICAL SECTION AT BRIDGE



PROPOSED BITUMINOUS FEATHER REPLACEMENT

REVISIONS	
NAME	DATE

ILLINOIS DEPARTMENT OF TRANSPORTATION
**GENERAL PLAN
 & ELEVATION**
STA 2137 + 99.67 F.A.I. 64
STR #041-0069

SCALE: VERT. _____
 HORIZ. _____
 DATE _____

DRAWN BY _____
 CHECKED BY _____