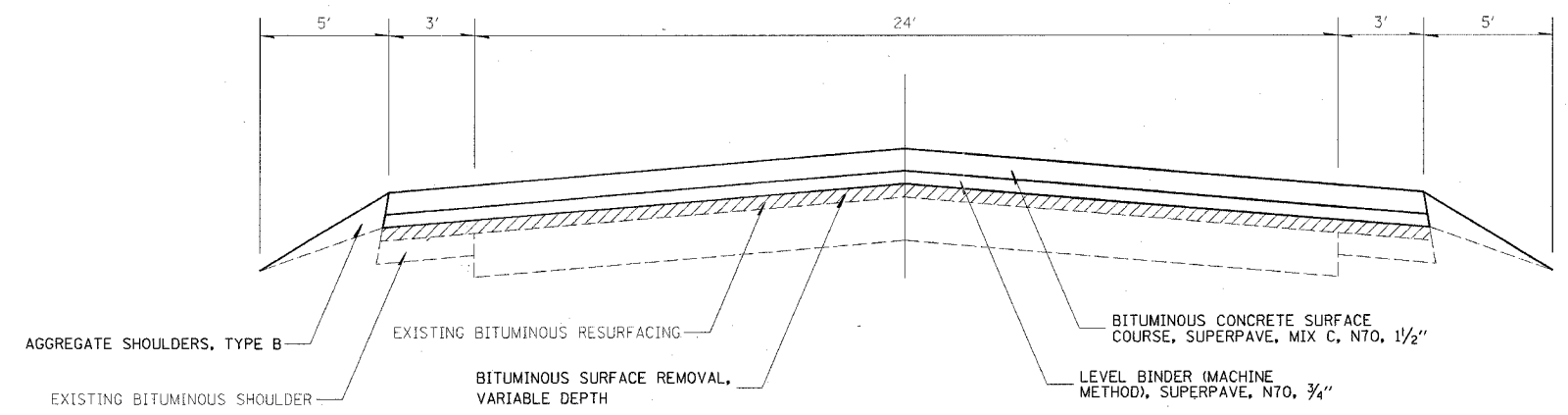
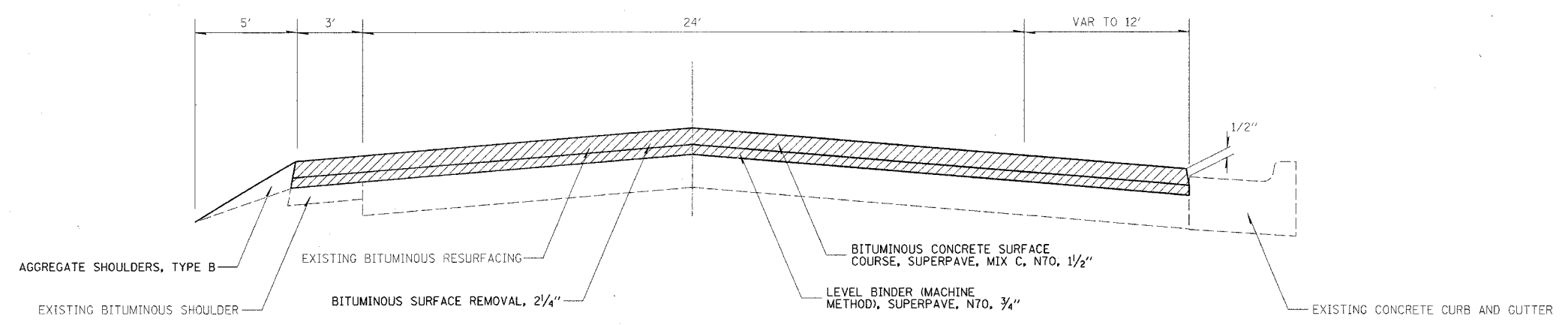


staffermk
6/2/2005
c:\projects\94944d\01302pa.dgn
TYP

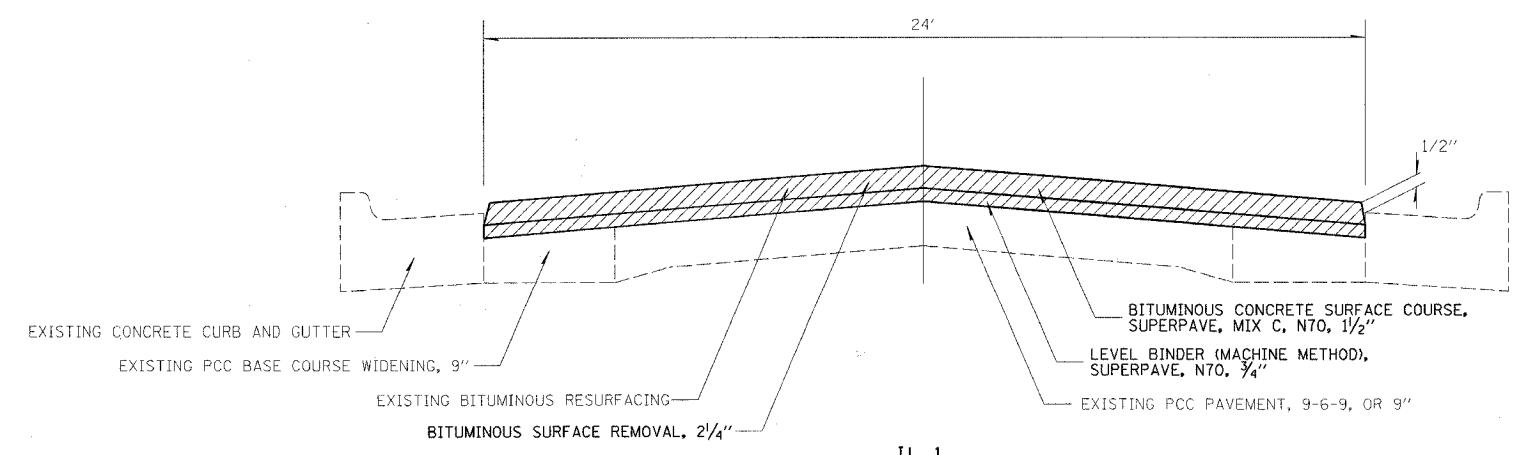
SECTION	COUNTY	TOTAL SHEETS	SHEET NO.
332 (18,19,20) RS-2	CRAWFORD	21	4
FED. ROAD DIST. NO. 7	ILLINOIS	FED. AID PROJECT NO.	
CONTRACT NO. 94944			



IL 1
STA 440+50 TO STA 490+77
STA 491+99 TO STA 612+59
STA 617+09 TO STA 1000+46



IL 1
STA 612+59 TO STA 617+09



IL 1
STA 1000+46 TO STA 1008+93

REVISIONS	
NAME	DATE

ILLINOIS DEPARTMENT OF TRANSPORTATION

TYPICAL SECTIONS

SCALE: VERT. _____
HORIZ. _____

DATE _____ DRAWN BY _____
CHECKED BY _____

Rev. Sheet 6-3-05