

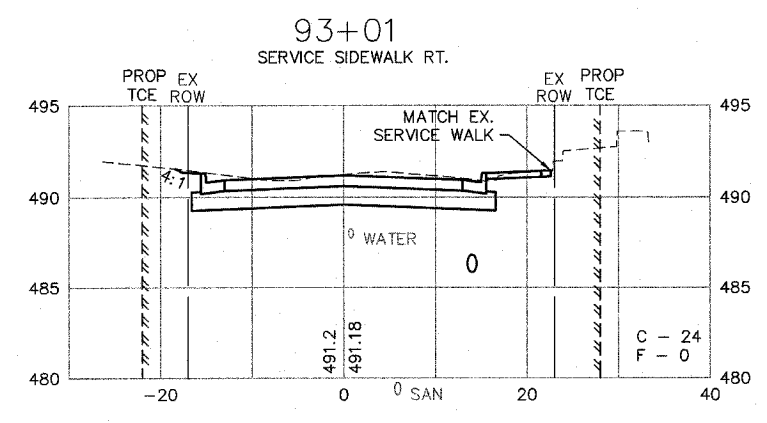
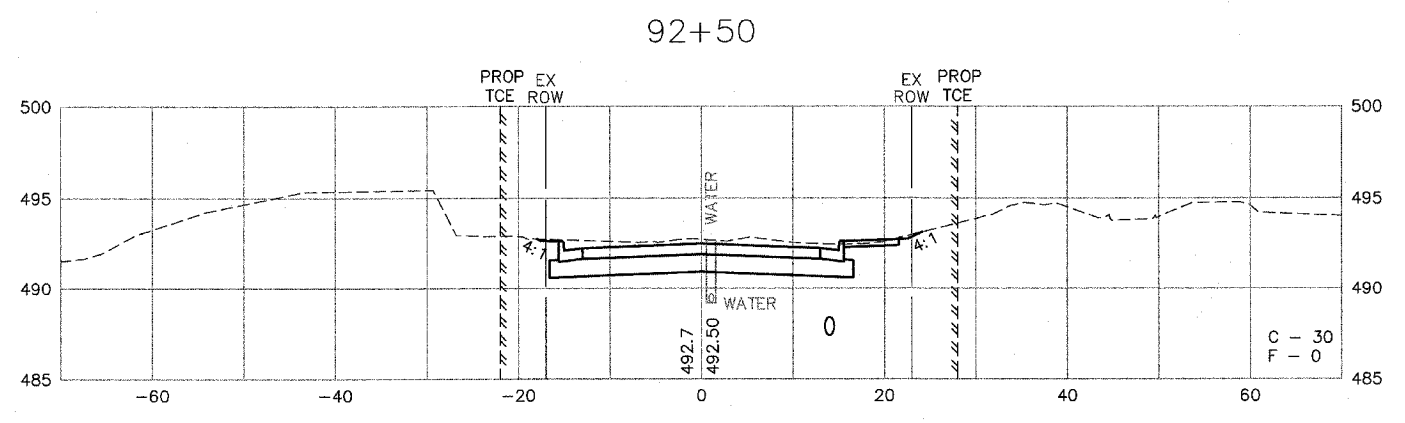
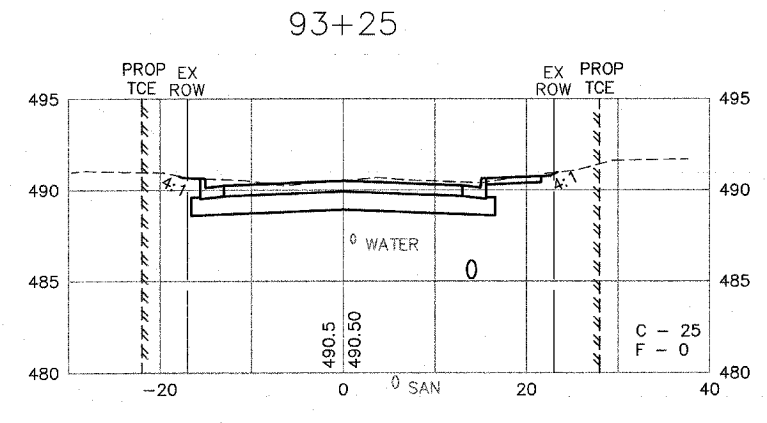
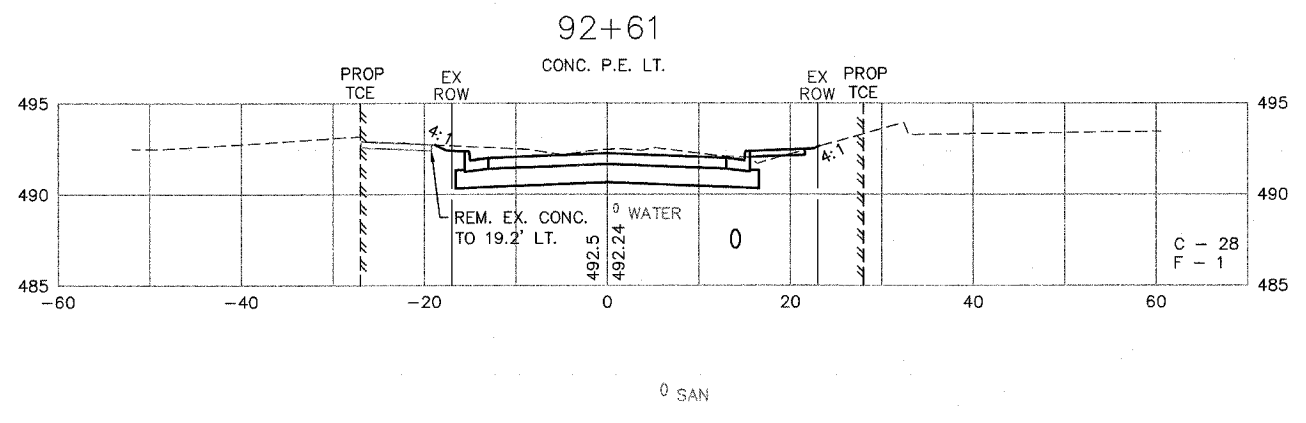
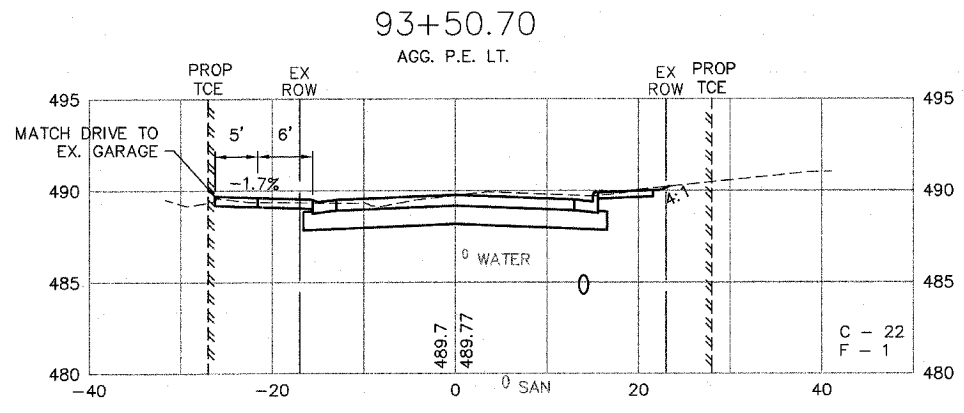
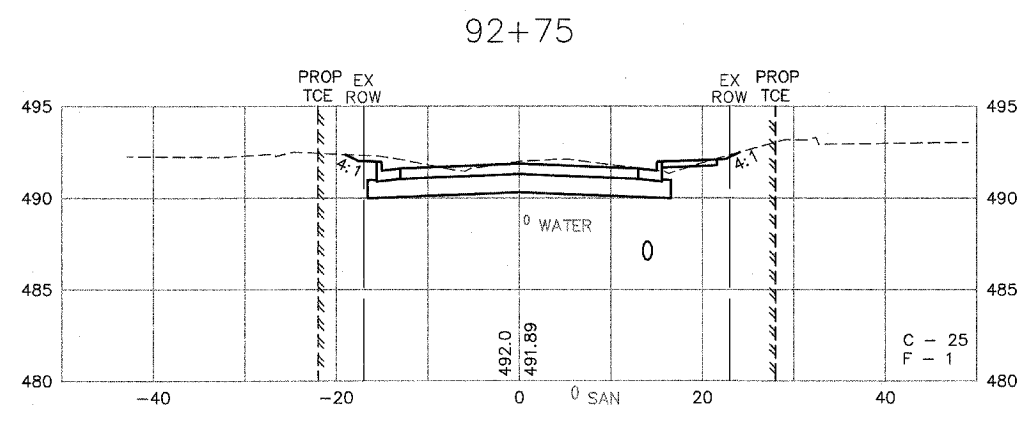
F.A.U. RTE.	SECTION	COUNTY	TOTAL SHEETS	SHEET NO.
9303	01-00032-05-PV	MONROE	23	19
STA. 92+50		TO STA. 93+50.70		
CROSS SECTIONS				
CONTRACT NO. 97250				

BY	DATE

NO.	AREAS CHECKED

BY	DATE

NO.	AREAS CHECKED



SCALE:
VERT. 1"=5'
HORIZ. 1"=10'