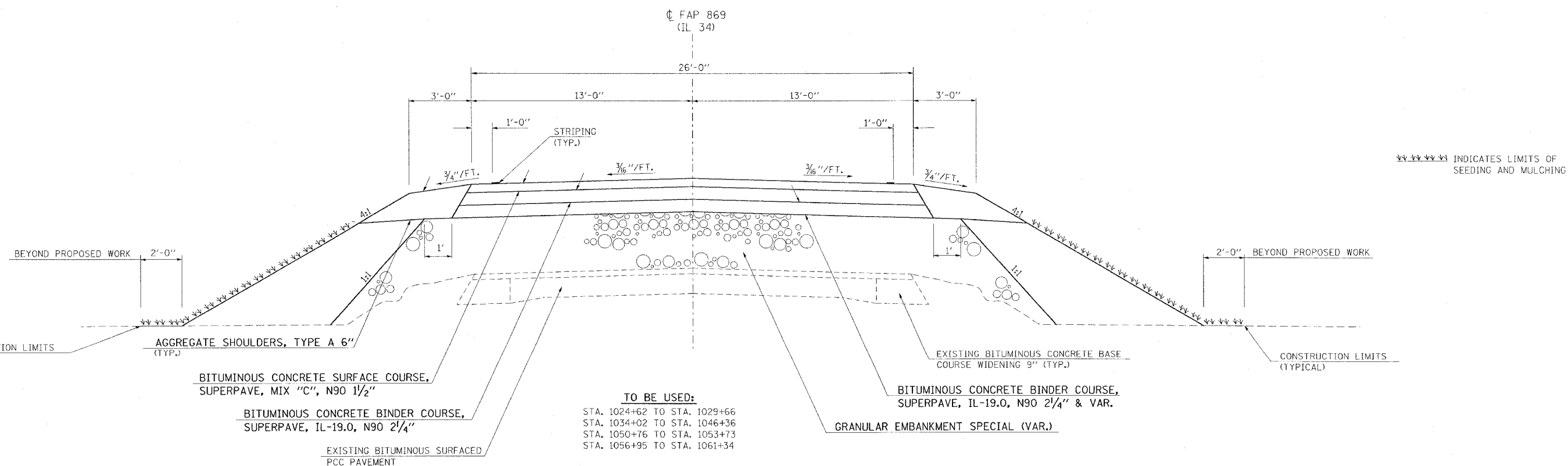
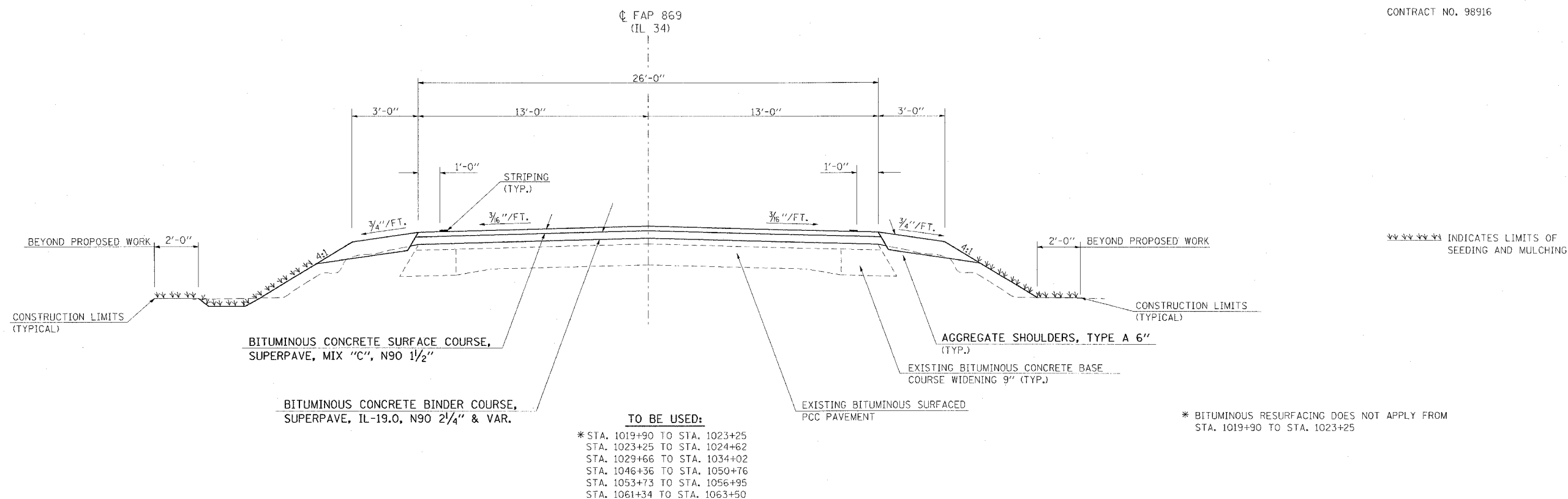


F.A.P. RTE.	SECTION	COUNTY	TOTAL SHEETS	SHEET NO.
869	FY06 SEEDING	SALINE	14	4
STA.	TO STA.			
FED. ROAD DIST. NO.	ILLINOIS	FED. AID PROJECT		

CONTRACT NO. 98916

TYPICAL SECTION



FEBRUARY 3, 2005 AFTERNOON
D902305/D902305P3.DGN