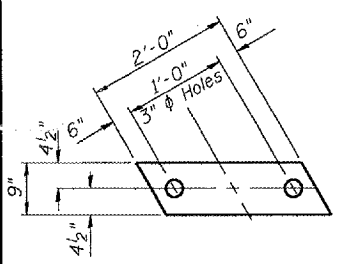
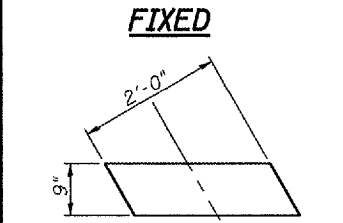


STATE OF ILLINOIS
DEPARTMENT OF TRANSPORTATION

ROUTE NO.	SECTION	COUNTY	SHEETS	SHEET NO.
		Gallatin	75	3
Contract Number: 98920				

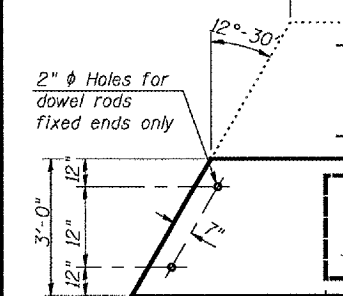


FABRIC BEARING PAD

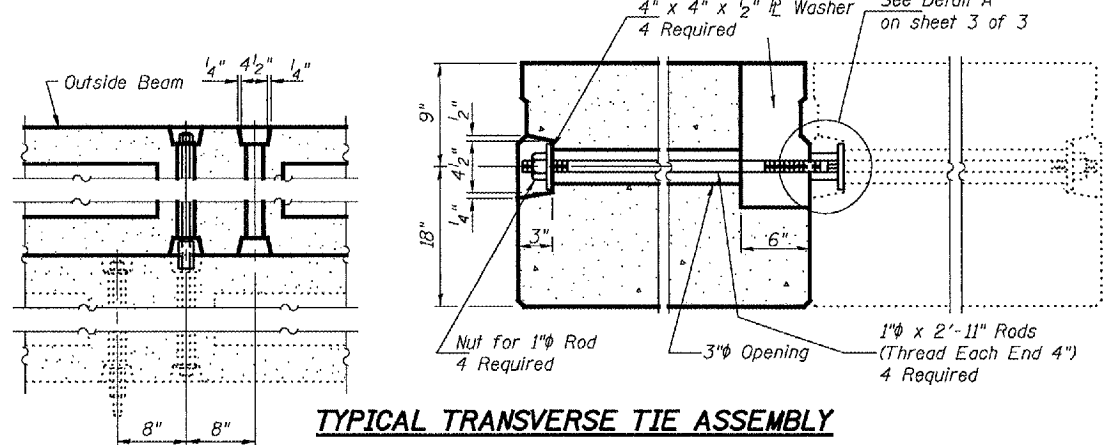


FABRIC BEARING PAD

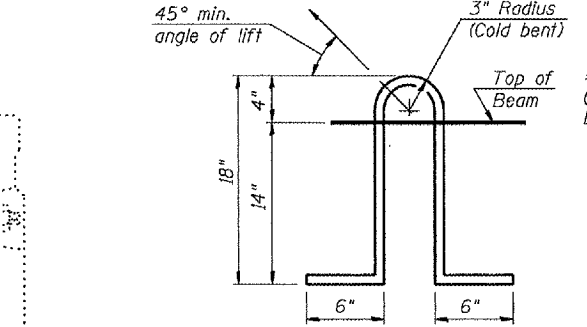
EXPANSION



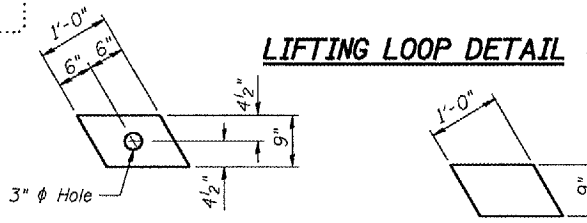
6" x 6" x 1 1/2" Blockout to be filled with Class BD Concrete after Beams have been installed. Cost shall be included in the cost of "Concrete Superstructure". Omit on the outside of Fascia Beams.



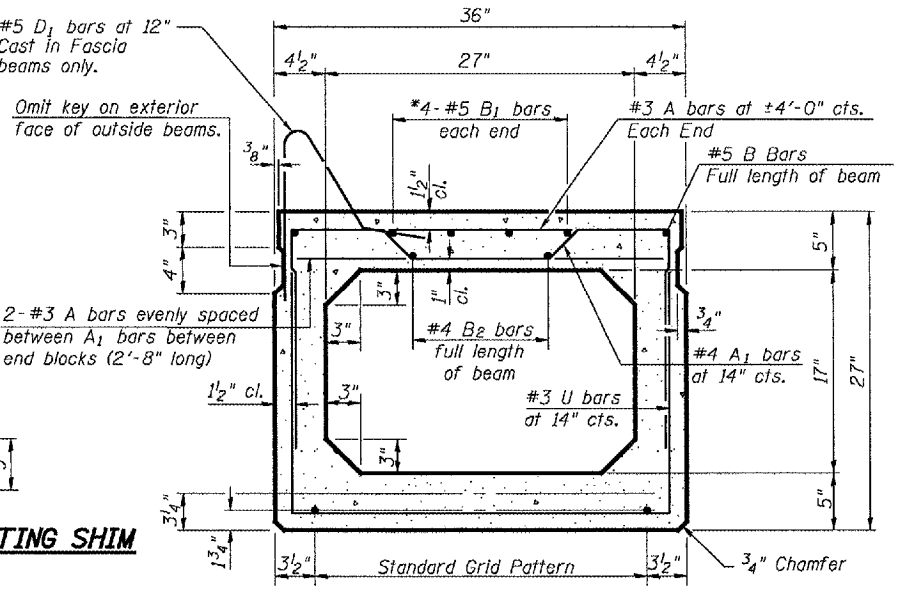
TYPICAL TRANSVERSE TIE ASSEMBLY



LIFTING LOOP DETAIL



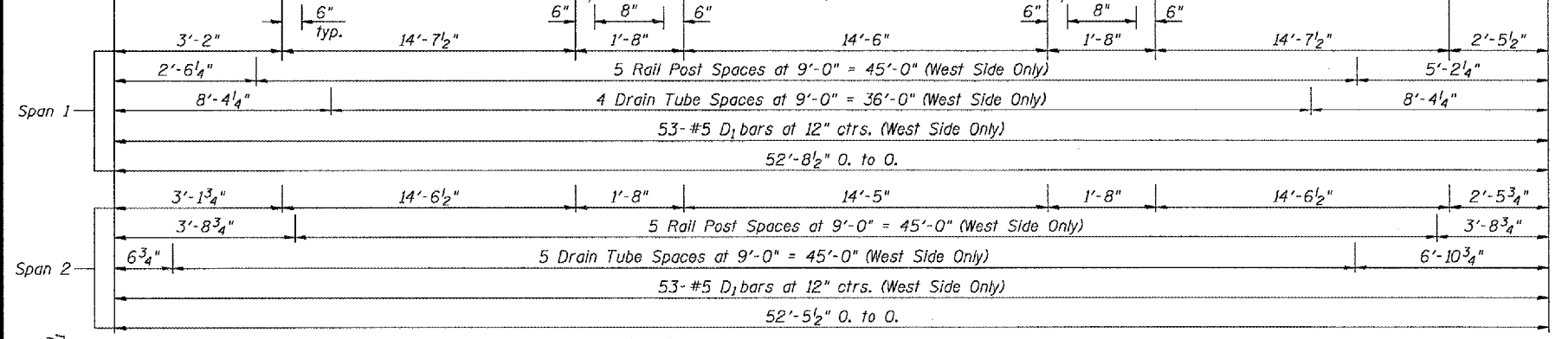
FIXED ADJUSTING SHIM EXPANSION ADJUSTING SHIM



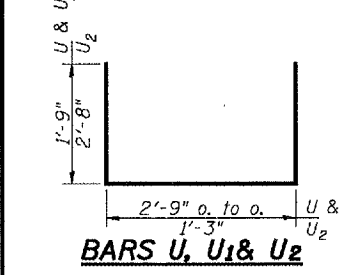
TYPICAL SECTION

1/2" Strands, Each Strand Stressed to 30,900 Lbs.
9-Strands 1 3/4" up, 2-Strands 3/4" up

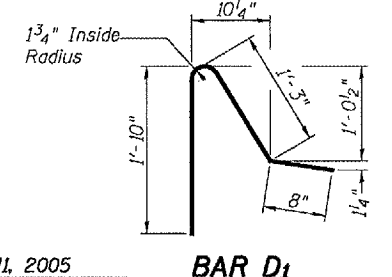
Note: Place strands symmetrically about centerline of beam.



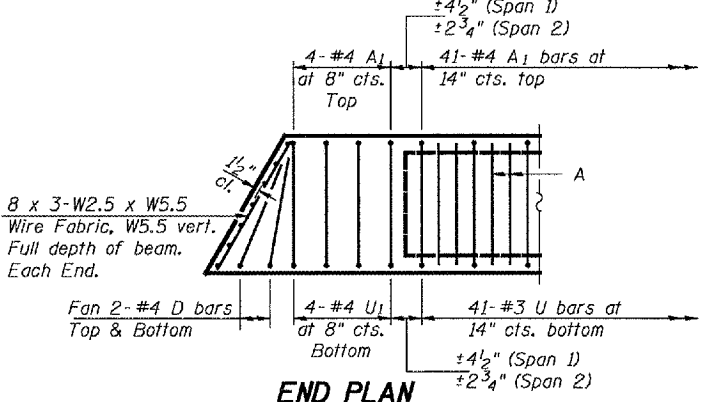
PLAN



BARS U, U1 & U2

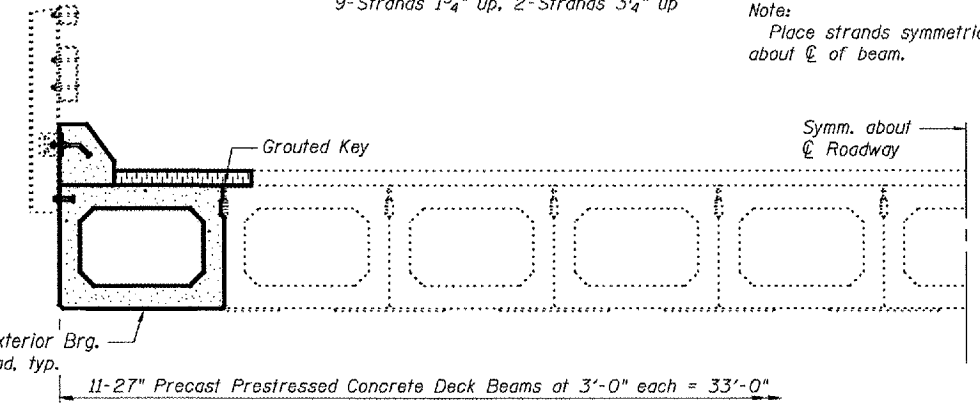


BAR D1

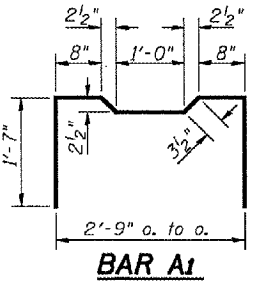


END PLAN

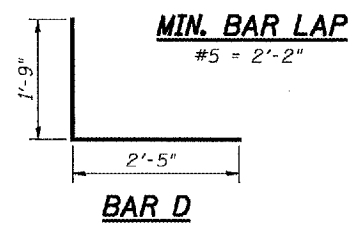
See detail for end of beam expansion end on Sheet 3 of 3.



HALF CROSS SECTION



BAR A1



BAR D

MIN. BAR LAP
#5 = 2'-2"

BILL OF MATERIAL

Bar	No.	Size	Length	Shape	
a(E)	3	#5	2'-11"	—	
e(E)	4	#5	27'-7"	—	
Precast Prestressed Conc. Deck Bms.				Sq. Ft.	316
Reinforcing Bars Epoxy Coated				Pound	120

Reinforcement bars designated (E) shall be epoxy coated.
Bars indicated thus 1 x 2-#5 etc. indicates 1 line of bars with 2 lengths per line.

NOTES

Prestressing steel shall be uncoated high strength, low relaxation 7-wire strand, Grade 270. The nominal diameter shall be 1/2" and the nominal cross-sectional area shall be 0.153 sq. in. Lifting loops shall be 2-1/2" phi-270 ksi strands, as shown.
The 1" phi rods in the transverse tie assembly shall be tightened to a snug fit and the threads set. Pockets that receive transverse tie bar on outside shall be filled with grout after transverse tie assembly is in place.
Non prestressing steel shall conform to AASHTO M-31 or M322 Grade 60.
The bearing seat surfaces shall be adjusted by shimming to assure firm and even bearing. Two 1/8" fabric adjusting shims of the dimensions shown shall be provided for each bearing.
Keyway surfaces shall be cleaned to remove form oil or other bond breaking material prior to shipment of the beams. Cleaning shall be done by sandblasting the keyway areas between top of the beam and the bottom edge of the key.
Corrosion inhibitor, as covered in the Special Provisions, shall be used in the concrete for precast prestressed concrete deck beams.
Required Release Strength, f'ci, shall be 4000 p.s.i.

BEAM DETAILS
F.A. RT. 782
GALLATIN COUNTY
SN 030-0018

DESIGNED	V.H.V.
CHECKED	S.J.B.
DRAWN	Drew Christopher
CHECKED	V.H.V. S.J.B.

April 11, 2005
EXAMINED John A. Morris
ENGINEER OF STRUCTURAL SERVICES
PASSED Ralph E. Anderson
ENGINEER OF BRIDGES AND STRUCTURES

10-22-04