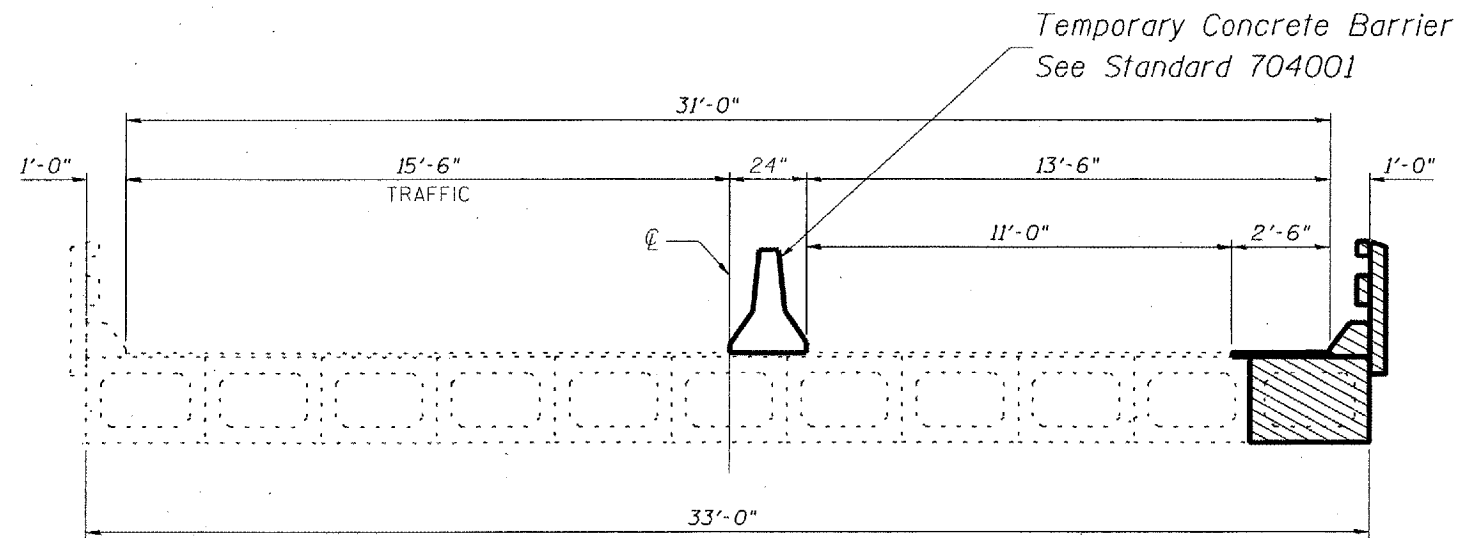
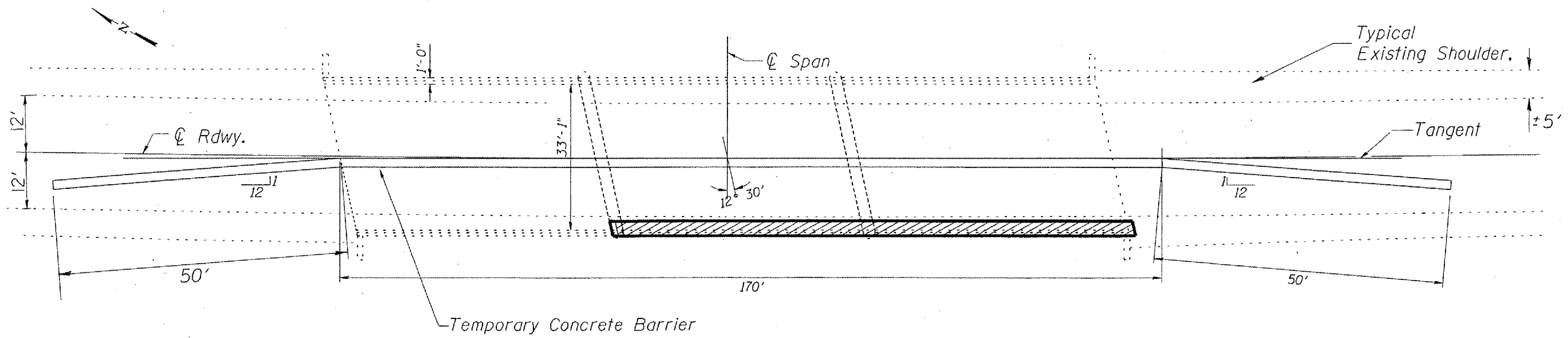


STATE OF ILLINOIS
DEPARTMENT OF TRANSPORTATION

CONTRACT NO. 98920			
ROUTE NO.	SECTION	COUNTY	TOTAL SHEETS
F.A.P. 782	*	GALLATIN	7
FED. ROAD DIST. NO. 7	ILLINOIS	PROJECT	
*FY 05 BEAM REPLACEMENT			



**TEMPORARY CONCRETE BARRIER
LOOKING SOUTH**