

TABLE "1"

Wall Panel #	Dimension "A"	Dimension "B"
1	3'-10"	3'-2 1/2"
2	3'-11"	3'-7 1/2"
3	3'-5"	3'-4 1/2"
4	4'-3"	3'-1 1/2"
5	3'-9"	2'-10 1/2"
6	3'-0"	2'-7 5/8"
7	5'-3"	2'-4 5/8"

Location of 12" pipe varies at each panel. See Plan & Sec. A-A (sheet 18). Cut or shift rebars to clear pipe as necessary.

Remove existing 6" thick concrete fish ladder panels & replace with 8" thick panels.

Anchor Rods (4 per angle-
equally spaced) See Anchor
Rod Detail on sheet 20

5- #4v(E), v1(E), v2(E), v3(E), v4(E) or v5(E) bars
Each Face (See Bar Table)

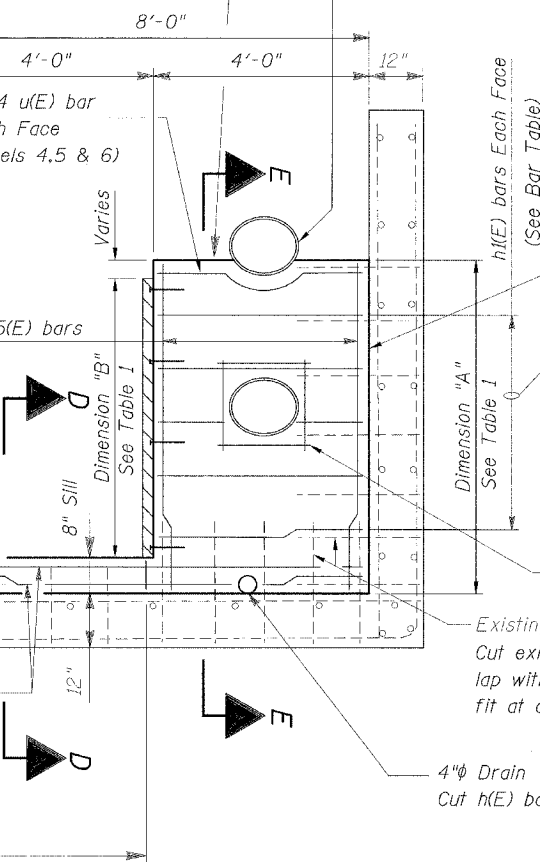
Cut sill bars to provide
2" end clearance*

2 1/2" x 2 1/2" x 3/8" Galvanized Steel
Double Angles bolted to side
wall and baffle

Bonded Construction Joint

2- #4h(E) bars Each Face

5- #4d(E) @ 12" cts.



SECTION B-B

(TYP. SECTION THRU FISH LADDER)

Note: If existing reinforcement is damaged, Contractor shall drill and epoxy grout a new bar 8" depth, at his expense in accordance with Section 584 of the Std. Spec's.

BAR TABLE

WALL PANEL #	VERT. BAR DESIGNATION	# OF h(E) BARS IN EACH FACE
1	v(E)	3
2	v(E)	3
3	v1(E)	3
4	v2(E)	4
5	v3(E)	3
6	v4(E)	3
7	v5(E)	6

Bonded Construction Joint

For Panels 1, 3, 5, and 7, provide 5- #4h2(E) bars
Each Face epoxy grouted 8" into side wall
in accordance with Sec. 584 of Std. Spec's.
Space bars to miss HDPE pipe; do not cut.

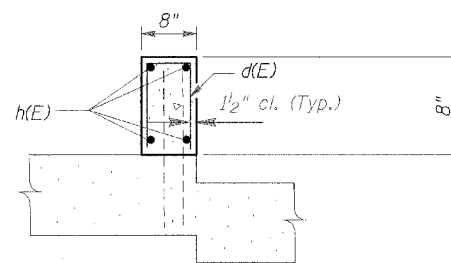
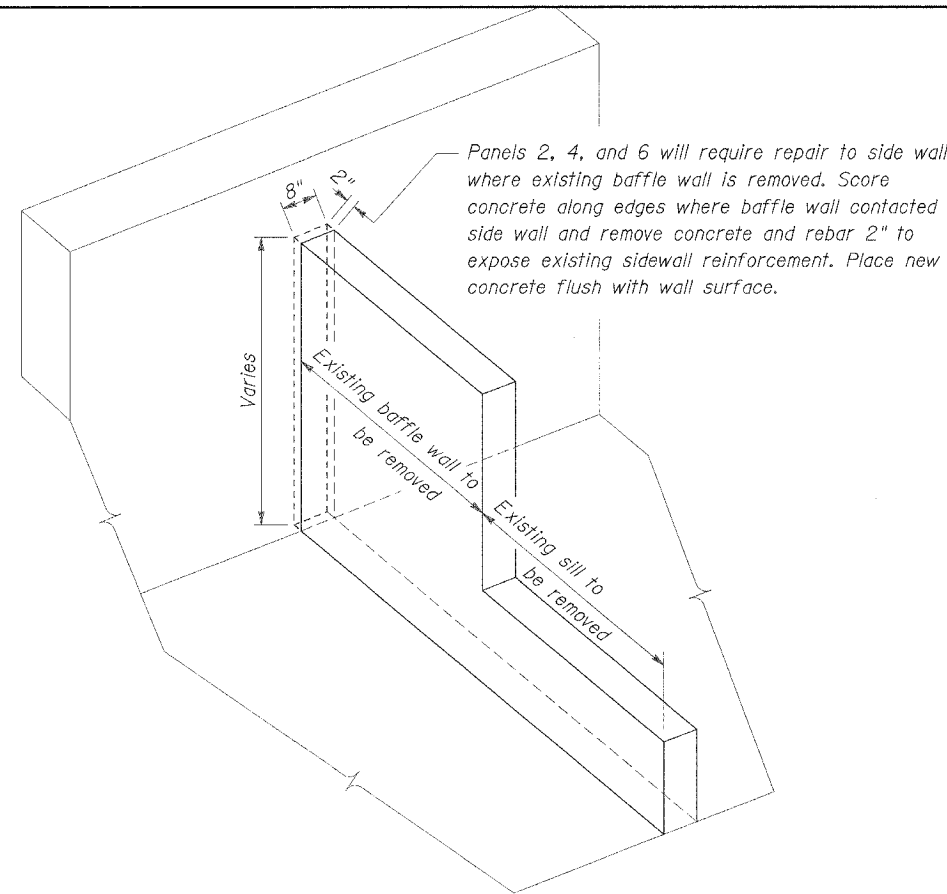
4- #4 d(E) bars Each Face
(Panels 1, 2, 3, & 7) Clear pipe by 2"

Existing #4 bars @ 12" cts. in each face*
Cut existing bars 1'-8" from side walls and
lap with proposed reinforcement. Cut to
fit at cradle.

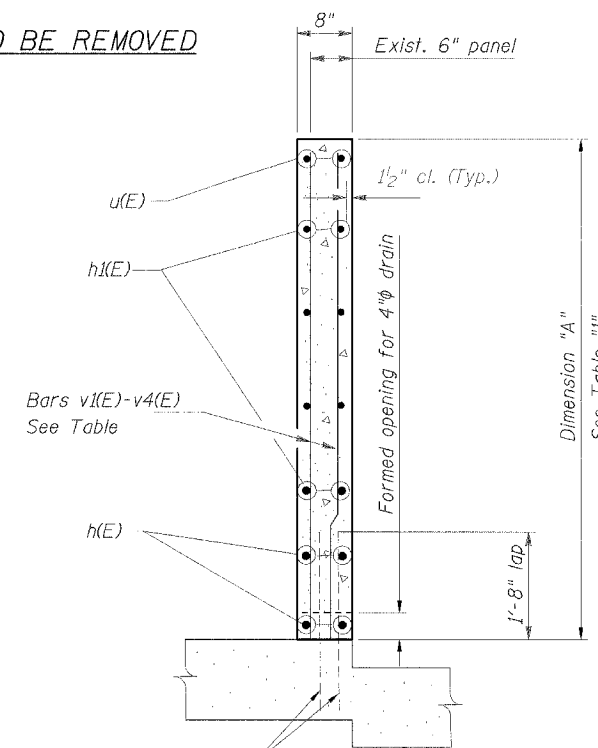
4" Drain
Cut h(E) bars to clear drain

*The existing reinforcement bars extending into new concrete shall be cleaned, straightened and incorporated into new construction. The bars that are not being incorporated shall be burned off 2" into existing wall. Grind existing bars smooth and fill hole with epoxy mortar. Cost included with Concrete Removal.

VIEW SHOWING EXISTING BAFFLE WALLS TO BE REMOVED



SECTION D-D



SECTION E-E

Designed by T.M.M. checked by J.J.F.
Drawn by J.J.F. checked by T.M.M.