



HANSON PROFESSIONAL SERVICES INC.
 815 Commerce Drive, Suite 200
 Oak Brook, Illinois 60523
 Telephone: 630.990.3800
 Fax: 630.990.3801



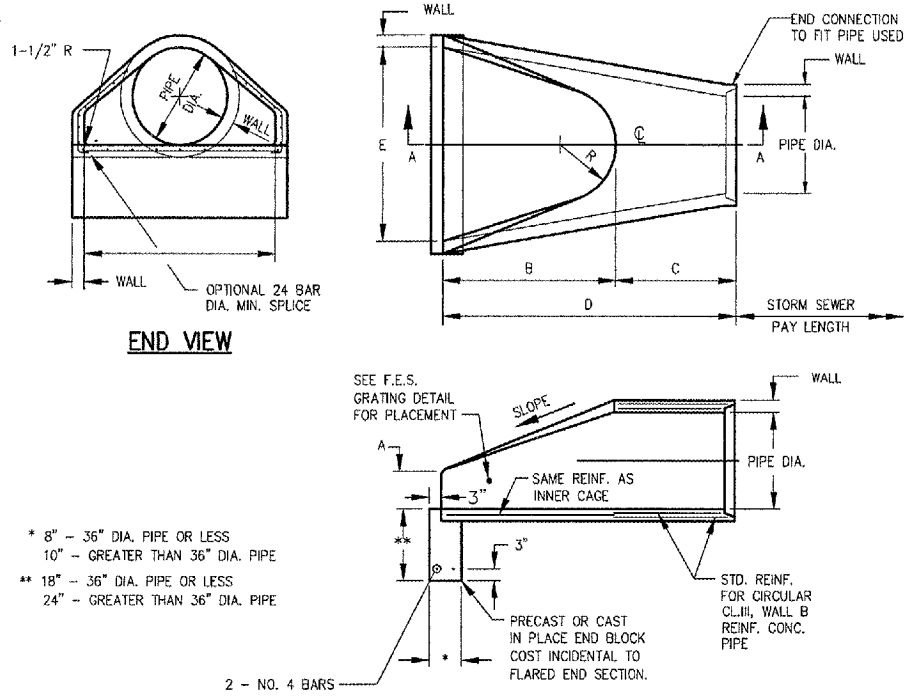
JOLIET REGIONAL PORT DISTRICT

1 Hangar Road
 Romeoville, Illinois 60446
 Telephone: 815.838.9497
 Fax: 815.838.9524

SOUTHWEST CORPORATE AREA,
 GRADING AND DRAINAGE, PHASE 1

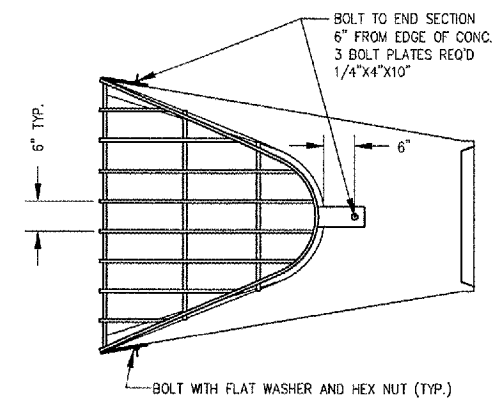
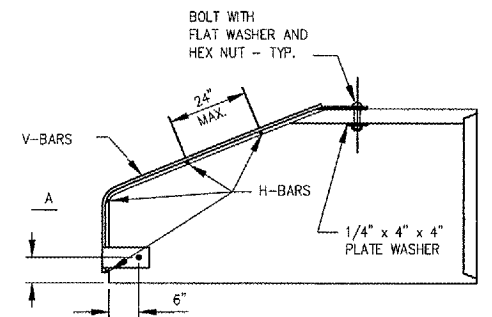
AIP PROJECT NO. 3-17-0140-B39
 IDA PROJECT NO. LOT-3498

PIPE DIA.	WALL	A	B	C	D	E	R	SLOPE
12"	2"	4"	2'-0"	4'-0 7/8"	6'-0 7/8"	2'-0"	9"	3:1
15"	2 1/4"	6"	2'-3"	3'-10"	6'-1"	2'-6"	11"	3:1
18"	2 1/2"	9"	2'-3"	3'-10"	6'-1"	3'-0"	12"	3:1
21"	2 3/4"	9"	2'-11"	3'-2"	6'-1"	3'-6"	13"	3:1
24"	3"	9 1/2"	3'-7 1/2"	2'-6"	6'-1 1/2"	4'-0"	14"	3:1
27"	3 1/4"	10 1/2"	4'-0"	2'-1 1/2"	6'-1 1/2"	4'-6"	14 1/2"	3:1
30"	3 1/2"	1'-0"	4'-6 1/2"	1'-7 3/4"	6'-1 3/4"	5'-0"	15"	3:1
33"	3 3/4"	1'-1 1/2"	4'-10 1/2"	3'-3 1/4"	8'-1 3/4"	5'-6"	17 1/2"	3:1
36"	4"	1'-3"	5'-3"	2'-10 3/4"	8'-1 3/4"	6'-0"	20"	3:1
42"	4 1/2"	1'-9"	5'-3"	2'-11"	8'-2"	6'-6"	22"	3:1
48"	5"	2'-0"	6'-0"	2'-2"	8'-2"	7'-0"	22"	3:1
54"	5 1/2"	2'-3"	5'-5"	2'-11"	8'-4"	7'-6"	24"	2.4:1



DIA. INCHES	V-BAR SIZE	H-BAR SIZE	No. OF H-BARS REQ'D.	BOLT DIA. INCHES	
				"A" DIM.	"B" DIM.
12	1/2#	5/8#	3	1/2	4
15	1/2#	5/8#	3	1/2	4 1/2
18	1/2#	5/8#	4	1/2	4 1/2
21	1/2#	5/8#	4	1/2	5
24	5/8#	3/4#	4	1/2	5
27	5/8#	3/4#	4	1/2	5 1/2
30	5/8#	3/4#	4	1/2	5 1/2
36	3/4#	1#	4	3/4	8
42	3/4#	1#	4	3/4	8
48	3/4#	1#	5	3/4	8
54	3/4#	1-1/2 PIPE	5	3/4	8
24 X 38 ELLIPTICAL	3/4#	1#	5	3/4	8

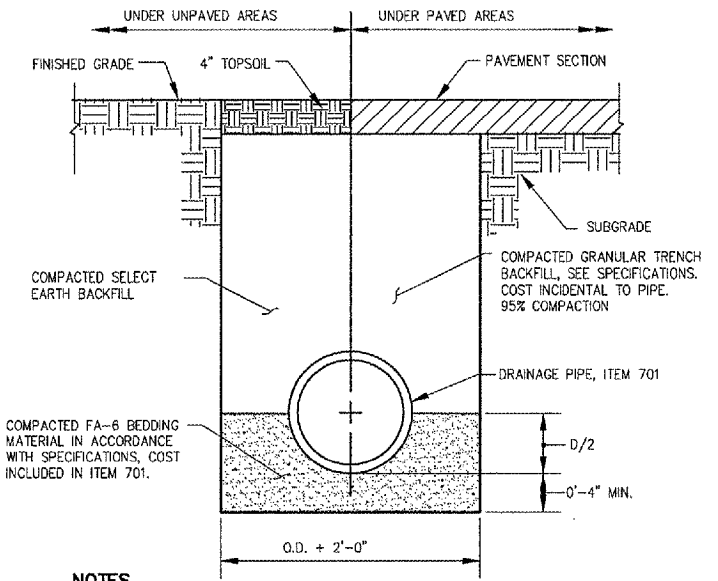
- NOTES
1. BARS AND PLATES ARE HOT ROLLED STEEL.
 2. BARS, PLATES, PIPE AND BOLTS ARE GALVANIZED.



- NOTES
1. GRATING SHALL BE PAID FOR UNDER ITEM AR752518.
 2. THE END BLOCK SHALL BE PLACED PRIOR TO THE INSTALLATION OF THE FLARED END SECTION. THE END BLOCK SHALL BE BACKFILLED IN ACCORDANCE WITH ARTICLE 502.10 OF IDOT SPECIFICATIONS, WITH COST INCIDENTAL TO FLARED END SECTION.
 3. PRECAST CONCRETE FLARED END SECTIONS SHALL CONFORM TO THE APPLICABLE REQUIREMENTS OF AASHTO M-170 CLASS III, WALL B REINFORCED CONCRETE PIPE.

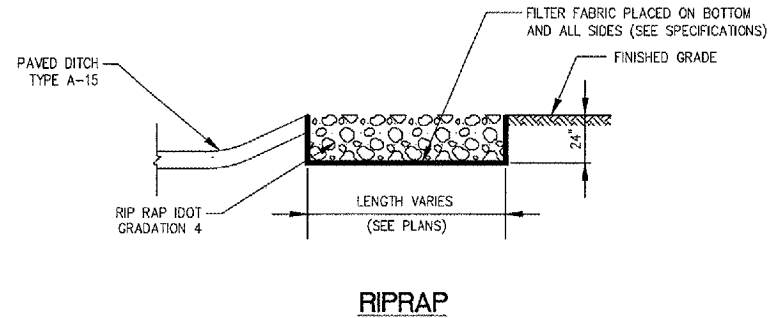
PRECAST CONCRETE FLARED END SECTION (IDOT STANDARD 542301) SECTION A-A

- * 8" - 36" DIA. PIPE OR LESS
- 10" - GREATER THAN 36" DIA. PIPE
- ** 18" - 36" DIA. PIPE OR LESS
- 24" - GREATER THAN 36" DIA. PIPE



- NOTES
1. UNSUITABLE MATERIAL ENCOUNTERED DURING PLACEMENT OF BEDDING SHALL BE REMOVED AND REPLACED.
 2. WITHIN 5 FEET OF PAVED AREA, GRANULAR BACKFILL IS TO BE USED INSTEAD OF EARTH BACKFILL.

PIPE TRENCH



- NOTE
1. COST OF FILTER FABRIC IS INCIDENTAL TO RIPRAP.
 2. WIDTH (W) OF RIPRAP VARIES, SEE PLAN.

RIPRAP

GRATING FOR FLARED END SECTION

STORM SEWER SCHEDULE

Structure	Station	Offset	Type	Diameter	Rim El.	Invert El.	Pay Length	Size	Slope %
S1	593+96	25' LT	AUTOMATIC DRAINAGE GATE	18"	N/A	665.00			
S2	593+10	25' RT	FES	18"	N/A	665.27	78.5'	18"	0.30

DETAILS SHOWN ARE NOT TO SCALE

No.	Drawing Issue Description	Date	By

Date
 MAY 6, 2005
 Sheet Title

DRAINAGE DETAILS

840-04D8042
 Project Number
 S.J.M. 04/07/05
 Layout By Date
 S.J.M. 04/07/05
 Designed By Date
 RMH/TMM 04/22/05
 Reviewed By Date
 S.J.M. --- | ---
 Drawn By Sheet No.

1:04:085 (02840) DRAINAGE DETAILS.DWG MAY 13, 2005 1:16PM TMM