



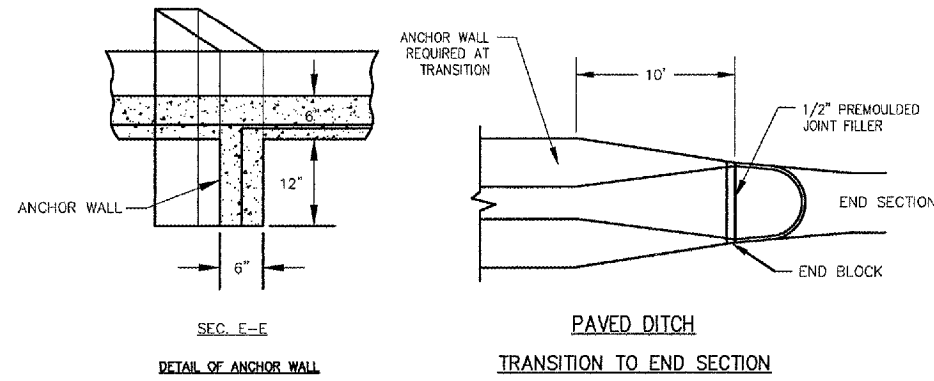
HANSON PROFESSIONAL SERVICES INC.
 815 Commerce Drive, Suite 200
 Oak Brook, Illinois 60523
 Telephone: 630.990.3800
 Fax: 630.990.3801



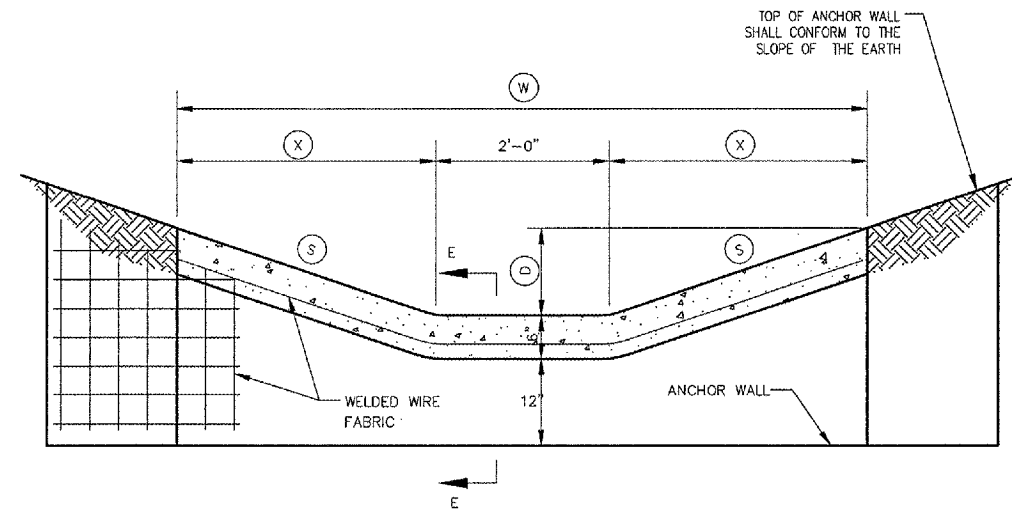
JOLIET REGIONAL PORT DISTRICT
 1 Hangar Road
 Romeoville, Illinois 60446
 Telephone: 815.838.9497
 Fax: 815.838.9524

SOUTHWEST CORPORATE AREA,
 GRADING AND DRAINAGE, PHASE 1

AIP PROJECT NO. 3-17-0140-B39
 IDA PROJECT NO. LOT-3498



TYPE	D	W	X	S
A-15	6"	5'-0"	1'-6"	1:3

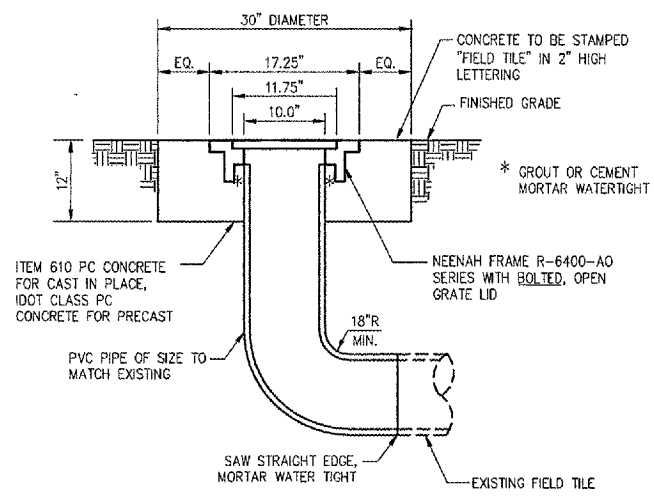


PAVED DITCH CROSS SECTION

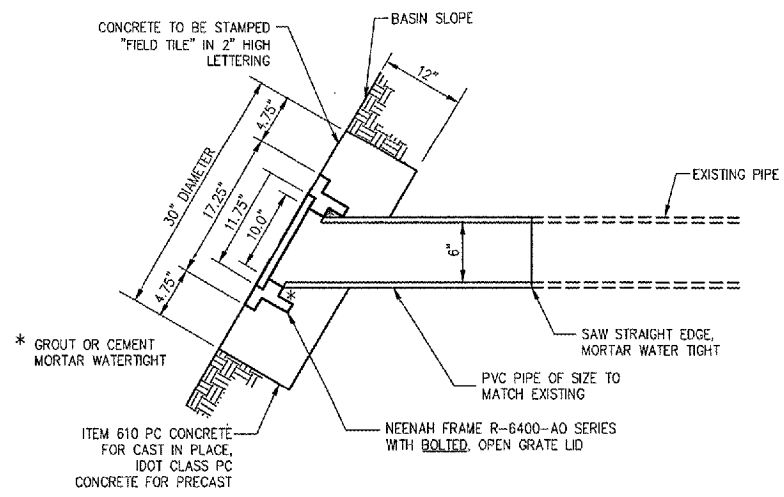
NOTES

- ITEM 610 PC CONCRETE SHALL BE USED THROUGHOUT.
- WELDED WIRE FABRIC SHALL BE 6"x6" MESH, #4 GAGE, 58 LBS. PER 100 SQ. FT., CONFORMING TO THE REQUIREMENTS OF AASHTO M-55.
- 1/2 INCH PREMOULDED JOINT FILLER SHALL BE PLACED AT THE JUNCTION OF PAVED DITCH WITH ANY OTHER STRUCTURE.
- ANCHOR WALLS SHALL BE SPACED AT NOT MORE THAN 50 FOOT INTERVALS.
- ANCHOR WALLS SHALL BE CONSTRUCTED MONOLITHICALLY WITH THE PAVED DITCH.
- AT THE OPTION OF THE CONTRACTOR, #3 REINFORCING BARS PLACED AT 12 INCH CENTERS LONGITUDINALLY IN PAVED DITCH AND VERTICALLY IN ANCHOR AND CUT-OFF WALLS MAY BE USED IN LIEU OF THE WELDED WIRE FABRIC.
- THE COST OF FURNISHING AND PLACING THE JOINT FILLER AND WELDED WIRE FABRIC OR THE #3 REINFORCING BARS WILL BE CONSIDERED INCIDENTAL TO THE COST OF THE PAVED DITCH.
- DUMMY GROOVED JOINTS ARE TO BE PLACED AT A SPACING NO TO EXCEED 15' APART. NO SECTION IS TO BE SHORTER THAN 4'.
- EXPANSION JOINTS WITH 1/2" PREMOULDED JOINT FILLER TO BE PLACED AT A SPACING NO GREATER THAN 75'.

**PAVED DITCH AND ANCHOR WALL
 IDOT STANDARD 2258-5**



FIELD TILE BELOW BASIN GRADE



FIELD TILE ABOVE BASIN GRADE

FIELD TILE COLLAR

DETAILS SHOWN ARE NOT TO SCALE

No.	Drawing Issue Description	Date	By

Date
 MAY 6, 2005
 Sheet Title

DRAINAGE DETAILS

840-04D8042	Project Number
SJM	04/07/05
SJM	04/07/05
RMH/TMM	04/22/05
SJM	---

A:\04\05\1008401\0408042\DRAWINGS\DETAILS-1.DWG MAY 13, 2005 1:18PM TMM