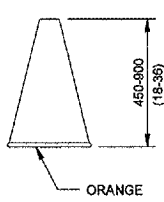
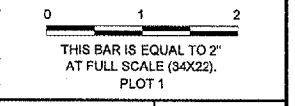
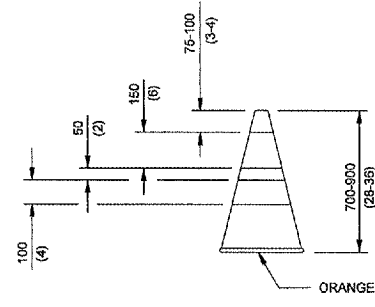


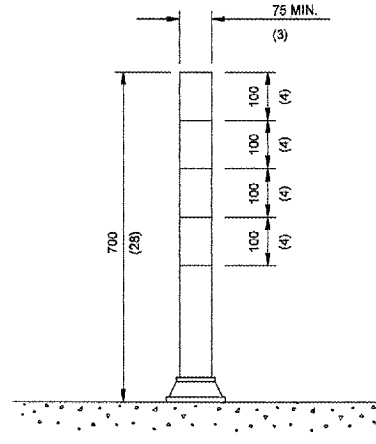
REVISIONS		
NUMBER	BY	DATE



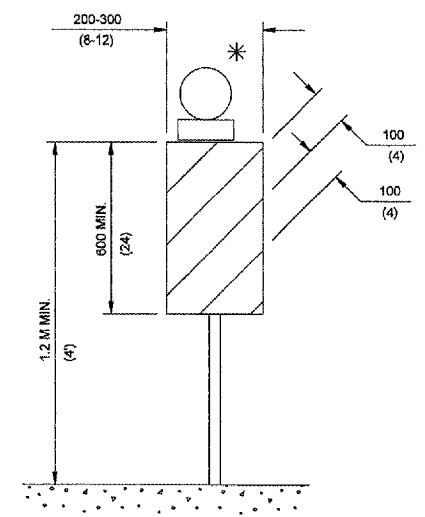
CONE



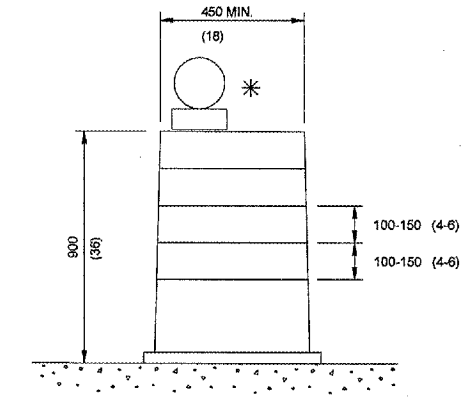
REFLECTORIZED CONE



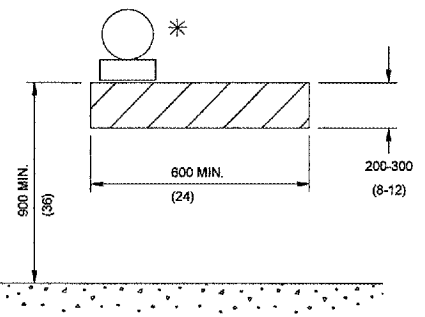
FLEXIBLE DELINEATOR



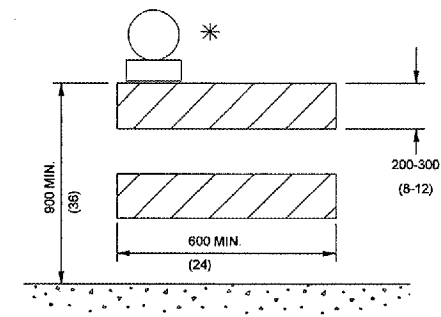
VERTICAL PANEL
POST MOUNTED



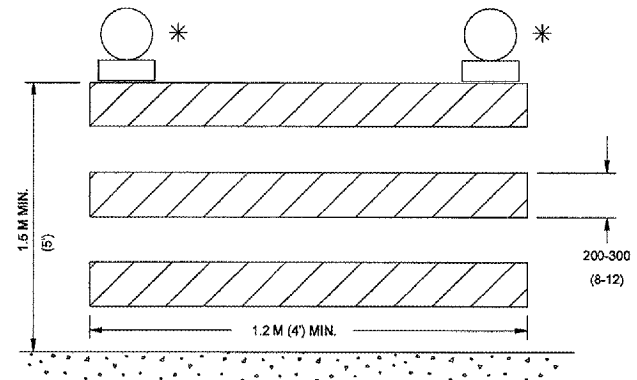
DRUM



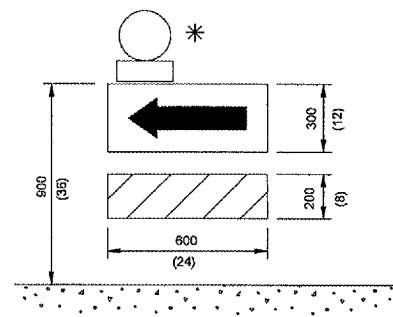
TYPE I BARRICADE



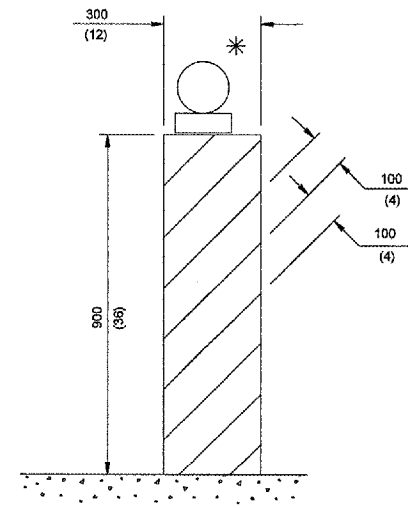
TYPE II BARRICADE



TYPE III BARRICADE



DIRECTION INDICATOR
BARRICADE



VERTICAL BARRICADE

GENERAL NOTES

* Warning lights (if required)

All heights shown shall be measured above the pavement surface.

All dimensions are in millimeters (inches) unless otherwise shown.

GREATER Peoria REGIONAL Airport

CONSTRUCT, LIGHT & MARK
 WEST LONG TERM PARKING LOT

CMT
 CRAWFORD, MURPHY & TILLY, INC.
 CONSULTING ENGINEERS

IL PROJECT NUMBER
PIA-3385

FILE:
 DESIGN BY: BWG
 DRAWN BY: JSP
 CHECKED BY: BJS
 APPROVED BY: CET
 DATE: JUNE 17, 2005
 JOB No: 05061-03-00

TRAFFIC CONTROL DEVICES
SHEET 1 OF 2
 SHEET 8 OF 41 SHEETS

DATE	REVISIONS
1-1-03	Rev. devices to meet NCHRP 350.
1-1-01	Added the word limits in Work Limit Signing det.
	Removed tubular marker.

TRAFFIC CONTROL DEVICES

(Sheet 1 of 3)

STANDARD 702001-03

Illinois Department of Transportation

APPROVED January 1, 2003

 ENGINEER OF OPERATIONS

APPROVED January 1, 2003

 ENGINEER OF DESIGN AND ENVIRONMENT

ISSUED 1-1-97

05/26/2005 K:\peoria\0506103\drawsheets\08_traffic_control_devices_1.dgn