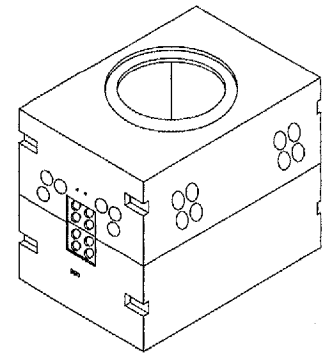


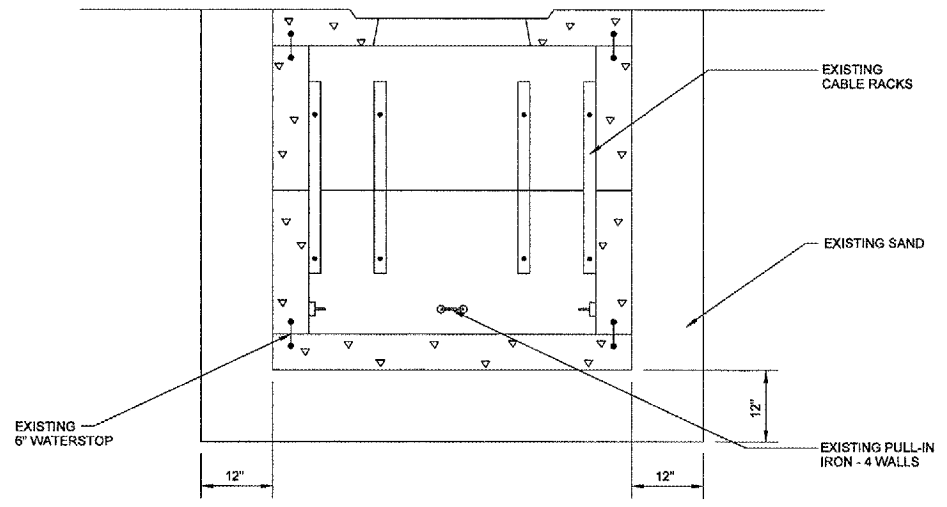
REVISIONS		
NUMBER	BY	DATE

0 1 2
 THIS BAR IS EQUAL TO 2"
 AT FULL SCALE (34X22).
 PLOT 1



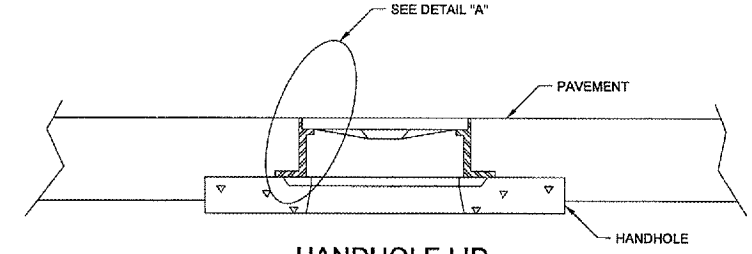
EXISTING ELECTRICAL HANDHOLE

N.T.S.
 NOTE: HANDHOLE IS 4'x4'.



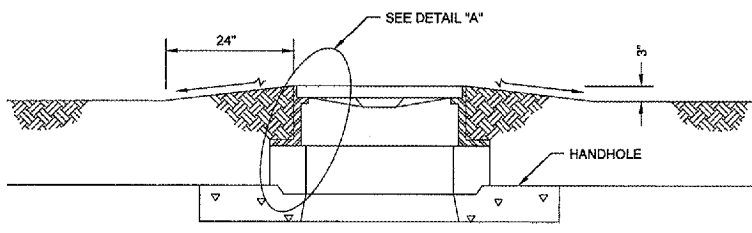
ELEVATION

N.T.S.



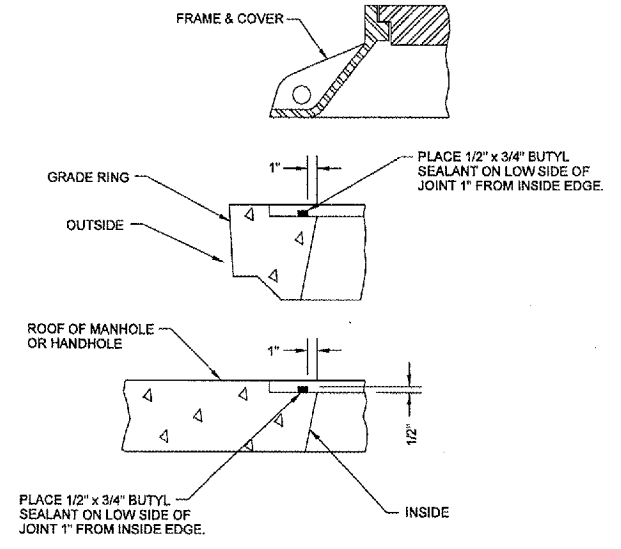
HANDHOLE LID INSTALLATION IN PAVEMENT

N.T.S.



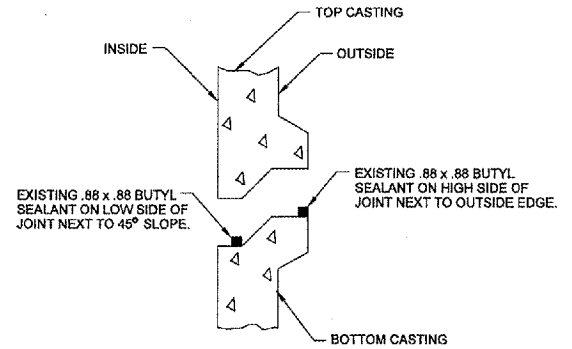
EXISTING HANDHOLE LID IN TURF

N.T.S.



GRADE RING DETAIL (A)

N.T.S.



DETAIL "B"

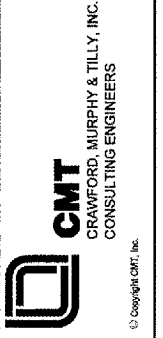
N.T.S.

ELECTRICAL HANDHOLE ADJUSTMENT DETAIL

- NOTES:
1. THE CONTRACTOR SHALL REMOVE THE EXISTING GRADE RING IN ORDER TO LOWER THE RIM ELEVATION 6". IF THE EXISTING GRADE RING IS 12", A NEW 6" RING SHALL BE INSTALLED IN PLACE OF THE 12" RING.
 2. THE CONTRACTOR SHALL TAKE CARE NOT TO DAMAGE THE EXISTING FIBER OPTIC CABLE. ANY DAMAGE TO THE FIBER OPTIC CABLE SHALL BE REPAIRED BY THE CONTRACTOR TO THE SATISFACTION OF THE AIRPORT DIRECTOR WITH NO ADDITIONAL COST TO THE OWNER.



CONSTRUCT, LIGHT & MARK
 WEST LONG TERM PARKING LOT



IL PROJECT NUMBER PIA-3385
FILE:
DESIGN BY: WDP
DRAWN BY: JSP
CHECKED BY: BWG
APPROVED BY: CET
DATE: JUNE 17, 2005
JOB No: 05061-03-00
ELECTRICAL DETAILS SHEET 2 OF 2
SHEET 30 OF 41 SHEETS