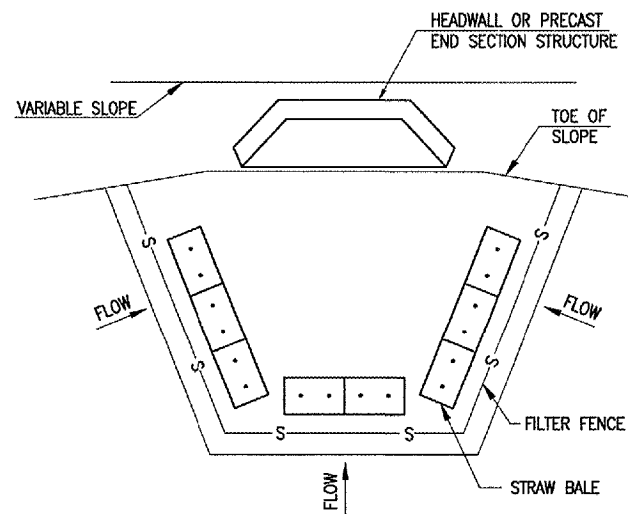
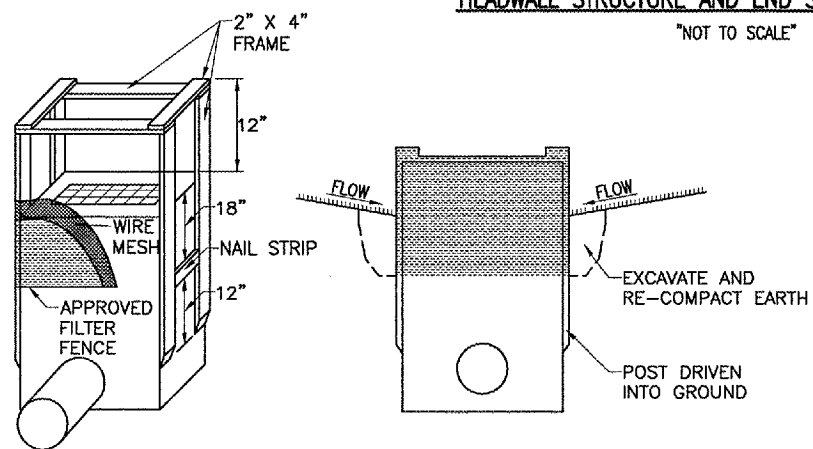


ANCHORING DETAIL

DITCH CHECK DETAIL  
"NOT TO SCALE"

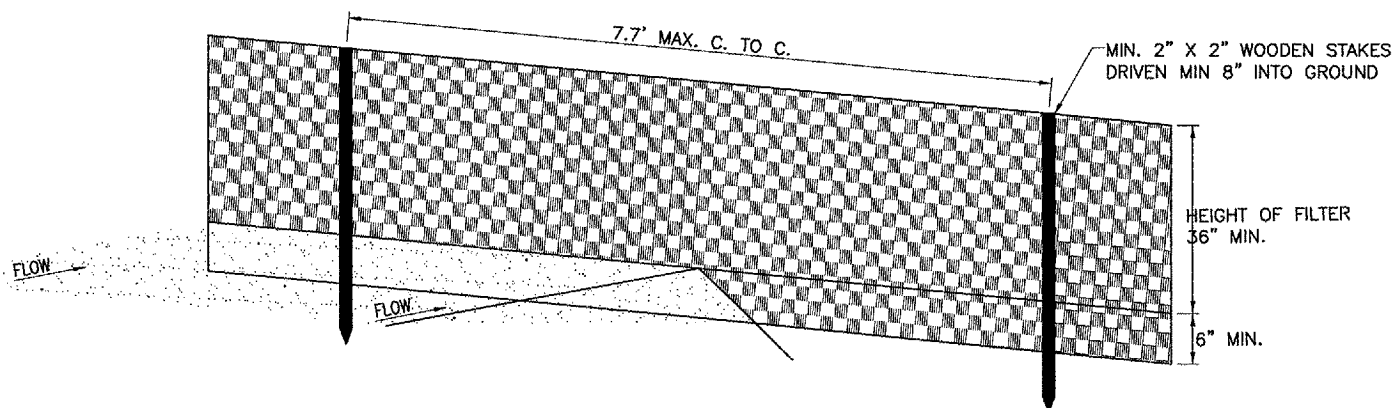


HEADWALL STRUCTURE AND END SECTION PROTECTION  
"NOT TO SCALE"



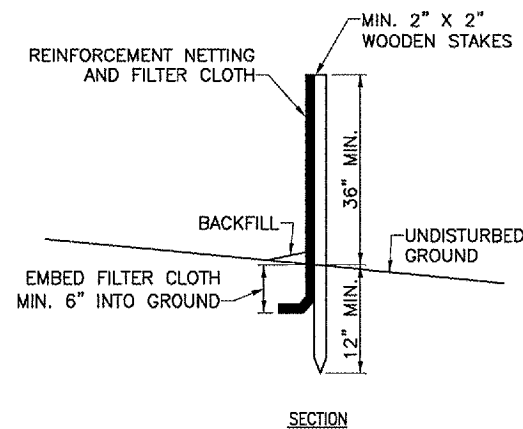
INLET PROTECTION DETAIL  
"NOT TO SCALE"

**NOTE**  
WIRE MESH, FRAMING MATERIAL, AND FILTER FENCE SHOWN ARE NOT INCLUDED IN PROJECT QUANTITIES AND ARE TO BE CONSIDERED INCIDENTAL TO ITEM AR156520 INLET PROTECTION, AND NO ADDITIONAL COMPENSATION WILL BE ALLOWED.



PERSPECTIVE VIEW

FILTER FENCE DETAIL  
"NOT TO SCALE"



SECTION

DATE	REVISION	BY

TAYLORVILLE MUNICIPAL AIRPORT  
TAYLORVILLE, ILLINOIS

HEL Project No. 828-03RWYGD_0800	File Name: R-581SWP.DWG	Scale: NTS	Date: 02/05/04
RAW	MDR	CAH	03/28/05
LAYOUT			
DRAWN			
REVIEWED			



CONSTRUCT RUNWAY 9-27  
PROPOSED STORMWATER POLLUTION PREVENTION DETAILS

APR 22, 2005 10:43 AM RAW I:\AIRPORTS\TAVILLE\828-03RWYGD\AIRPORT SHEETS\R-581SWP.DWG - SWPP DETAILS