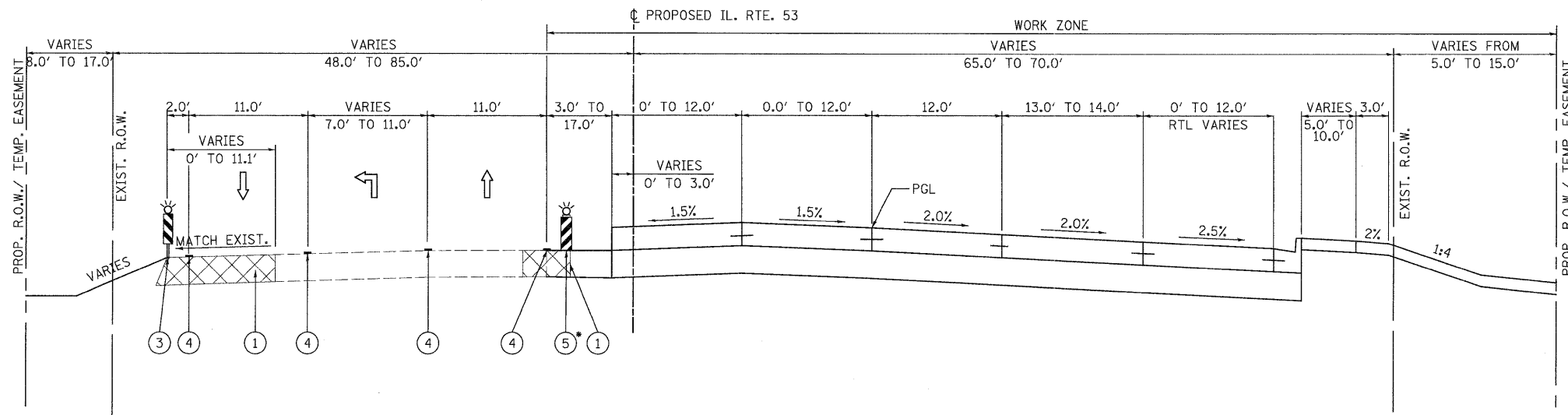
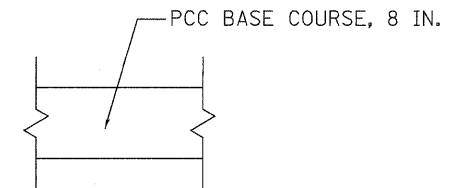
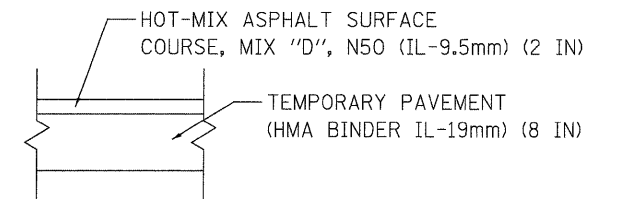


STAGE 1 - PHASE 1  
STA. 35+66.56 TO STA. 40+00.00



STAGE 1 - PHASE 1  
STA. 40+00.00 TO STA. 50+00.00  
⑤ TEMPORARY CONCRETE BARRIER FROM  
STA. 45+00.00 TO STA. 48+00.00

TEMPORARY PAVEMENT DETAILS  
(CONTRACTOR HAS THE OPTION OF USING HMA  
OR PCC SECTION FOR TEMPORARY PAVEMENT)

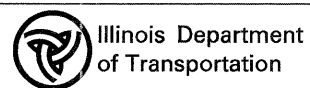


NOTE:  
(1) SEE MOT PLANS FOR LOCATIONS OF TEMPORARY PAVEMENT.

LEGEND

- ① TEMPORARY PAVEMENT (SEE SPECIAL PROVISION)
- ② TYPE II BARRICADES WITH STEADY BURNING LIGHTS (50 FT C-C TANGENTS, 25 FT C-C @ TAPERS & 12 FT C-C ALONG RADII)
- ③ VERTICAL PANELS WITH STEADY BURNING LIGHTS @ 50 FT C-C
- ④ TEMPORARY PAVEMENT MARKING
- ⑤ VERTICAL BARRICADES WITH STEADY BURNING LIGHTS (50 FT C-C @ TANGENTS, 25 FT C-C @ TAPERS & 12 FT C-C ALONG RADII)

PATRICK ENGINEERING INC. 4970 VARSITY DRIVE LISLE, IL 60532 patrickengineering.com	USER NAME = okersten(Lisle.R)	DESIGNED - MJV	REVISED -
	PLOT CONFIG = POF(Grey_Large).plt	DRAWN - EJB	REVISED -
	PLOT SCALE = 1:6.66667	CHECKED - CPK	REVISED -
	PLOT DATE = 12/3/2010	DATE - 12/3/2010	REVISED -



ILLINOIS ROUTE 53 SUGGESTED MAINTENANCE OF TRAFFIC TYPICAL SECTIONS - STAGE 1 PHASE 1		F.A. RTE.	SECTION	COUNTY	TOTAL SHEETS	SHEET NO.
		2578	532B	DUPAGE	781	110
SCALE: 1"=50'		SHEET MOT-04 OF 136		STA. TO STA.		FED. ROAD DIST. NO. ILLINOIS FED. AID PROJECT
						CONTRACT NO. 60477