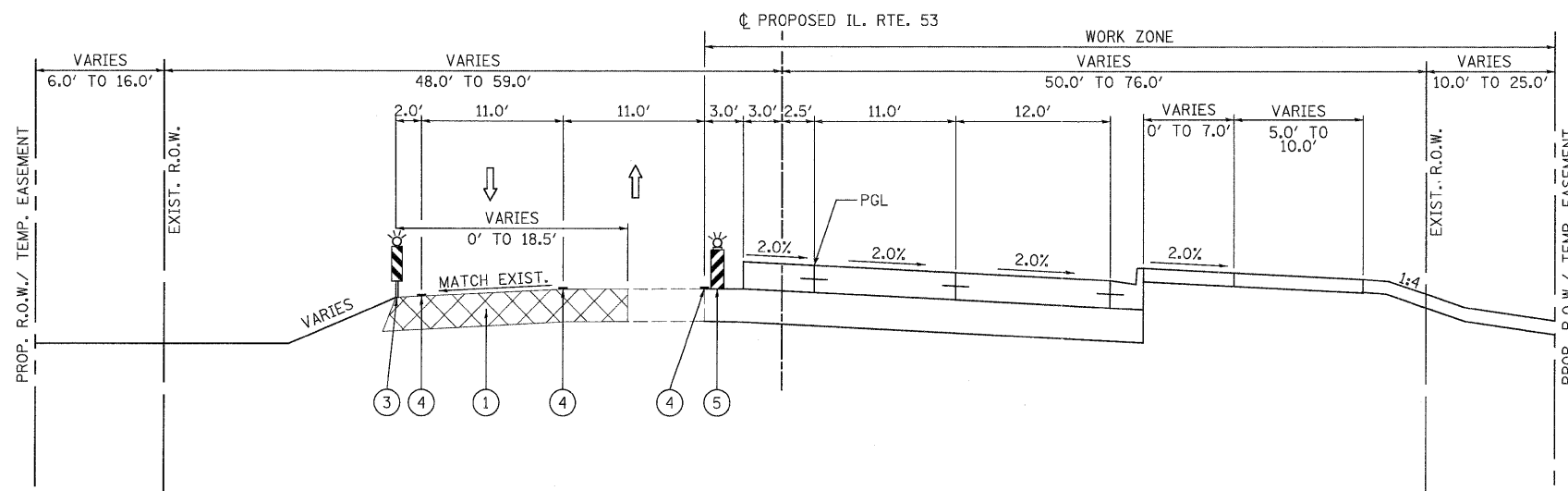


STAGE 1 - PHASE 1  
STA. 50+00.00 TO STA. 58+78.73

LEGEND

- ① TEMPORARY PAVEMENT (SEE SPECIAL PROVISION)
- ② TYPE II BARRICADES WITH STEADY BURNING LIGHTS (50 FT C-C TANGENTS, 25 FT C-C @ TAPERS & 12 FT C-C ALONG RADII)
- ③ VERTICAL PANELS WITH STEADY BURNING LIGHTS @ 50 FT C-C
- ④ TEMPORARY PAVEMENT MARKING
- ⑤ VERTICAL BARRICADES WITH STEADY BURNING LIGHTS (50 FT C-C @ TANGENTS, 25 FT C-C @ TAPERS & 12 FT C-C ALONG RADII)



STAGE 1 - PHASE 1  
STA. 58+78.73 TO STA. 103+79.28

NOTE:  
CONSTRUCT TEMPORARY PAVEMENT FOR USE IN STAGE 2

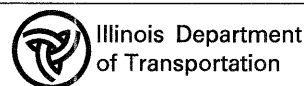


PATRICK ENGINEERING INC.  
4970 VARSITY DRIVE  
LISLE, IL 60532  
patrickengineering.com

USER NAME = okersten\lisle\_R  
PLOT CONFIG = PDFFigLarge.plt  
PLOT SCALE = 1:6.66667  
PLOT DATE = 12/3/2010

DESIGNED - MJV  
DRAWN - EJB  
CHECKED - CPK  
DATE - 12/3/2010

REVISED -  
REVISED -  
REVISED -  
REVISED -



ILLINOIS ROUTE 53  
SUGGESTED MAINTENANCE OF TRAFFIC  
TYPICAL SECTIONS - STAGE 1 PHASE 1

SCALE: 1"=50' SHEET MOT-05 OF 136 STA. TO STA.

F.A. RTE.	SECTION	COUNTY	TOTAL SHEETS	SHEET NO.
2578	532B	DUPAGE	781	111
FED. ROAD DIST. NO. ILLINOIS FED. AID PROJECT			CONTRACT NO. 60477	