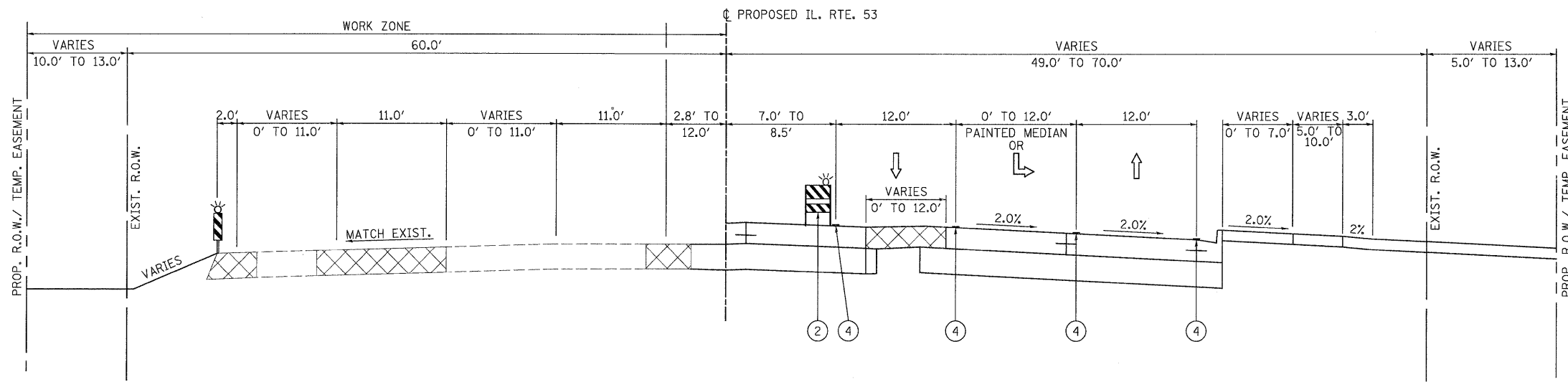


STAGE 2 - PHASE 1
STA. 103+51.16 TO STA. 119+00.00

LEGEND

- ① TEMPORARY PAVEMENT (SEE SPECIAL PROVISION)
- ② TYPE II BARRICADES WITH STEADY BURNING LIGHTS (50 FT C-C TANGENTS, 25 FT C-C @ TAPERS & 12 FT C-C ALONG RADII)
- ③ VERTICAL PANELS WITH STEADY BURNING LIGHTS @ 50 FT C-C
- ④ WET TEMPORARY PAVEMENT MARKING TAPE
- ⑤ VERTICAL BARRICADES WITH STEADY BURNING LIGHTS (50 FT C-C @ TANGENTS, 25 FT C-C @ TAPERS & 12 FT C-C ALONG RADII)



STAGE 2 - PHASE 1
STA. 119+00.00 TO STA. 129+36.90

Q:\DOT\9356_AB_IL53\Drawings\CADD Sheets\019139797-aht-stagingtypical-110-171.dgn