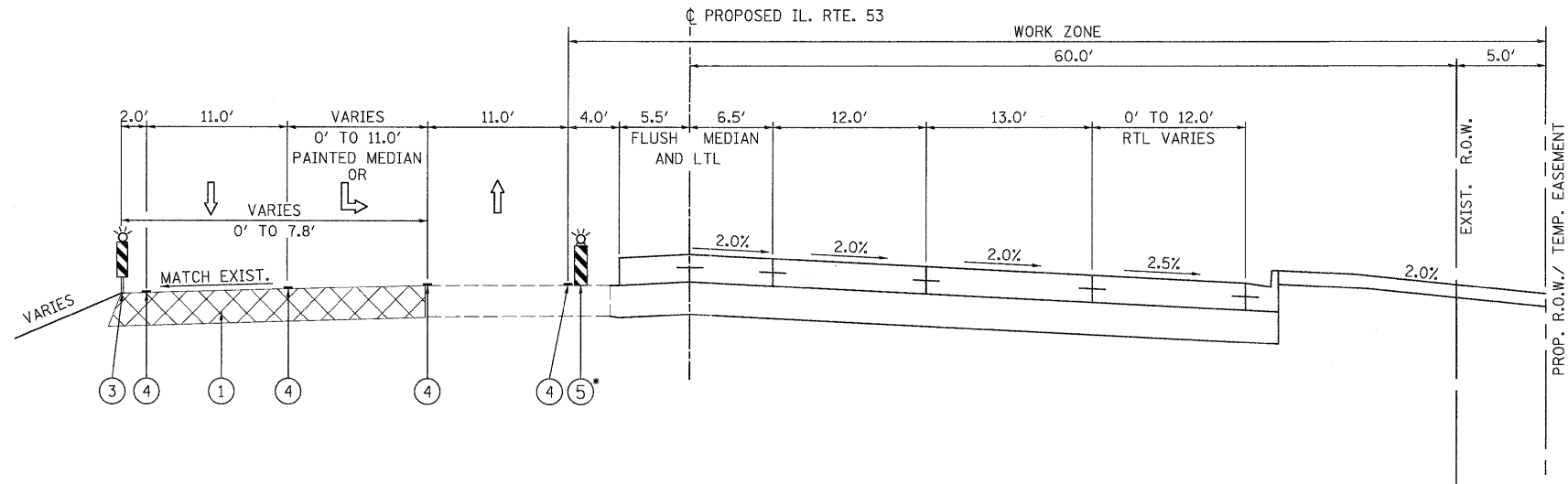


PRESTAGE AND STAGE 1 - PHASE 2
 STA. 238+01.79 TO STA. 245+01.79
 (2)* TEMPORARY CONCRETE BARRIER FROM
 STA. 240+30.00 TO STA. 245+01.79

- LEGEND**
- (1) TEMPORARY PAVEMENT (SEE SPECIAL PROVISION)
 - (2) TYPE II BARRICADES WITH STEADY BURNING LIGHTS (50 FT C-C TANGENTS, 25 FT C-C @ TAPERS & 12 FT C-C ALONG RADII)
 - (3) VERTICAL PANELS WITH STEADY BURNING LIGHTS @ 50 FT C-C
 - (4) TEMPORARY PAVEMENT MARKING
 - (5) VERTICAL BARRICADES WITH STEADY BURNING LIGHTS (50 FT C-C @ TANGENTS, 25 FT C-C @ TAPERS & 12 FT C-C ALONG RADII)



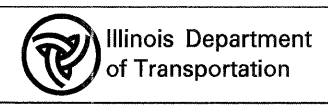
PRESTAGE AND STAGE 1 - PHASE 2
 STA. 245+01.79 TO STA. 250+33.02
 (5)* TEMPORARY CONCRETE BARRIER FROM
 STA. 245+01.79 TO STA. 246+40.00

PATRICK ENGINEERING INC.
 4970 VARSITY DRIVE
 LISLE, IL 60532
 patrickengineering.com

USER NAME = ckerster(Lisle,IL)
 PLOT CONFIG = PDFGreg_Large.plt
 PLOT SCALE = 1:6,666.67
 PLOT DATE = 12/3/2010

DESIGNED - MJV
 DRAWN - EJB
 CHECKED - CPK
 DATE - 12/3/2010

REVISED -
 REVISED -
 REVISED -
 REVISED -



ILLINOIS ROUTE 53
SUGGESTED MAINTENANCE OF TRAFFIC
TYPICAL SECTIONS - STAGE 1 PHASE 2
 SCALE: 1"=50' SHEET MOT-39 OF 136 STA. TO STA.

F.A. RTE.	SECTION	COUNTY	TOTAL SHEETS	SHEET NO.
2578	532B	DUPAGE	781	145
CONTRACT NO. 60477				

FED. ROAD DIST. NO. ILLINOIS FED. AID PROJECT

Q:\DOT\9356_A0\ILL53\Drawings\CADD Sheets\19139797-ht-stagingtypical.110-171.dgn