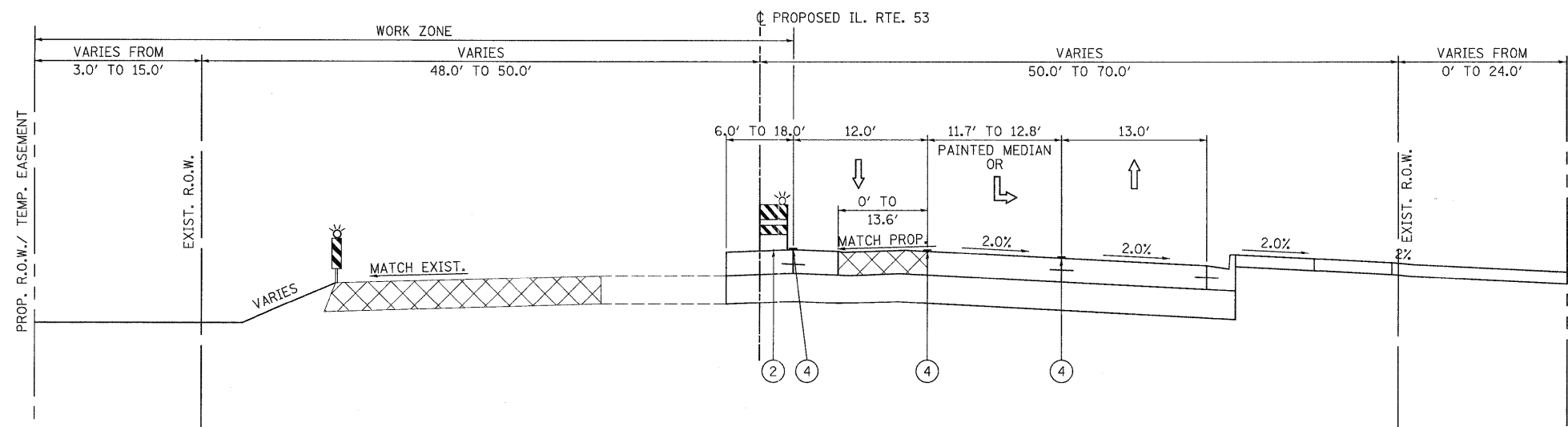


STAGE 2 - PHASE 2
STA. 193+95.74 TO STA. 202+67.57

LEGEND

- ① TEMPORARY PAVEMENT (SEE SPECIAL PROVISION)
- ② TYPE II BARRICADES WITH STEADY BURNING LIGHTS (50 FT C-C TANGENTS, 25 FT C-C @ TAPERS & 12 FT C-C ALONG RADII)
- ③ VERTICAL PANELS WITH STEADY BURNING LIGHTS @ 50 FT C-C
- ④ WET TEMPORARY PAVEMENT MARKING TAPE
- ⑤ VERTICAL BARRICADES WITH STEADY BURNING LIGHTS (50 FT C-C @ TANGENTS, 25 FT C-C @ TAPERS & 12 FT C-C ALONG RADII)



STAGE 2 - PHASE 2
STA. 202+67.57 TO STA. 208+67.57

PATRICK ENGINEERING INC. 4970 VARSITY DRIVE LISLE, IL 60532 patrickengineering.com	USER NAME = ckersten@lisle-ri	DESIGNED - MJV	REVISED -	Illinois Department of Transportation	ILLINOIS ROUTE 53 SUGGESTED MAINTENANCE OF TRAFFIC TYPICAL SECTIONS - STAGE 2 PHASE 2		F.A. RTE.	SECTION	COUNTY	TOTAL SHEETS	SHEET NO.
	PLOT CONFIG = PDF(Grey, Large).plt	DRAWN - EJB	REVISED -				2578	532B	DUPAGE	781	147
PLOT SCALE = 1/8"=66667	CHECKED - CPK	REVISIED -	REVISED -	SCALE: 1"=50'	SHEET MOT-41 OF 136	STA.	TO STA.	FED. ROAD DIST. NO.	ILLINOIS FED. AID PROJECT	CONTRACT NO. 60477	
PLOT DATE = 12/3/2010	DATE - 12/3/2010	REVISED -	REVISED -								

Q:\DOT\9356_A0_IL53\Drawings\CADD Sheets\19139797-ht-stagingtypical.110-171.dgn