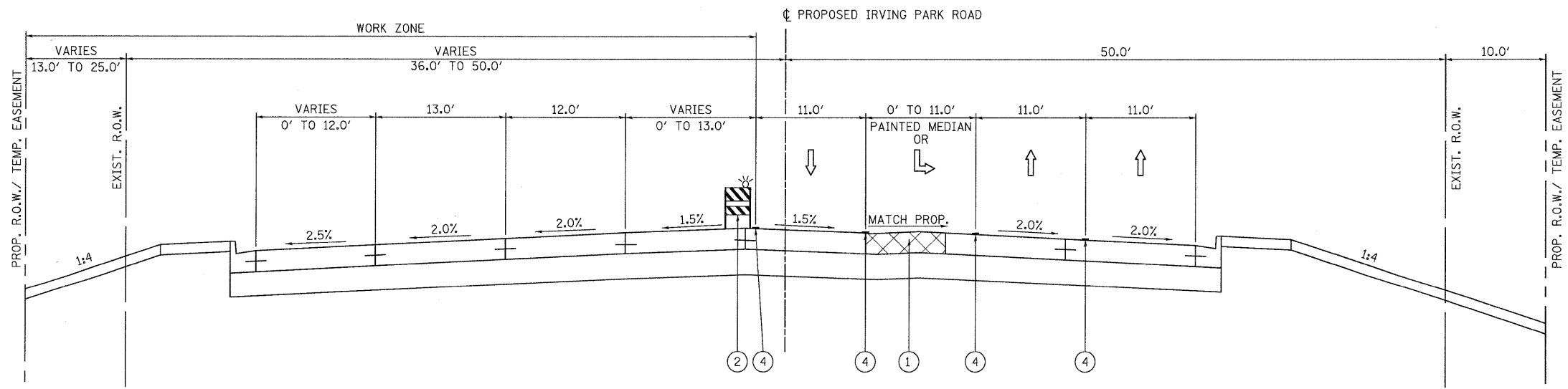


STAGE 1 SUB 3 - PHASE 2
STA. 4+06.69 TO STA. 15+00.00

LEGEND

- ① TEMPORARY PAVEMENT (SEE SPECIAL PROVISION)
- ② TYPE II BARRICADES WITH STEADY BURNING LIGHTS (50 FT C-C TANGENTS, 25 FT C-C @ TAPERS & 12 FT C-C ALONG RADII)
- ③ VERTICAL PANELS WITH STEADY BURNING LIGHTS @ 50 FT C-C
- ④ WET TEMPORARY PAVEMENT MARKING TAPE
- ⑤ VERTICAL BARRICADES WITH STEADY BURNING LIGHTS (50 FT C-C @ TANGENTS, 25 FT C-C @ TAPERS & 12 FT C-C ALONG RADII)



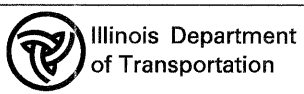
STAGE 1 SUB 3 - PHASE 2
STA. 15+00.00 TO STA. 25+00.00

PATRICK ENGINEERING INC.
4970 VARSITY DRIVE
LISLE, IL 60532
patrickengineering.com

USER NAME = akersten(Lisle_R)
PLOT CONFIG = PDF(Grey_Large).plt
PLOT SCALE = 1:6,86667
PLOT DATE = 12/3/2010

DESIGNED - MJV
DRAWN - EJB
CHECKED - CPK
DATE - 12/3/2010

REVISED -
REVISED -
REVISED -
REVISED -



IRVING PARK ROAD
SUGGESTED MAINTENANCE OF TRAFFIC
TYPICAL SECTIONS - STAGE 1 SUB 3 PHASE 2

SCALE: 1"=50' SHEET MOT-49 OF 136 STA. TO STA.

F.A. RTE.	SECTION	COUNTY	TOTAL SHEETS	SHEET NO.
2578	532B	DUPAGE	781	155
CONTRACT NO. 60477				