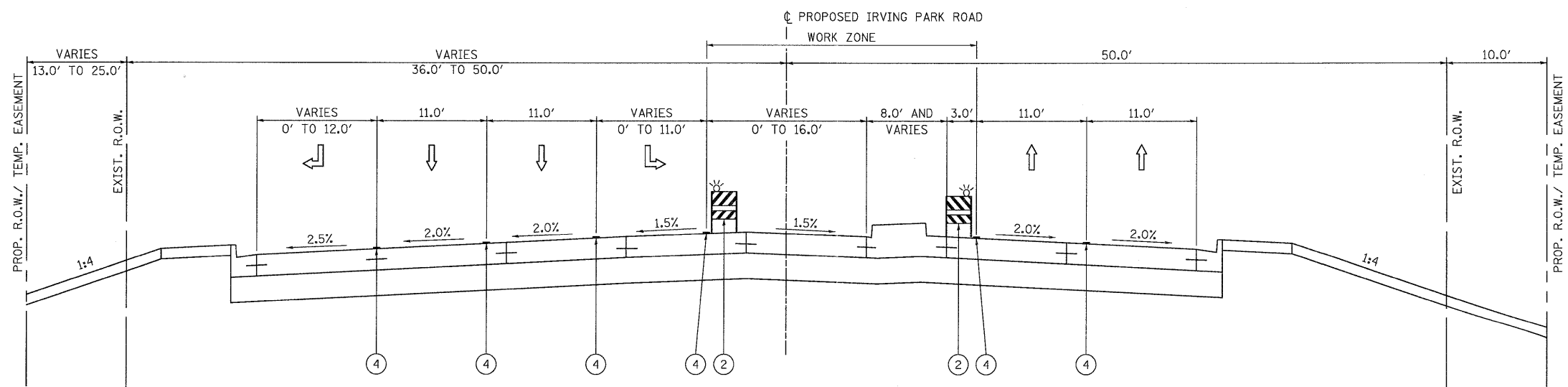


STAGE 3 - PHASE 2
STA. 4+06.69 TO STA. 15+00.00

LEGEND

- ① TEMPORARY PAVEMENT (SEE SPECIAL PROVISION)
- ② TYPE II BARRICADES WITH STEADY BURNING LIGHTS (50 FT C-C TANGENTS, 25 FT C-C @ TAPERS & 12 FT C-C ALONG RADII)
- ③ VERTICAL PANELS WITH STEADY BURNING LIGHTS @ 50 FT C-C
- ④ WET TEMPORARY PAVEMENT MARKING TAPE
- ⑤ VERTICAL BARRICADES WITH STEADY BURNING LIGHTS (50 FT C-C @ TANGENTS, 25 FT C-C @ TAPERS & 12 FT C-C ALONG RADII)



STAGE 3 - PHASE 2
STA. 15+00.00 TO STA. 25+00.00

G:\1001\9356.A8.(11.53)\Drawings\CADD Sheets\019139797-sht-staging\typical.110-171.dgn