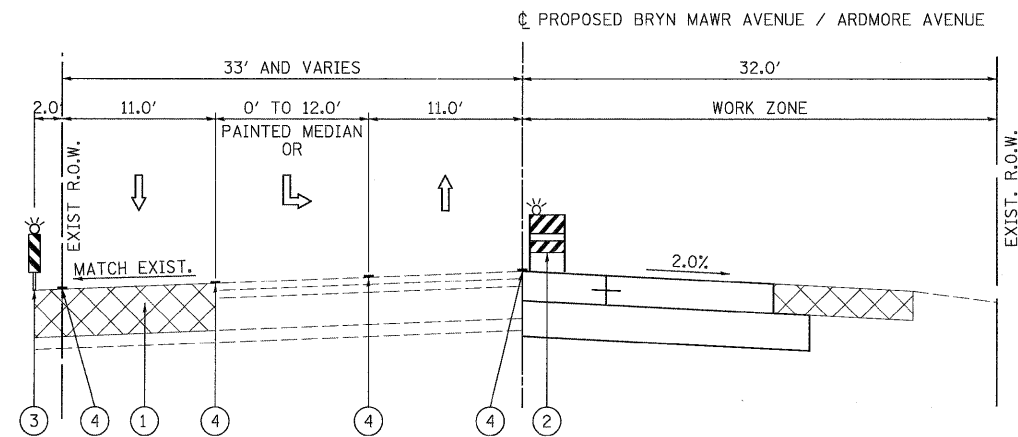


STAGE 1 SUB 1 - PHASE 2
 BRYN MAWR AVENUE STA. 9+51.69 TO STA. 15+00.00
 ARDMORE AVENUE STA. 9+66.20 TO STA. 15+00.00

LEGEND

- ① TEMPORARY PAVEMENT (SEE SPECIAL PROVISION)
- ② TYPE II BARRICADES WITH STEADY BURNING LIGHTS (50 FT C-C TANGENTS, 25 FT C-C @ TAPERS & 12 FT C-C ALONG RADII)
- ③ VERTICAL PANELS WITH STEADY BURNING LIGHTS @ 50 FT C-C
- ④ WET TEMPORARY PAVEMENT MARKING TAPE
- ⑤ VERTICAL BARRICADES WITH STEADY BURNING LIGHTS (50 FT C-C @ TANGENTS, 25 FT C-C @ TAPERS & 12 FT C-C ALONG RADII)



STAGE 1 SUB 1 - PHASE 2
 BRYN MAWR AVENUE STA. 15+00.00 TO STA. 20+44.33
 ARDMORE AVENUE STA. 15+00.00 TO STA. 19+11.91