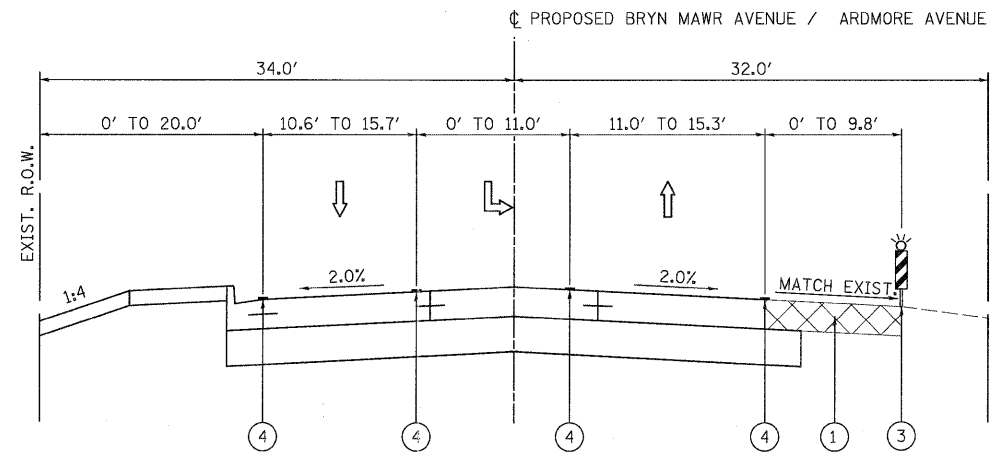


STAGE 2 SUB 2 - PHASE 2
 BRYN MAWR AVENUE STA. 9+51.69 TO STA. 15+00.00
 ARDMORE AVENUE STA. 9+66.20 TO STA. 15+00.00

LEGEND

- ① TEMPORARY PAVEMENT (SEE SPECIAL PROVISION)
- ② TYPE II BARRICADES WITH STEADY BURNING LIGHTS (50 FT C-C TANGENTS, 25 FT C-C @ TAPERS & 12 FT C-C ALONG RADII)
- ③ VERTICAL PANELS WITH STEADY BURNING LIGHTS @ 50 FT C-C
- ④ WET TEMPORARY PAVEMENT MARKING TAPE
- ⑤ VERTICAL BARRICADES WITH STEADY BURNING LIGHTS (50 FT C-C @ TANGENTS, 25 FT C-C @ TAPERS & 12 FT C-C ALONG RADII)



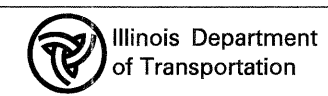
STAGE 2 SUB 2 - PHASE 2
 BRYN MAWR AVENUE STA. 15+00.00 TO STA. 20+44.33
 ARDMORE AVENUE STA. 15+00.00 TO STA. 19+11.91

PATRICK ENGINEERING INC.
 4970 VARSITY DRIVE
 LISLE, IL 60532
 patrickengineering.com

USER NAME = okersten@lisle.ri
 PLOT CONFIG = PDF(Grey, Large).plt
 PLOT SCALE = 1:6.66667
 PLOT DATE = 12/3/2010

DESIGNED - MJV
 DRAWN - EJB
 CHECKED - CPK
 DATE - 12/3/2010

REVISED -
 REVISED -
 REVISED -
 REVISED -



BRYN MAWR AVENUE / ARDMORE AVENUE
 SUGGESTED MAINTENANCE OF TRAFFIC
 TYPICAL SECTIONS - STAGE 2 SUB 2 PHASE 2

SCALE: 1"=50' SHEET M01-58 OF 136 STA. TO STA.

F.A. RTE.	SECTION	COUNTY	TOTAL SHEETS	SHEET NO.
257B	532B	DUPAGE	781	164
CONTRACT NO. 60477				
FED. ROAD DIST. NO. ILLINOIS FED. AID PROJECT				

G:\IDOT\9356_AB.(11.53)\Drawings\CADD Sheets\DI9139797-shr-stagingtypical.110-171.dgn