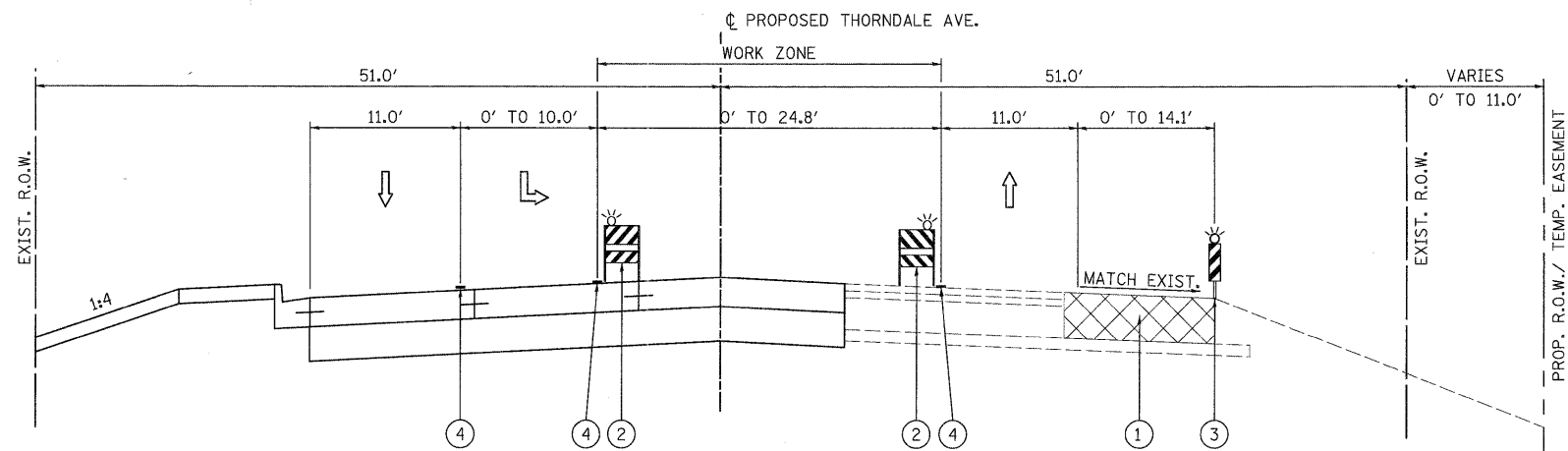


STAGE 1 SUB 2 - PHASE 2
STA. 10+94.48 TO STA. 15+00.00

LEGEND

- ① TEMPORARY PAVEMENT (SEE SPECIAL PROVISION)
- ② TYPE II BARRICADES WITH STEADY BURNING LIGHTS (50 FT C-C TANGENTS, 25 FT C-C @ TAPERS & 12 FT C-C ALONG RADII)
- ③ VERTICAL PANELS WITH STEADY BURNING LIGHTS @ 50 FT C-C
- ④ WET TEMPORARY PAVEMENT MARKING TAPE
- ⑤ VERTICAL BARRICADES WITH STEADY BURNING LIGHTS (50 FT C-C @ TANGENTS, 25 FT C-C @ TAPERS & 12 FT C-C ALONG RADII)



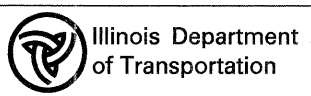
STAGE 1 SUB 2 - PHASE 2
STA. 15+00.00 TO STA. 20+77.72

PATRICK ENGINEERING INC.
4970 VARSITY DRIVE
LISLE, IL 60532
patrickengineering.com

USER NAME = ckersten@lisle.ri
PLOT CONFIG = PDF\Grey_Large.plt
PLOT SCALE = 1:6,666.67
PLOT DATE = 12/3/2010

DESIGNED - MJV
DRAWN - EJB
CHECKED - CPK
DATE - 12/3/2010

REVISED -
REVISED -
REVISED -
REVISED -



THORNDALE AVENUE
SUGGESTED MAINTENANCE OF TRAFFIC
TYPICAL SECTIONS - STAGE 1 SUB 2 PHASE 2
SCALE: 1"=50' SHEET MOT-61 OF 136 STA. TO STA.

F.A. RTE.	SECTION	COUNTY	TOTAL SHEETS	SHEET NO.
2578	532B	DUPAGE	781	167
FED. ROAD DIST. NO. ILLINOIS FED. AID PROJECT			CONTRACT NO. 60477	

G:\1001\9356.AB (11.53)\Drawings\CADD Sheets\19139797-sht-stagingtypical.110-171.dgn