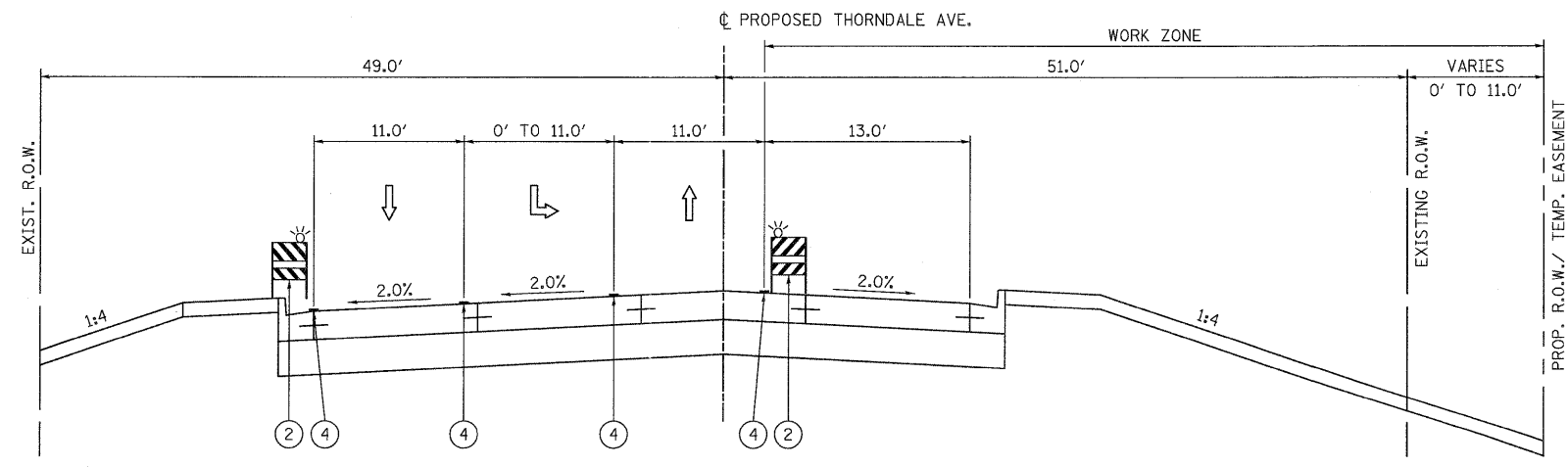


STAGE 1 SUB 3 - PHASE 2
STA. 10+94.49 TO STA. 15+00.00

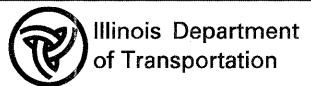
LEGEND

- ① TEMPORARY PAVEMENT (SEE SPECIAL PROVISION)
- ② TYPE II BARRICADES WITH STEADY BURNING LIGHTS (50 FT C-C TANGENTS, 25 FT C-C @ TAPERS & 12 FT C-C ALONG RADII)
- ③ VERTICAL PANELS WITH STEADY BURNING LIGHTS @ 50 FT C-C
- ④ WET TEMPORARY PAVEMENT MARKING TAPE
- ⑤ VERTICAL BARRICADES WITH STEADY BURNING LIGHTS (50 FT C-C @ TANGENTS, 25 FT C-C @ TAPERS & 12 FT C-C ALONG RADII)



STAGE 1 SUB 3 - PHASE 2
STA. 15+00.00 TO STA. 20+77.72

<p>PATRICK ENGINEERING INC. 4970 VARSITY DRIVE LISLE, IL 60532 patrickengineering.com</p>	USER NAME = ckersten@lisle.r	DESIGNED - MJV	REVISED -
	PLOT CONFIG = PDF(Grey, Large).plt	DRAWN - EJB	REVISED -
	PLOT SCALE = 1:6.66667	CHECKED - CPK	REVISED -
	PLOT DATE = 12/3/2010	DATE - 12/3/2010	REVISED -



THORNDALE AVENUE		F.A. RTE.	SECTION	COUNTY	TOTAL SHEETS	SHEET NO.
SUGGESTED MAINTENANCE OF TRAFFIC		2578	5328	DUPAGE	781	168
TYPICAL SECTIONS - STAGE 1 SUB 3 PHASE 2		SCALE: 1"=50'		SHEET MOT-62 OF 136	STA. TO STA.	CONTRACT NO. 60477

FED. ROAD DIST. NO.	ILLINOIS FED. AID PROJECT
---------------------	---------------------------

G:\1001\9256-AB-(L153)\Drawings\CADD Sheets\019139797-sht-stagingtypical.110-171.dgn