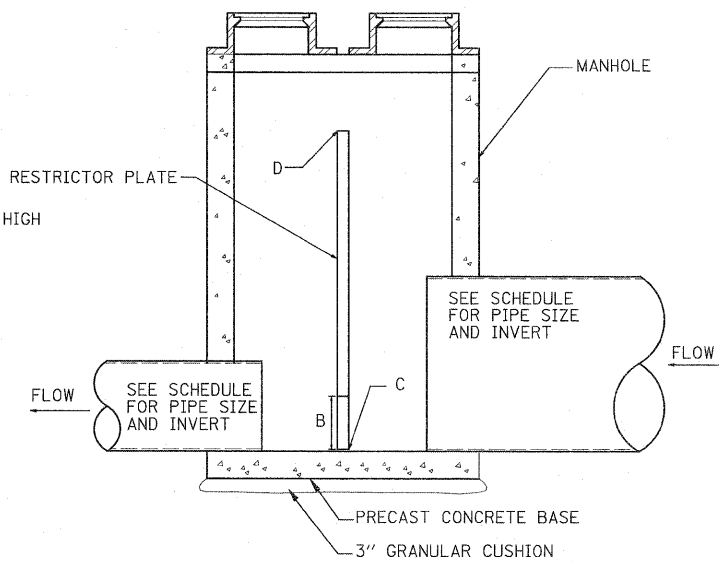
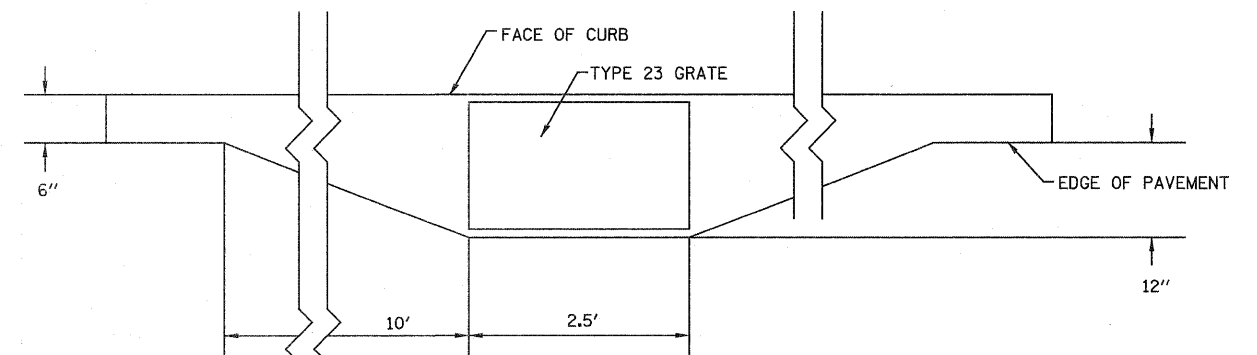


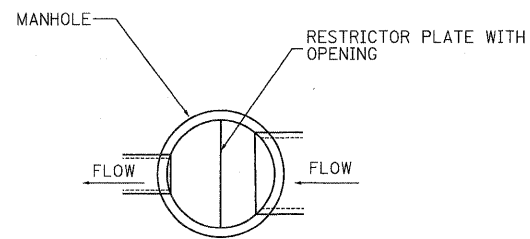
PLATE ELEVATION VIEW
N.T.S.



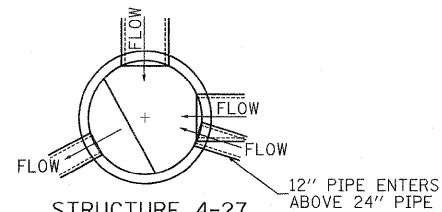
SECTION
N.T.S.



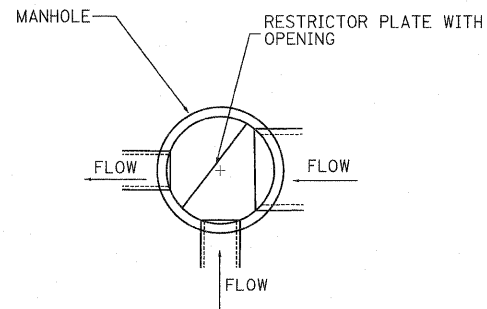
GUTTER FLARE DETAIL FOR TYPE 23 GRATE IN B6.6 GUTTER
N.T.S.



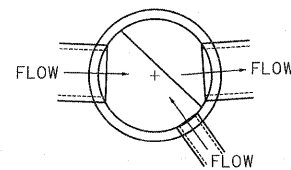
PLAN
SHOWING PIPE & RESTRICTOR ORIENTATIONS FOR TWO PIPES AT 180 DEGREES



STRUCTURE 4-27
SHOWING SPECIFIC PIPE & RESTRICTOR ORIENTATIONS



PLAN
SHOWING PIPE & RESTRICTOR ORIENTATIONS FOR THREE PIPES AT 90 DEGREES



STRUCTURE 14-30
SHOWING SPECIFIC PIPE & RESTRICTOR ORIENTATIONS

RESTRICTOR MANHOLE INFORMATION				
STRUCTURE NUMBER	DIMENSION			
	A	B	C	D
2-5	6'	18"	740.03	743.40
3-17	6'	24"	732.99	739.05
4-19	6'	14"	731.12	735.60
4-27	6'	12"	738.47	741.45
5-2	6'	12"	729.09	733.60
5-20	6'	12"	726.11	730.50
6-16	6'	18"	724.07	727.70
10-16	6'	30"	693.00	699.00
14-30	6'	21"	713.85	719.40
21-9	6'	15"	715.83	718.30

RESTRICTOR STRUCTURE DETAILS AND SCHEDULE

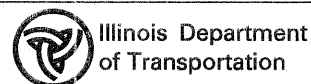
- A = MANHOLE DIAMETER
- B = ORIFICE DIAMETER
- C = ORIFICE INVERT ELEVATION (MAY NOT CORRESPOND TO STRUCTURE INVERT)
- D = TOP OF PLATE ELEVATION

PATRICK ENGINEERING
4970 VARSITY DRIVE
LISLE, IL 60532
patrickengineering.com

USER NAME = ddoerfler(Rdwy.Lisle)
PLOT CONFIG = PDF(Gray_Large).plt
PLOT SCALE = 1:50
PLOT DATE = 3/18/2011

DESIGNED - D.DOERFLER
DRAWN - D.DOERFLER
CHECKED - A.JAMES
DATE - 12/3/2010

REVISED -
REVISED -
REVISED -
REVISED -



ILLINOIS ROUTE 53
DRAINAGE DETAILS

SCALE: NONE SHEET DRA-34 OF 36 STA. TO STA.

F.A. RTE.	SECTION	COUNTY	TOTAL SHEETS	SHEET NO.
2578	532B	DUPAGE	781	289
CONTRACT NO. 60477				
FED. ROAD DIST. NO. [ILLINOIS] FED. AID PROJECT				

q:\dot\9356_e0_11531\drawings\cadd sheets\019139797-sht-drain_28.dgn