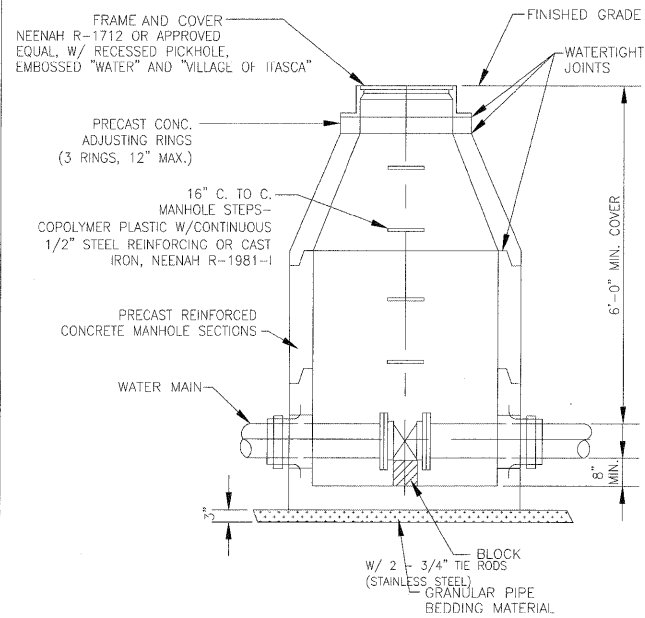


VILLAGE OF ITASCA, ILLINOIS

- NOTES:
 1. CONCENTRIC CONE REQUIRED
 2. USE 4'-0" DIAMETER FOR WATER VALVE SIZES 8" AND SMALLER 5'-0" OR LARGER FOR SIZES LARGER THAN 8"

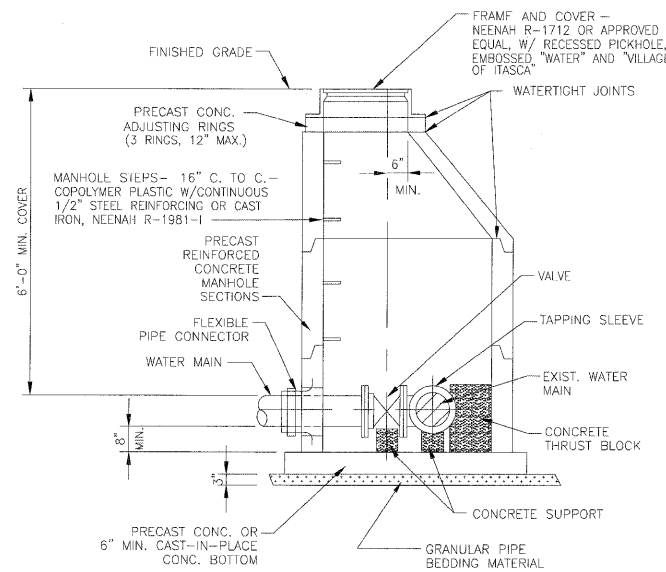


WATER VALVE VAULT DETAIL

NO SCALE

VILLAGE OF ITASCA, ILLINOIS

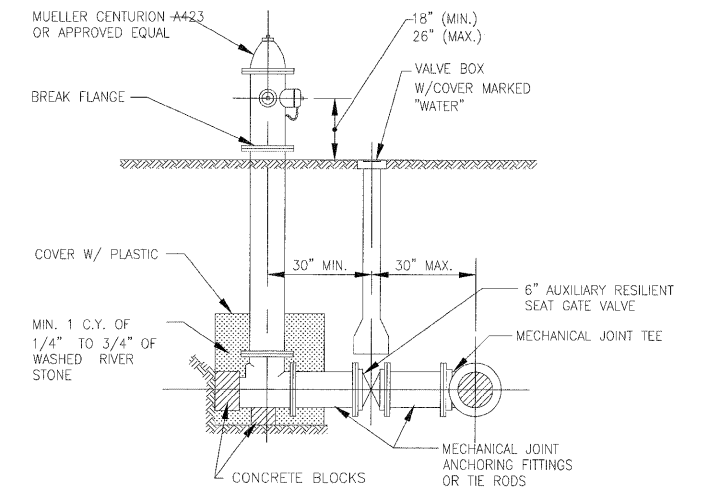
- NOTES:
 1. ECCENTRIC CONE REQUIRED
 2. USE 4'-0" DIAMETER FOR WATER MAIN SIZES 4" THRU 10", USE 5'-0" DIAMETER FOR WATER MAIN SIZES 12" THRU 20", USE 6'-0" DIAMETER FOR WATER MAIN SIZES 20" OR GREATER.



PRESSURE CONNECTION VALVE VAULT DETAIL

NO SCALE

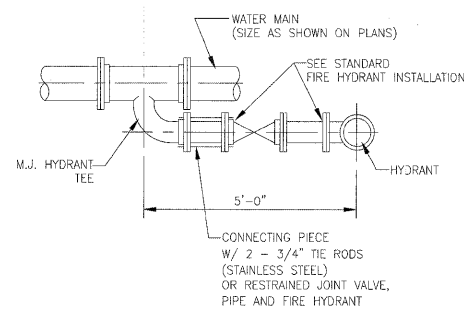
VILLAGE OF ITASCA, ILLINOIS



FIRE HYDRANT INSTALLATION DETAIL

NO SCALE

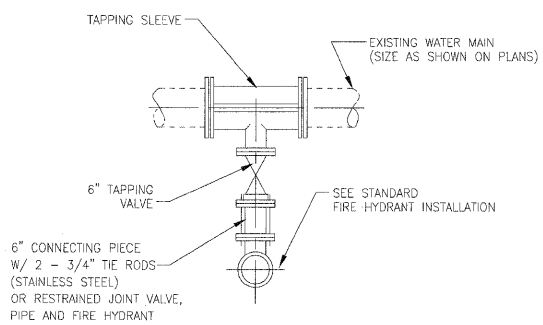
VILLAGE OF ITASCA, ILLINOIS



FIRE HYDRANT - 90° CONNECTION

(FOR WATER MAIN SIZES 6" THROUGH 12")
NO SCALE

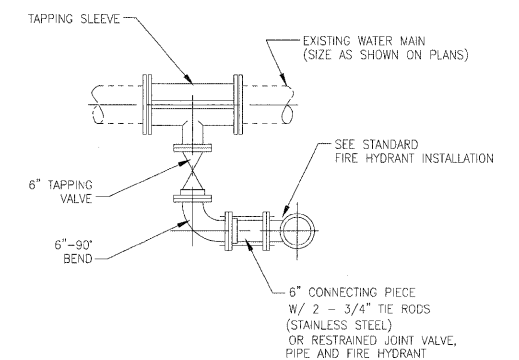
VILLAGE OF ITASCA, ILLINOIS



FIRE HYDRANT - PRESSURE TAP

NO SCALE

VILLAGE OF ITASCA, ILLINOIS



FIRE HYDRANT - 90° PRESSURE TAP

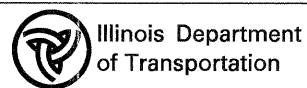
NO SCALE

DATE	
BY	
DESIGNED	
DRAWN	
CHECKED	
DATE	
BY	
NO.	

DATE	
BY	
DESIGNED	
DRAWN	
CHECKED	
DATE	
BY	
NO.	



USER NAME = (username)	DESIGNED - SMV	REVISED - 8-27-10 VILLAGE REVIEW
PLOT CONFIG = POF22X34.plt	DRAWN - LKB	REVISED -
PLOT SCALE = 1:1	CHECKED - SMV	REVISED -
PLOT DATE = 11/24/2010 9:34:51 AM	DATE - 7-30-10	REVISED -



ILLINOIS ROUTE 53
WATER AND SEWER REPLACEMENT DETAILS

SCALE: NONE SHEET NO. 07 STA. TO STA.

F.A.U. RTE.	SECTION	COUNTY	TOTAL SHEETS	SHEET NO.
2578	532B	DUPAGE	781	362
FED. ROAD DIST. NO.		ILLINOIS FED. AID PROJECT		
CONTRACT NO. 60477				