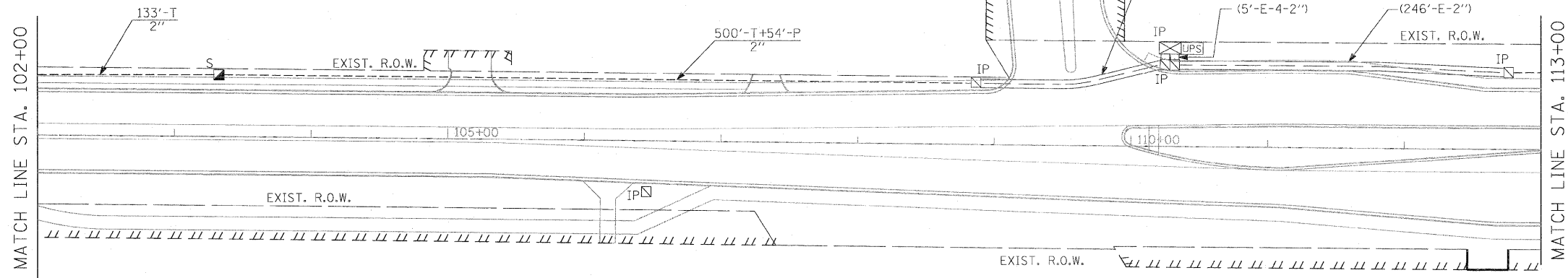


ILL. RTE. 53

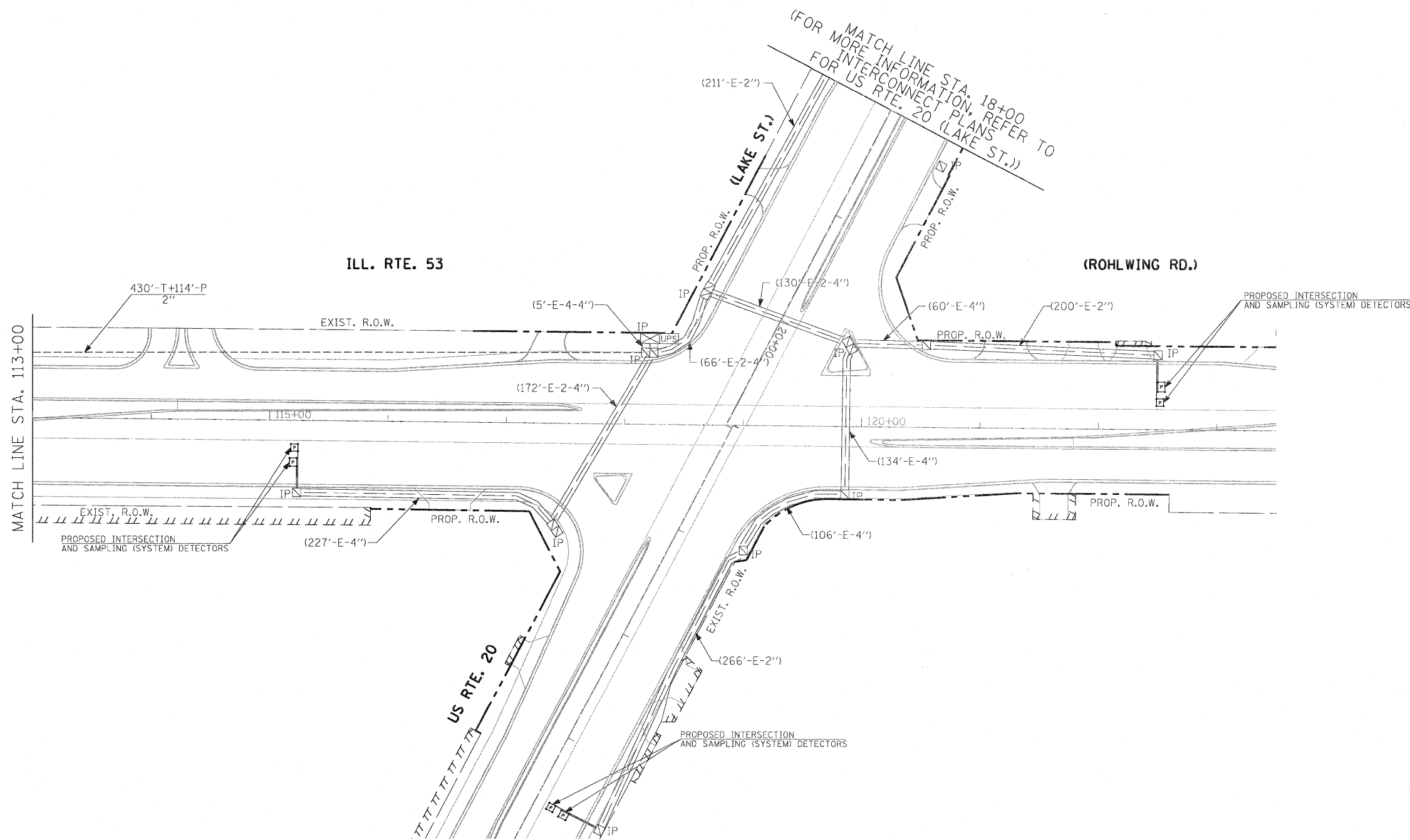
MALL ENTRANCE

ROHLWING RD.)



ILL. RTE. 53

(ROHLWING RD.)



MATCH LINE STA. 18+00
 (FOR MORE INFORMATION, REFER TO
 INTERCONNECT PLANS
 FOR US RTE. 20 (LAKE ST.))

THE TRAFFIC SIGNAL CONTROL
 EQUIPMENT FOR THIS PROJECT
 SHALL BE "ECONOLITE" TO MATCH
 THE EXISTING ADJACENT SYSTEM.

FILE NAME =	USER NAME = #USER#	DESIGNED - PKG	REVISED -	STATE OF ILLINOIS DEPARTMENT OF TRANSPORTATION	PROPOSED INTERCONNECT PLAN				F.A.P. RTE.	SECTION	COUNTY	TOTAL SHEETS	SHEET NO.
#FILE#		DRAWN - MAA, E	REVISED -		ILL. RTE. 53 (ROHLWING RD.) FROM N. MITCHELL CT. TO US RTE. 20 (LAKE STREET)				2578	532B	DuPage	781	540
		CHECKED - PKG, E	REVISED -		(SHEET 3 OF 3)				CONTRACT NO. 60477				
		DATE - 5/10/10	REVISED -		SCALE: 1"=50'	SHEET NO. OF SHEETS	STA. TO STA.	FED. ROAD DIST. NO. - ILLINOIS FED. AID PROJECT					