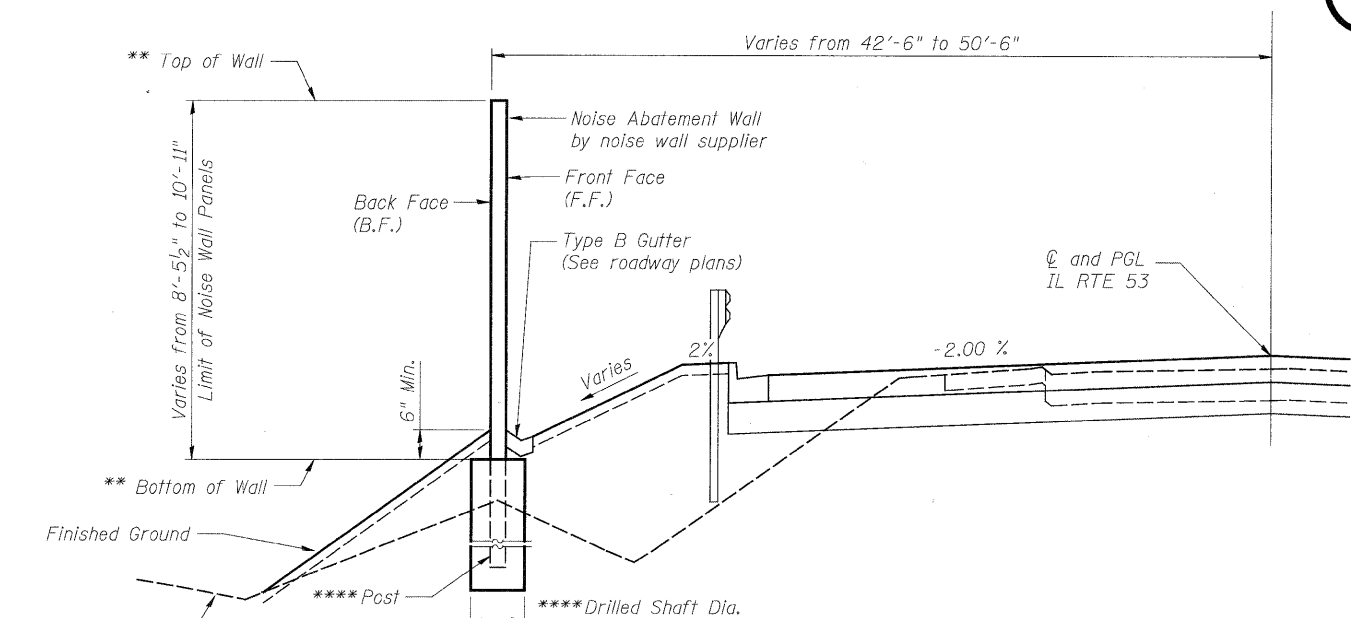


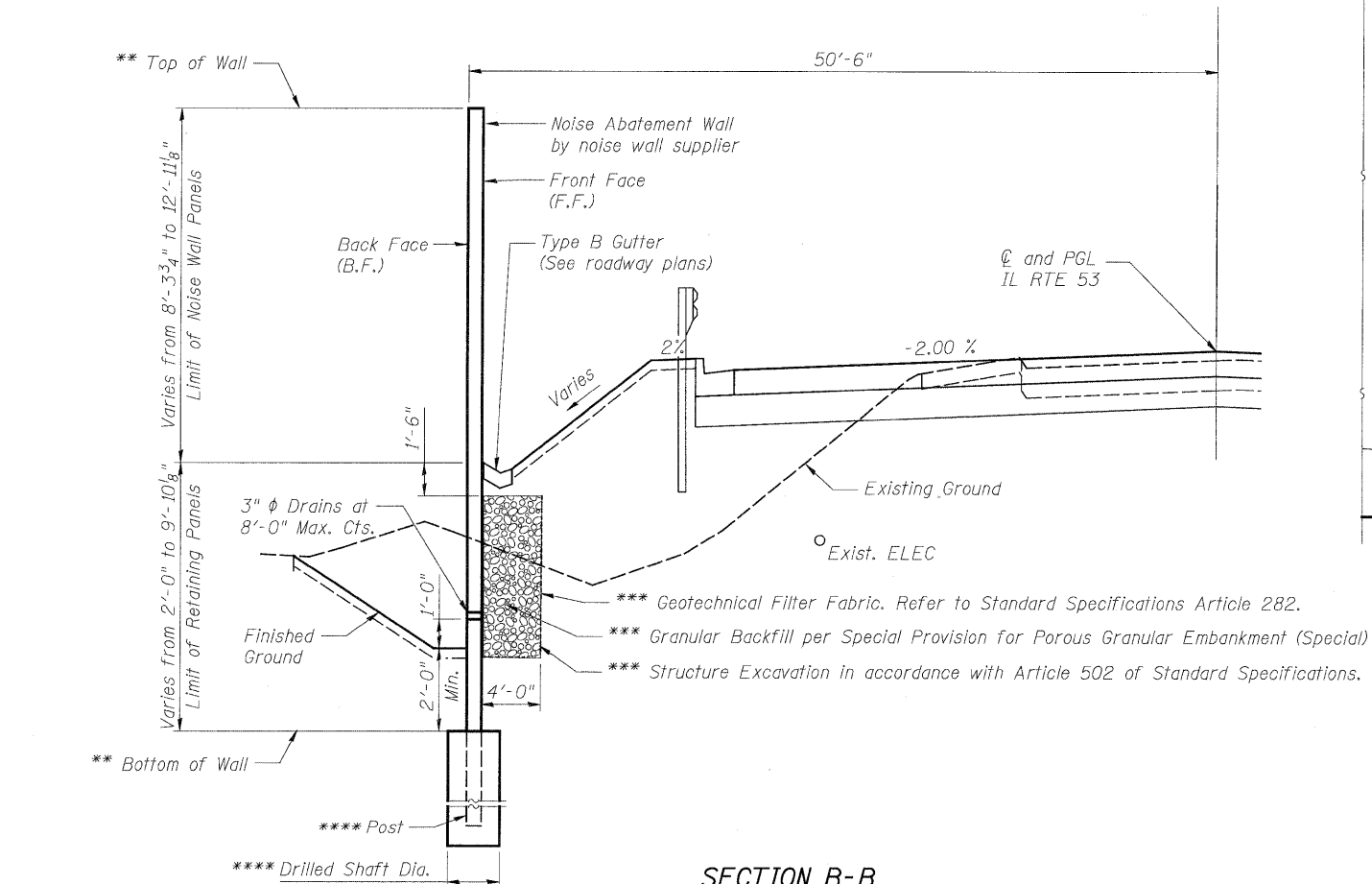
NOTES:

- For additional details of Box Culvert, see Sheet S7 of S25.
- Work wall elevations with Cross Section Sheets within this plan set.



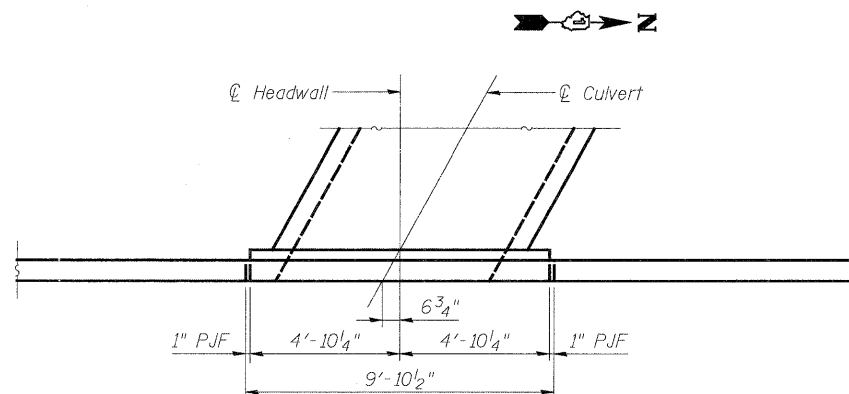
SECTION A-A

(Typical Wall Section from Sta. 172+00 to Sta. 175+50)

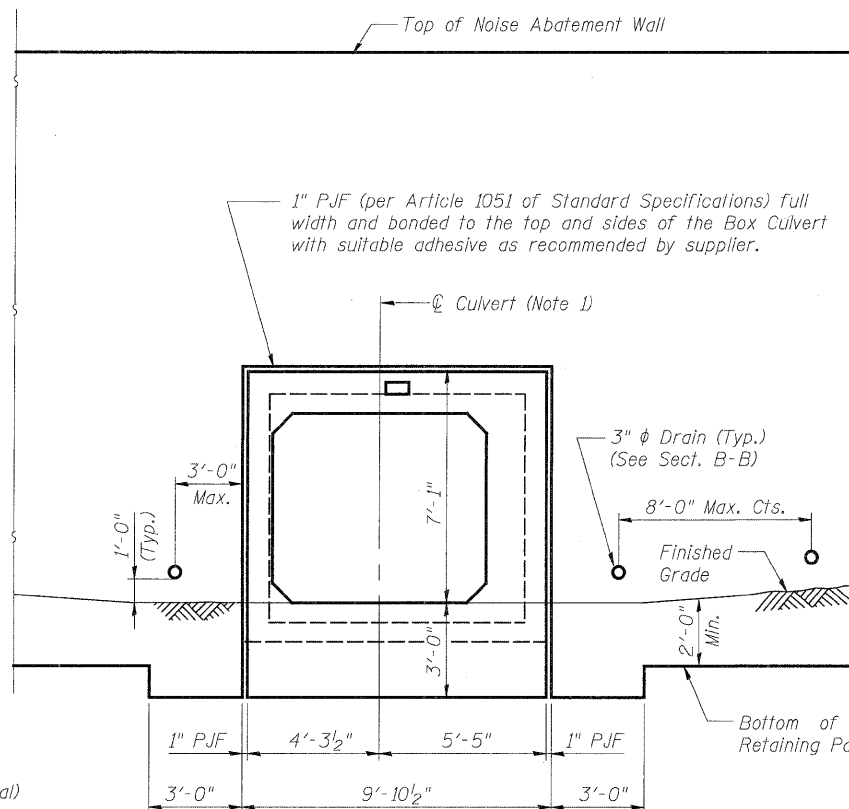


SECTION B-B

(Typical Wall Section from Sta. 175+50 to Sta. 178+00)



TOP PLAN



END ELEVATION

BOX CULVERT END SECTION DETAIL

TABLE OF WALL ELEVATIONS

Station	Existing Grade	Finished Grade (F.F.)	Finished Grade (B.F.)	Theoretical Top of Wall	Theoretical Bottom of Wall
172+00.00	694.65	696.02	696.02	704.16	695.52
172+25.00	694.32	696.30	696.30	704.40	695.80
172+50.00	692.50	696.58	696.58	704.63	696.08
172+70.00	688.15	696.80	696.80	704.82	696.30
173+00.00	692.48	697.14	697.14	705.10	696.64
173+25.00	692.50	696.77	696.77	705.34	696.27
173+43.65	692.51	696.49	696.49	705.52	695.99
173+75.00	692.58	696.02	696.02	705.81	695.52
174+00.00	692.84	695.64	695.64	706.05	695.14
174+25.00	693.10	695.88	695.88	706.29	695.38
174+43.65	693.12	696.05	696.05	706.46	695.55
174+75.00	692.87	696.35	696.35	706.76	695.85
175+00.00	692.69	696.59	696.59	707.00	696.09
175+25.00	692.81	696.83	696.83	707.23	696.33
175+50.00	692.92	697.06	697.06	707.47	696.56
175+75.00	693.04	696.64	696.64	707.71	696.92
176+00.00	692.71	696.22	696.22	707.94	688.78
176+25.00	692.97	696.22	696.22	708.18	688.46
176+50.00	693.23	696.22	696.22	708.42	688.14
176+75.00	693.18	696.22	689.81	708.65	687.81
177+00.00	693.43	696.22	689.49	708.89	687.49
177+25.00	694.85	696.22	689.38	709.12	686.38
177+50.00	696.29	697.87	693.16	709.36	691.16
177+75.00	697.96	699.69	697.34	709.60	695.34
178+00.00	700.51	701.52	701.52	709.83	699.52

BILL OF MATERIAL

ITEM	UNIT	TOTAL
* Noise Abatement Wall, Ground Mounted	Sq Ft	7,952

\* See Special Provisions

DESIGNED -	A.Y.
CHECKED -	R.L.D.
DRAWN -	A.Y.
CHECKED -	R.L.D.

\*\* Wall limits for noise wall panels and retaining wall panels including top of wall and bottom of wall shall be determined by the Contractor. Theoretical elevations for top of wall and bottom of wall are given in Table of Wall Elevations.

\*\*\* Cost of Structure Excavation, Geotechnical Filter Fabric, and Granular Backfill will be included with the item "Noise Abatement Wall, Ground Mounted".

\*\*\*\* Type, size, and spacing of post and drilled shaft including shaft diameter, embedment depth, top of shaft elevation, and reinforcement details shall be determined by the Contractor during construction.

PATRICK ENGINEERING INC.  
4970 VARSITY DRIVE  
LISLE, IL 60532  
patrickengineering.com

SHEET NO.	F.A.P RTE.	SECTION	COUNTY	TOTAL SHEETS	SHEET NO.
S12 OF S25	2578	532B	DUPAGE	781	591
CONTRACT NO. 60477					
12/3/2010		ILLINOIS FED. AID PROJECT			