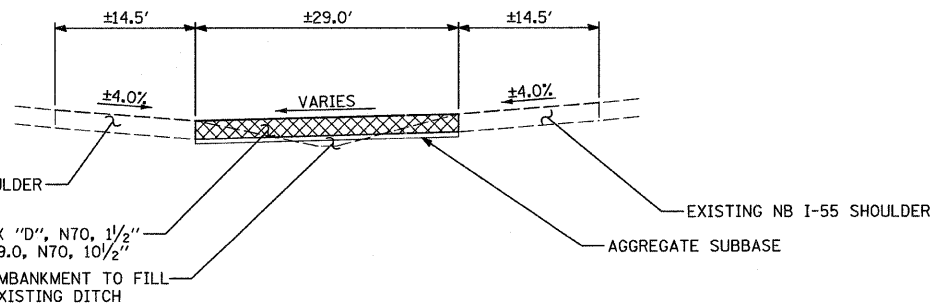
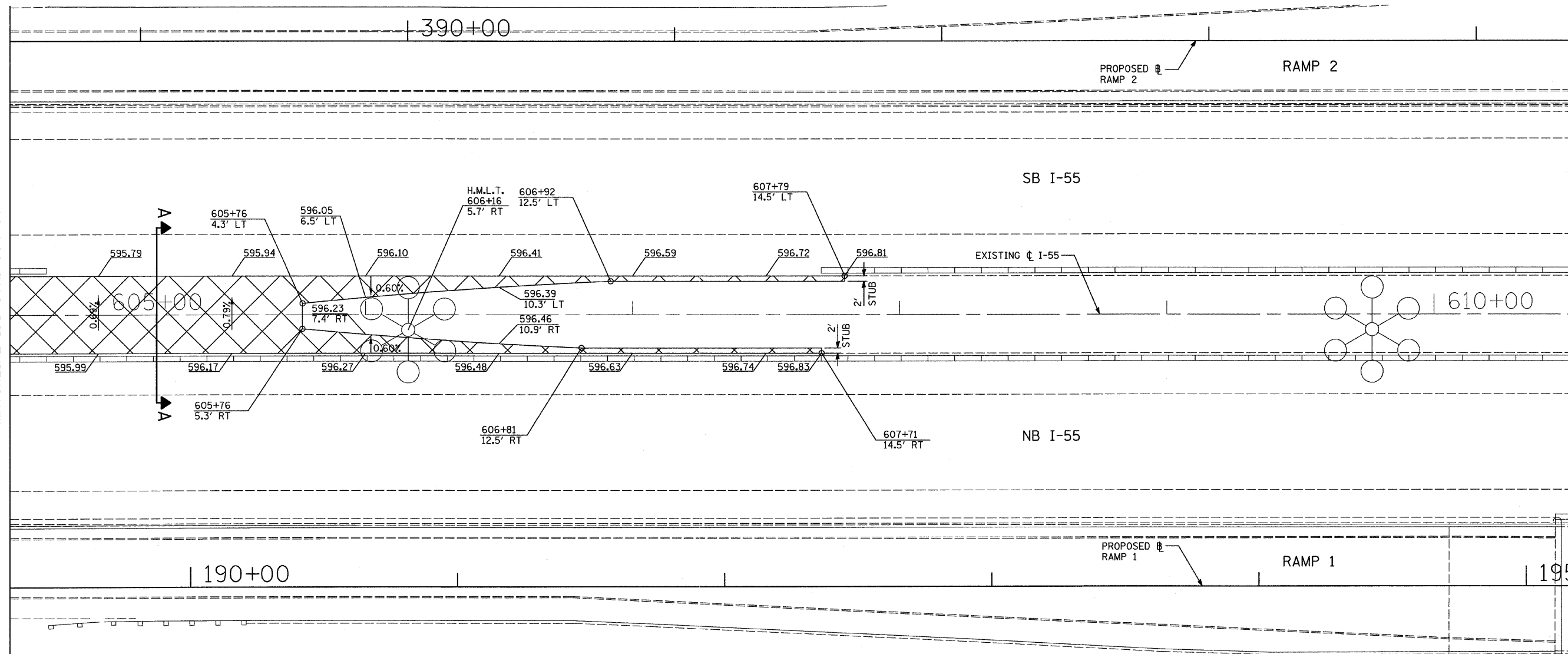
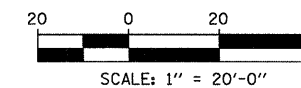


MATCHLINE I55 STA. 604+67



A-A: CROSSOVER TYPICAL SECTION

NOTE: SEE M.O.T. - I-55 GENERAL NOTE 3, REGARDING OPTIONS FOR TEMPORARY PAVEMENT (INTERSTATE) AND AGGREGATE SUBBASE.



<b>TYLIN INTERNATIONAL</b>	USER NAME = #USER#	DESIGNED - JDF	REVISED -
	PLOT SCALE = #SCALE#	DRAWN - JDF	REVISED -
	PLOT DATE = 4/28/2011	CHECKED - JPM	REVISED -
		DATE - 03/25/2011	REVISED -

**STATE OF ILLINOIS  
DEPARTMENT OF TRANSPORTATION**

**CENTRAL AVENUE OVER I-55  
MAINTENANCE OF TRAFFIC - I-55 WEST CROSSOVER DETAILS**

F.A.I. RTE.	SECTION	COUNTY	TOTAL SHEETS	SHEET NO.
I-55	0711.2R & 1011.1BR	COOK	741	75
FED. ROAD DIST. NO.			ILLINOIS FED. AID PROJECT	
			CONTRACT NO. 60999	

SCALE: 1"=20' SHEET NO. 2 OF 2 SHEETS STA. 604+67 TO STA. 607+79

P:\01345\road\55motML-temp pave det2.dgn 4/28/2011 12:30:08 PM