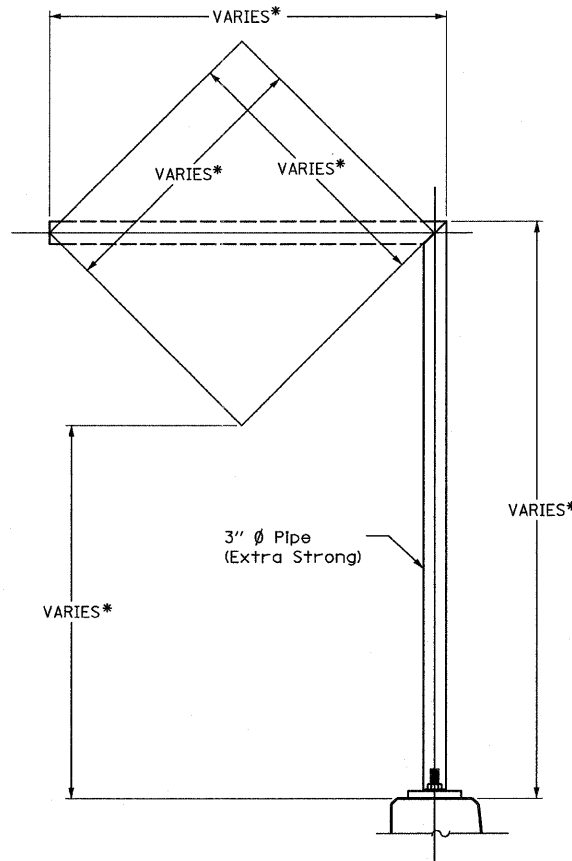
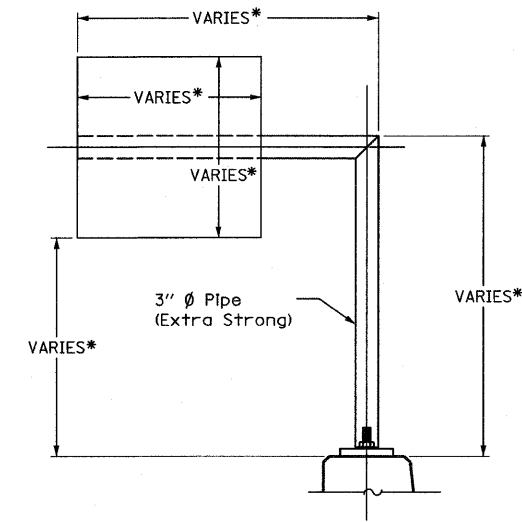


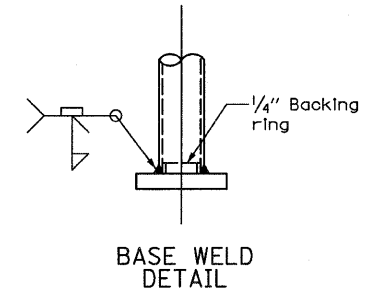
EXISTING STRUCTURE MOUNTING



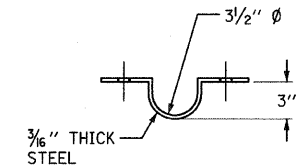
PROPOSED STRUCTURE MOUNTING



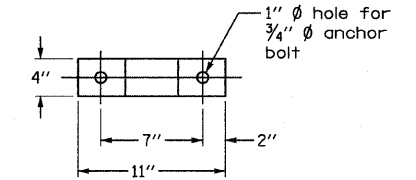
PROPOSED STRUCTURE MOUNTING



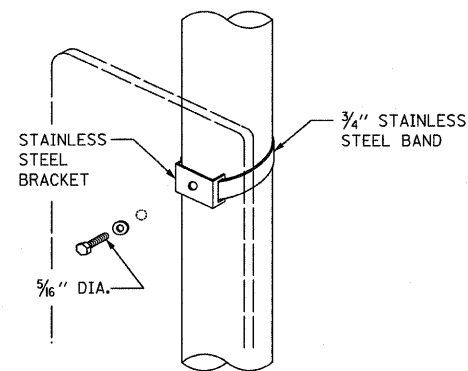
BASE WELD DETAIL



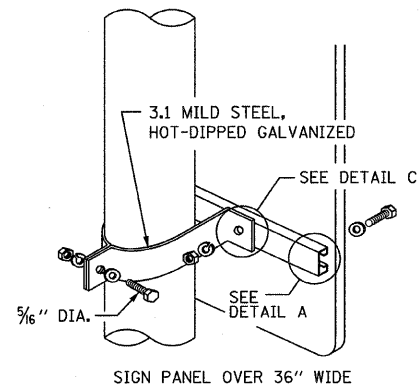
CLAMP



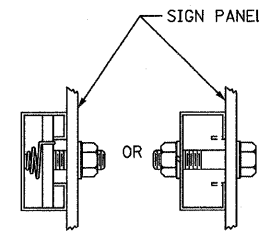
** Cost of procurement and installation of bolts is included with respective sign assembly



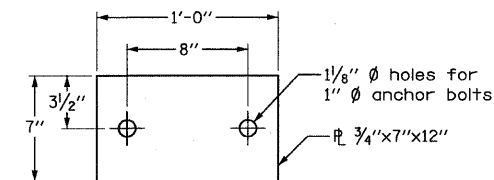
SIGN PANEL 36" WIDE OR LESS



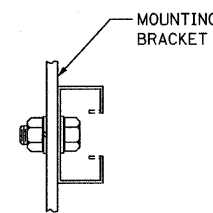
LIGHT OR SIGNAL STANDARDS



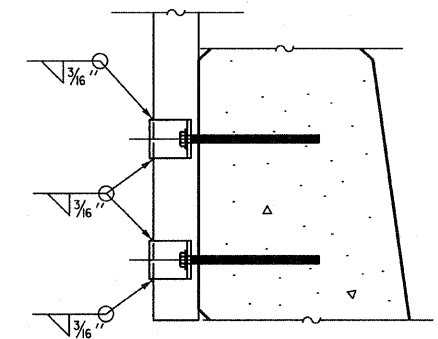
DETAIL A



BASE PLATE



DETAIL C



CLAMP WELD

NOTES:

- COST OF ANCHOR BOLTS FOR PROPOSED PARAPET SIGN MOUNT IS INCLUDED WITH CONCRETE SUPERSTRUCTURE.
- FOR SIGN PANEL INFORMATION SEE SHEET 139 OF 696.
- BASE PLATE TO BE ASTM A709 GRADE 50.
- CLAMPS TO BE E70XX STEEL.
- NUTS, BOLTS, AND WASHERS SHALL BE GALVANIZED PER ASTM A153 CLASS C OR D DEPENDING ON SIZE.
- BASE PLATE, CLAMPS, AND STRUCTURAL PIPE SHALL BE GALVANIZED PER ASTM A123.

*SEE SIGN SCHEDULE FOR DIMENSIONS

TYLIN INTERNATIONAL	USER NAME = #USER#	DESIGNED - MAU/RLB	REVISED -
	PLOT SCALE = #SCALE#	DRAWN - MAU/RLB	REVISED -
	PLOT DATE = 4/28/2011	CHECKED -	REVISED -
		DATE - 03/25/2011	REVISED -

STATE OF ILLINOIS
DEPARTMENT OF TRANSPORTATION

CENTRAL AVENUE OVER I-55
BREAK-AWAY TUBULAR STEEL SIGN POSTS AND DETAILS

SCALE: NONE SHEET NO. 2 OF 2 SHEETS STA. TO STA.

F.A.I. RTE.	SECTION	COUNTY	TOTAL SHEETS	SHEET NO.
I-55	0711.2R & 1011.1BR	COOK	741	166
FED. ROAD DIST. NO. ILLINOIS FED. AID PROJECT			CONTRACT NO. 60999	