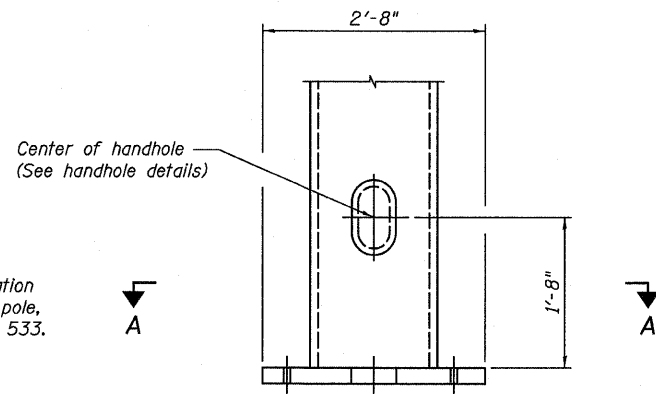
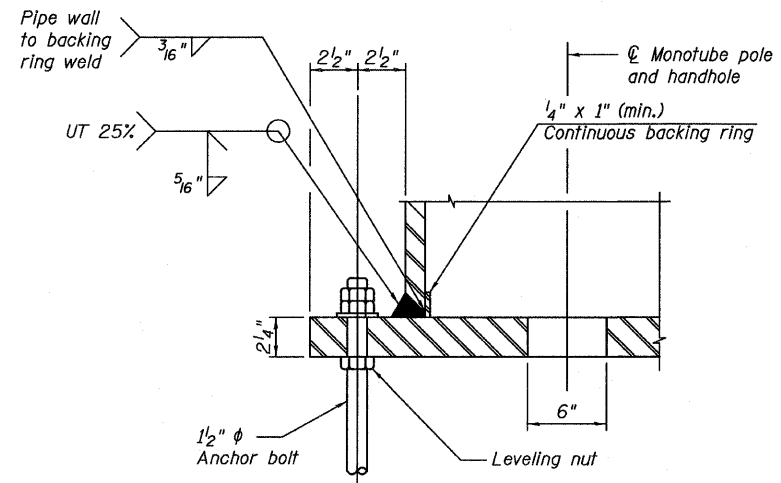


STATE OF ILLINOIS
DEPARTMENT OF TRANSPORTATION

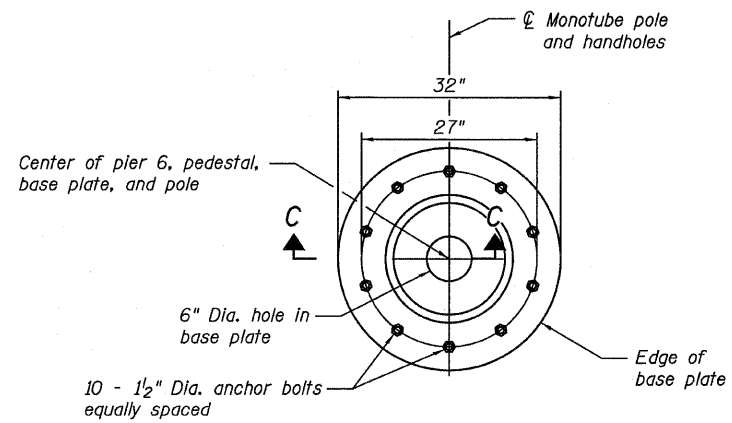
NOTE:
For additional information
at base of monotube pole,
see detail 1 on Sheet 533.



BASE PLATE AND ANCHORAGE ELEVATION



SECTION C-C



SECTION D-D

TYLIN INTERNATIONAL

	DESIGNED - MAU	REVISIONS	
		NAME	DATE
CHECKED - AMD,			
DRAWN - MAU			
CHECKED - AMD,			
DATE - 03/25/2011			

SHEET NO.	F.A.I. RTE.	SECTION	COUNTY	TOTAL SHEETS	SHEET NO.
SHEETS					
CONTRACT NO. 60999					
FED. ROAD DIST. NO. 1 ILLINOIS FED. AID PROJECT					