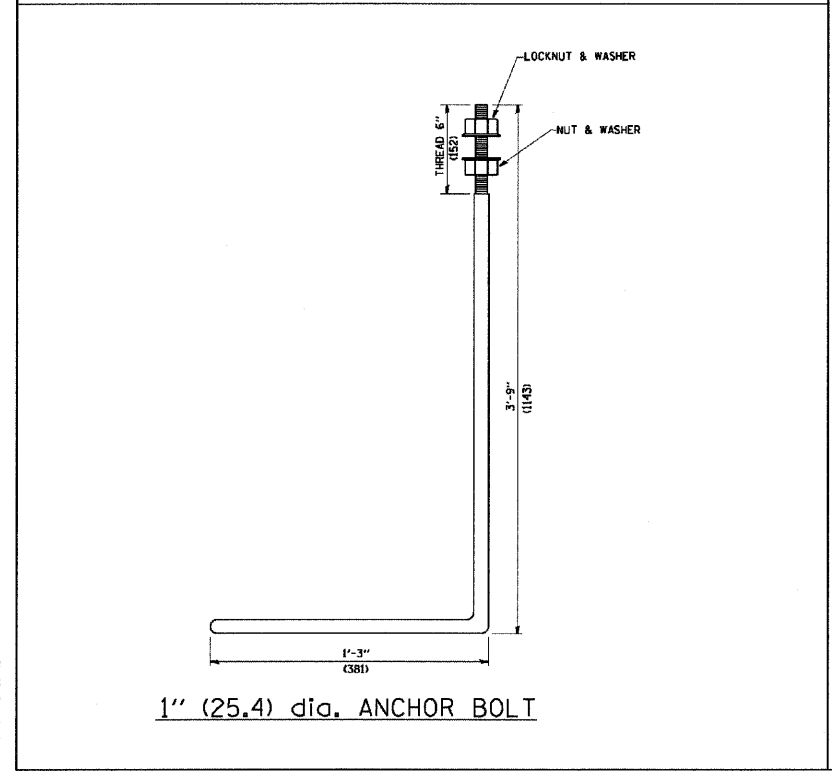
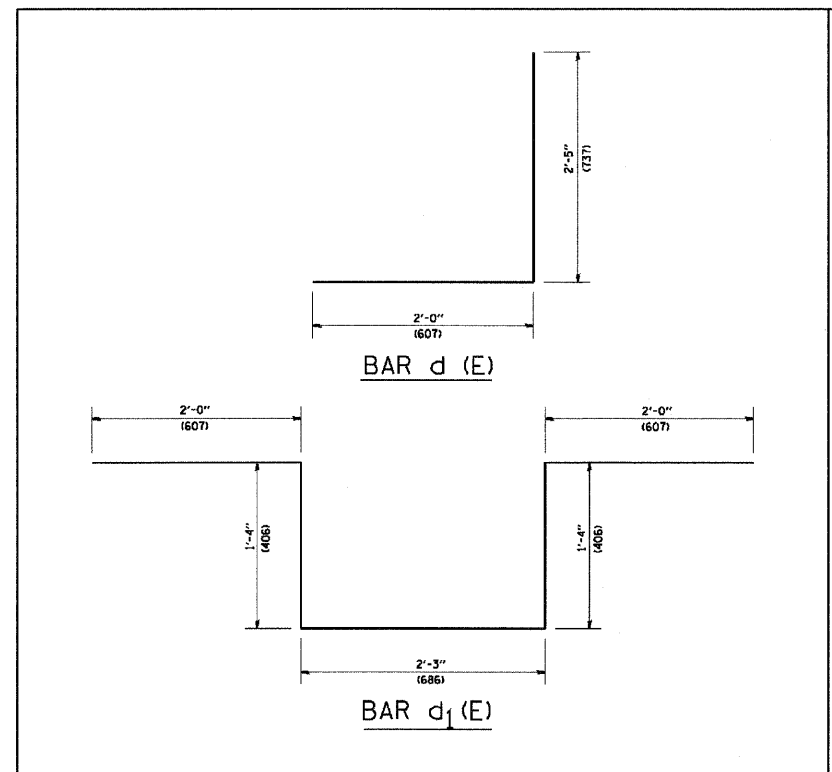
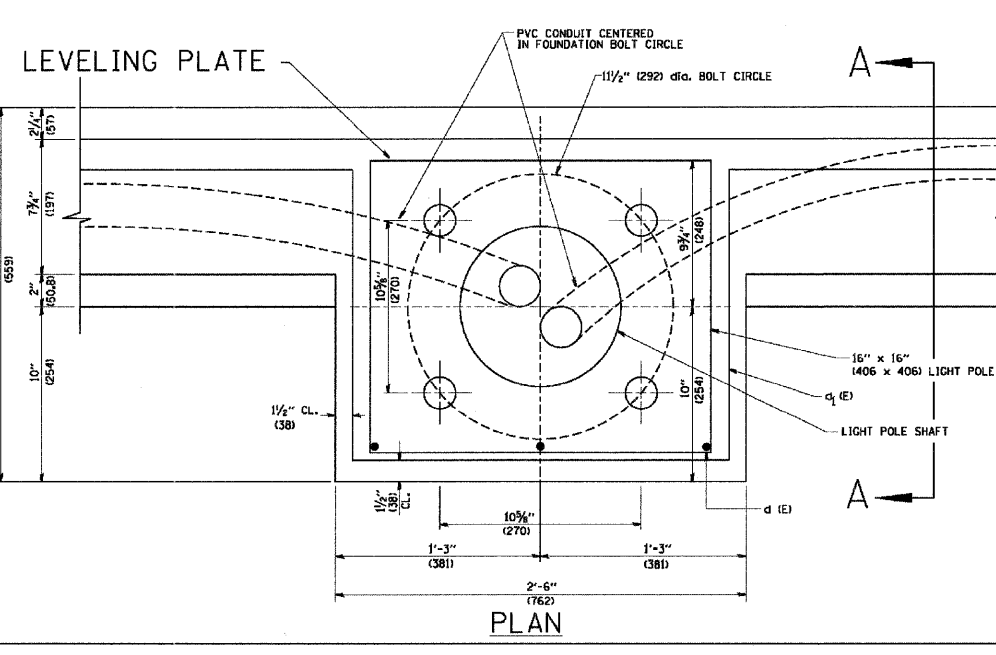
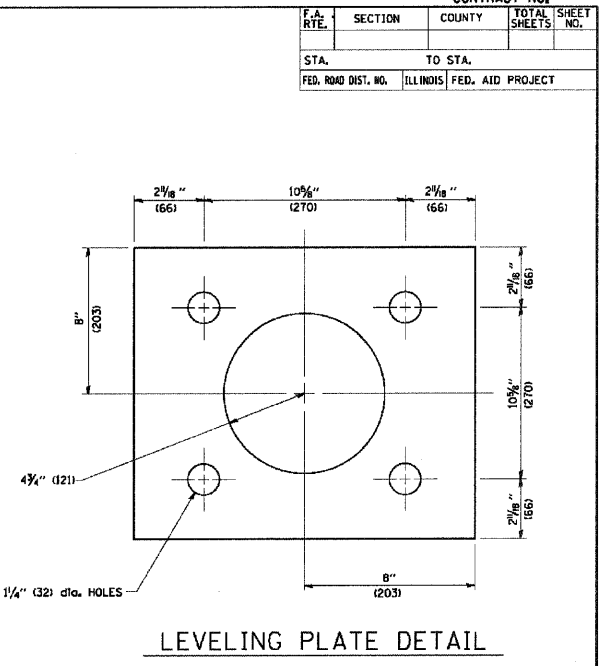
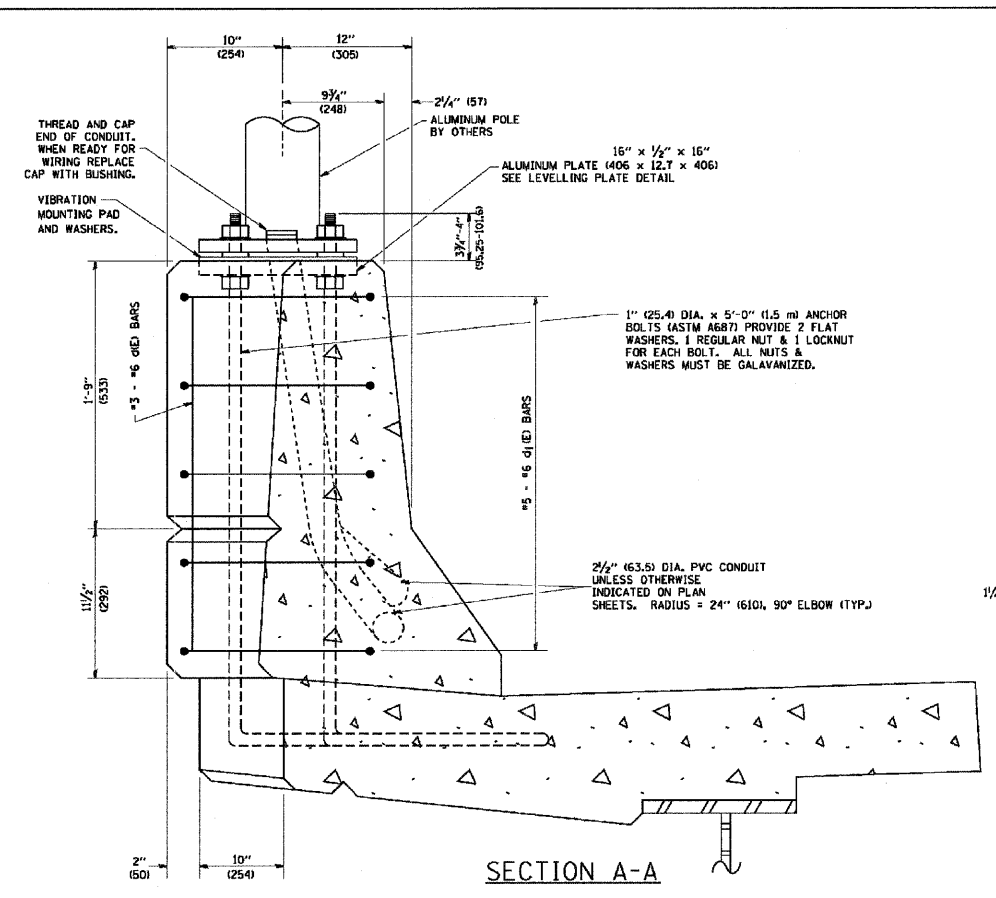


J:\155\ dgn\160999-sht-details12.dgn 2:06:23 PM 3/22/2011



PLOT DATE = 3/22/2011  
 FILE NAME = s:\projects\160999\160999-sht-details12.dgn  
 PLOT SCALE = 1/8" = 1'-0"  
 PLOT NAME = 160999-12



- NOTES**
1. ALL DIMENSIONS ARE IN INCHES (MILLIMETERS) UNLESS OTHERWISE SHOWN.
  2. LEVEL LIGHT POLE PLATES, USING THE FLANGE NUTS, PRIOR TO POURING THE PARAPET WALL. THE TOP OF THE PLATE SHALL BE AT THE SAME ELEVATION AS THE FINISHED CONCRETE PARAPET.
  3. THE COST OF ANCHOR BOLTS, CONDUIT, LEVELLING PLATE AND FOUNDATION IS INCLUDED IN THE COST OF THE BRIDGE STRUCTURE.

REVISIONS	
NAME	DATE
	06/28/07

BE-329  
 ILLINOIS DEPARTMENT OF TRANSPORTATION  
 LIGHT POLE MOUNTED  
 ON CONCRETE PARAPET WALL  
 1 1/2" (292 mm) BOLT CIRCLE  
 SCALE: NONE  
 DRAWN BY  
 CHECKED BY  
 BE-329

**SINGH**  
 SINGH & ASSOCIATES, INC.  
 CONSULTING ENGINEERS

300 W. ADAMS ST.  
 CHICAGO, IL 60606  
 TEL: (312) 629-0240  
 FAX: (312) 629-8449

DESIGNED - MK	REVISOR -
DRAWN - YJ	REVISOR -
CHECKED - GR	REVISOR -
DATE - 3-25-2011	REVISOR -

STATE OF ILLINOIS  
 DEPARTMENT OF TRANSPORTATION

CENTRAL AVENUE OVER I-55  
 IDOT LIGHTING STANDARD DETAILS  
 SCALE: 1" = 20'  
 SHEET NO. OF SHEETS STA. TO STA.

F.A. RTE.	SECTION	COUNTY	TOTAL SHEETS	SHEET NO.
55	9(H, HB & SB)R-1	COOK	741	220
CONTRACT NO. 60999				
FED. ROAD DIST. NO.	ILLINOIS FED. AID PROJECT			