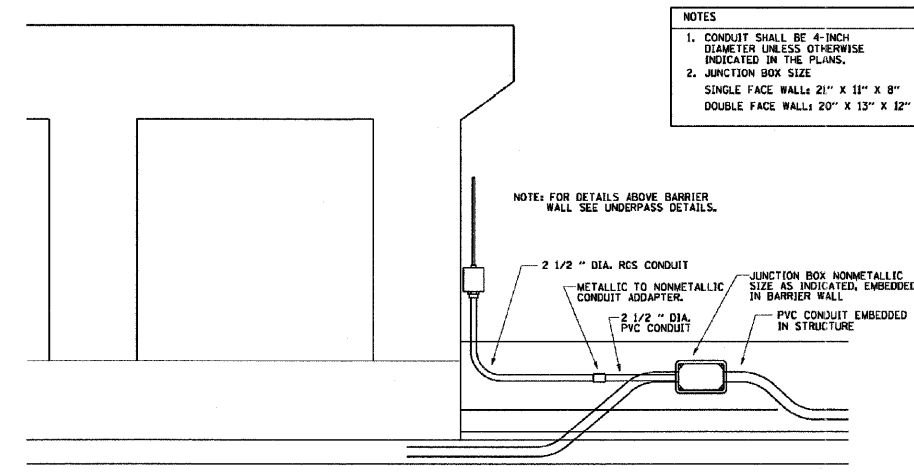
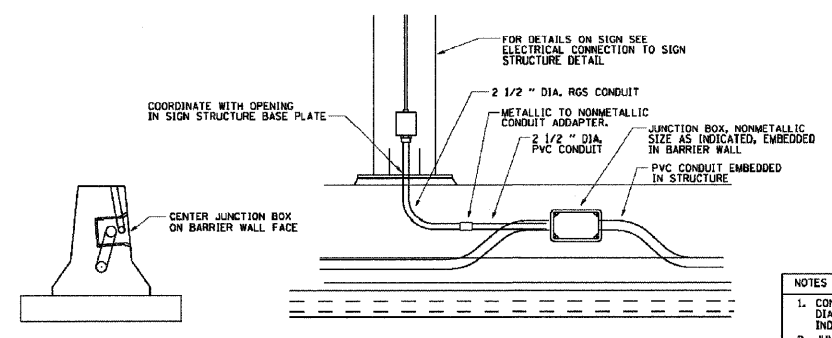


J:\155\dgn\0160999-sht-details16.dgn

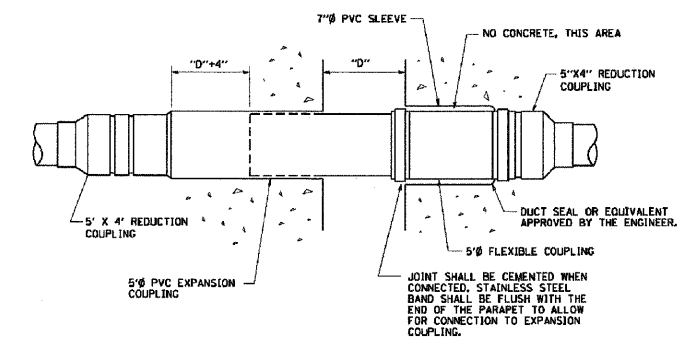
CONTRACT NO.			
F.A. RTE.	SECTION	COUNTY	TOTAL SHEET NO.
STA.	TO STA.		
FED. ROAD DIST. NO.	ILLINOIS	FED. AID PROJECT	



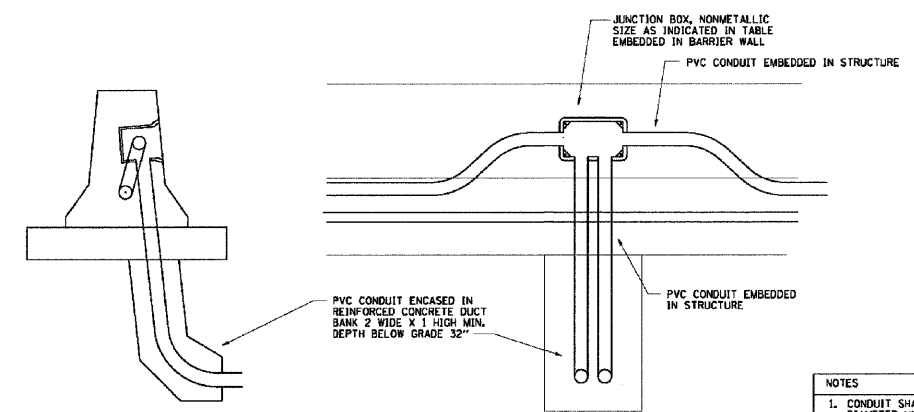
ED - BWD  
ELECTRIC CONNECTION TO UNDERPASS LIGHTING



ED - SGN  
JUNCTION BOX EMBEDDED IN BARRIER WALL FOR SIGN LIGHTING



INSTALLATION OF CONDUIT  
IN BRIDGE PARAPET EXPANSION JOINT  
(N.T.S.)



ED - BW  
JUNCTION BOX EMBEDDED IN BARRIER WALL

NOTES  
1. CONDUIT SHALL BE 4-INCH DIAMETER UNLESS OTHERWISE INDICATED IN THE PLANS.  
2. JUNCTION BOX SIZE  
SINGLE FACE WALL: 21" X 11" X 8"  
DOUBLE FACE WALL: 20" X 13" X 12"

PLOT DATE = 2/20/2011  
PLOT SCALE = 1/8" = 1'-0"  
PLOT USER = gajindant

REVISIONS		ILLINOIS DEPARTMENT OF TRANSPORTATION	
NAME	DATE		
CREATED	01/20/2009	MISC. ELECTRICAL DETAILS, SHEET B J BOX EMBEDDED IN BARRIER WALL - INSTALLATION OF CONDUIT IN BRIDGE PARAPET EXPANSION JOINT - ELECTRIC CONNECTION TO UNDERPASS LIGHTING	
		SCALE: NONE	DRAWN BY
			CHECKED BY

BE-703

**SINGH** 300 W. ADAMS ST.  
CHICAGO, IL 60606  
SINGH & ASSOCIATES, INC.  
CONSULTING ENGINEERS

USER NAME = #USER#  
DESIGNED - MK  
DRAWN - YJ  
CHECKED - GR  
DATE - 3-25-2011

REVISIONS  
REVISED -  
REVISED -  
REVISED -  
REVISED -

STATE OF ILLINOIS  
DEPARTMENT OF TRANSPORTATION

CENTRAL AVENUE OVER I-55  
IDOT LIGHTING STANDARD DETAILS  
SCALE: 1" = 20'  
SHEET NO. OF SHEETS STA. TO STA.

F.A. RTE.	SECTION	COUNTY	TOTAL SHEET NO.
55	90H, HB & SB/R-1	COOK	741 224
CONTRACT NO. 60999			
FED. ROAD DIST. NO.	ILLINOIS	FED. AID PROJECT	